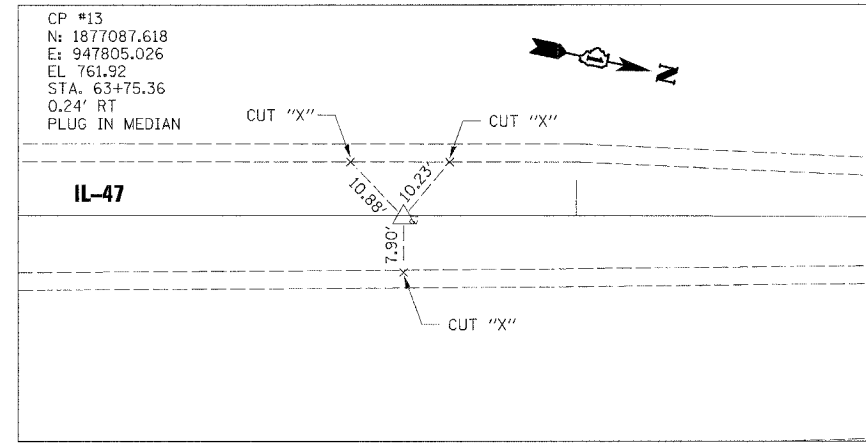
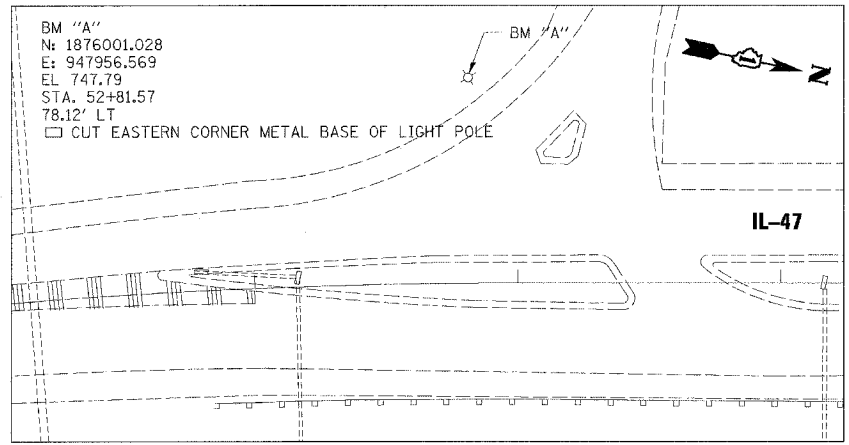
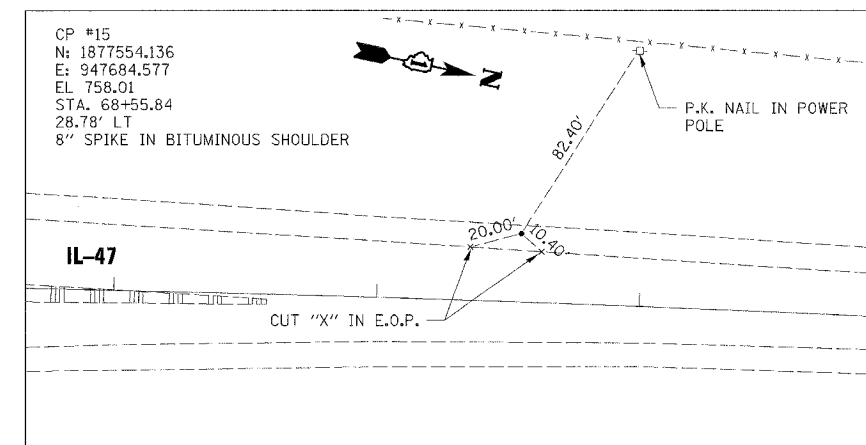
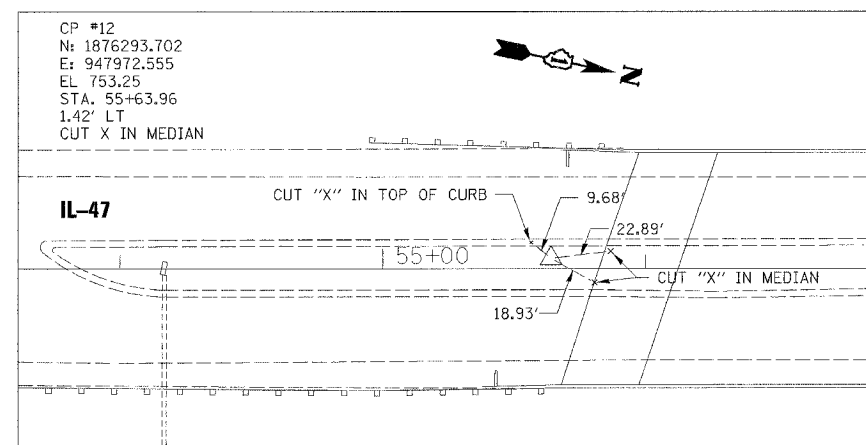
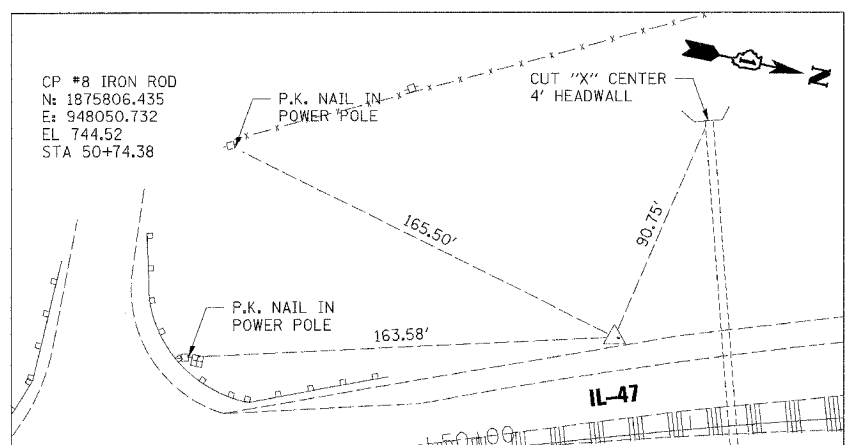
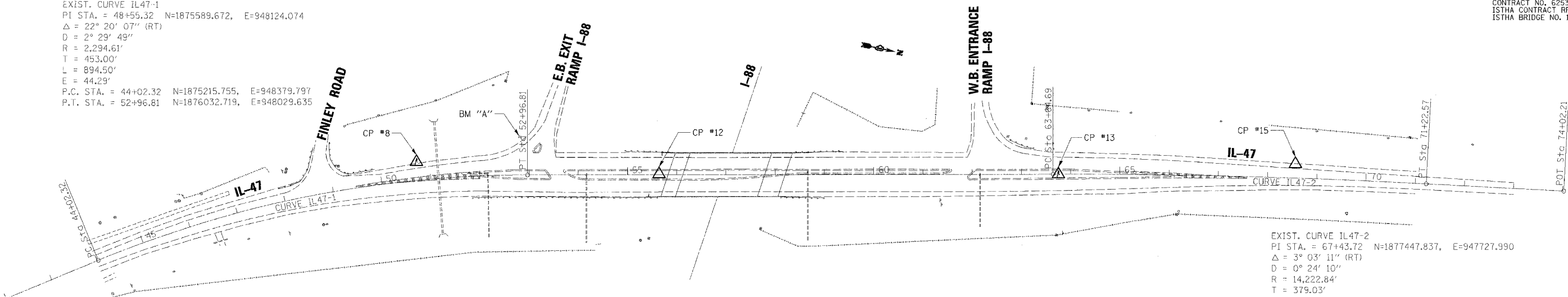


F.A.P. RTE.	SECTION	COUNTY	TOTAL SHEETS	SHEET NO.
326	E-8-4-B	KANE	62	8
FED. ROAD DIST. NO. 1		ILLINOIS	FED. AID PROJECT	

CONTRACT NO. 62531  
 ISTHA CONTRACT RR-02-5129  
 ISTHA BRIDGE NO. 1101

EXIST. CURVE IL47-1  
 PI STA. = 48+55.32 N=1875589.672, E=948124.074  
 $\Delta = 22^\circ 20' 07''$  (RT)  
 $D = 2^\circ 29' 49''$   
 $R = 2,294.61'$   
 $T = 453.00'$   
 $L = 894.50'$   
 $E = 44.29'$   
 P.C. STA. = 44+02.32 N=1875215.755, E=948379.797  
 P.T. STA. = 52+96.81 N=1876032.719, E=948029.635

EXIST. CURVE IL47-2  
 PI STA. = 67+43.72 N=1877447.837, E=947727.990  
 $\Delta = 3^\circ 03' 11''$  (RT)  
 $D = 0^\circ 24' 10''$   
 $R = 14,222.84'$   
 $T = 379.03'$   
 $L = 757.88'$   
 $E = 5.05'$   
 P.C. STA. = 63+64.69 N=1877077.135, E=947807.008  
 P.T. STA. = 71+22.57 N=1877822.221, E=947668.828



**rnjgroup**  
 Excellence through Ownership  
 200 West Front Street  
 Wheaton, IL 60187

REVISIONS	
NAME	DATE

ILLINOIS DEPARTMENT OF TRANSPORTATION  
 F.A.P. ROUTE 326 (IL 47)  
**ALIGNMENT, TIES & BENCHMARKS**  
 SCALE: VERT. 1" = 100'  
 HORIZ. 1" = 100'  
 DATE: MARCH 21, 2006  
 DRAWN BY: NEC  
 CHECKED BY: SPF

5/5/2006 3:28:24 PM K:\187552\CAD\Design\187552-Alignment\Ties.dgn