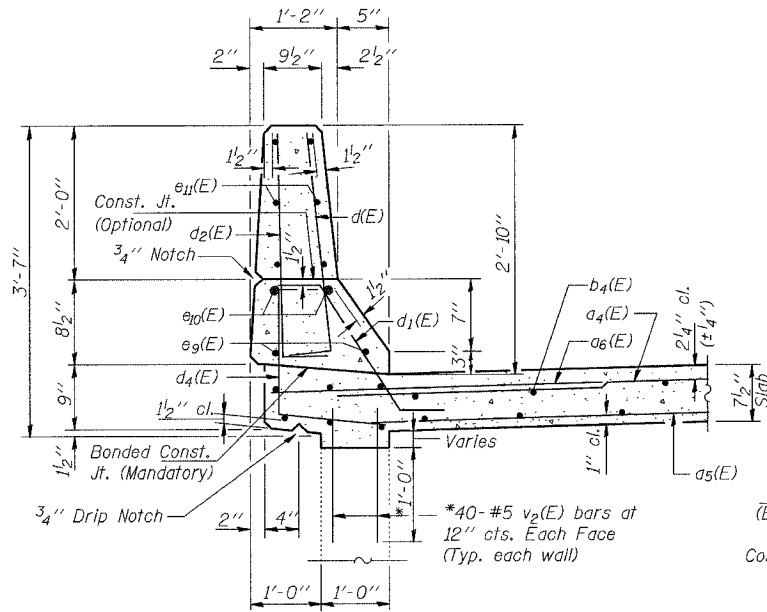
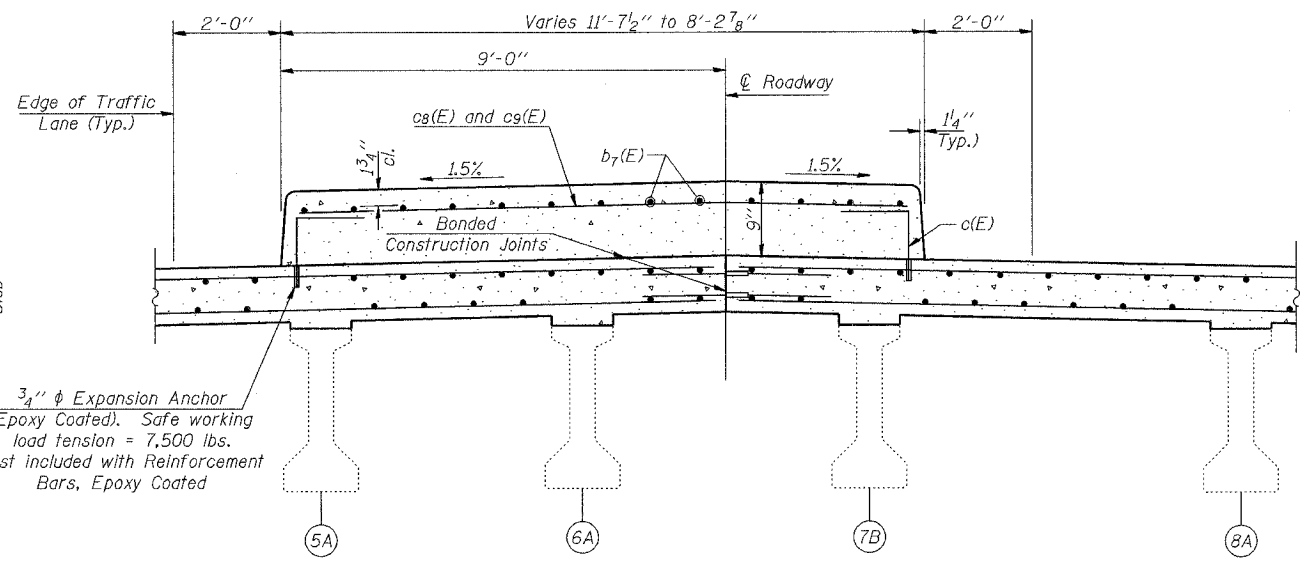


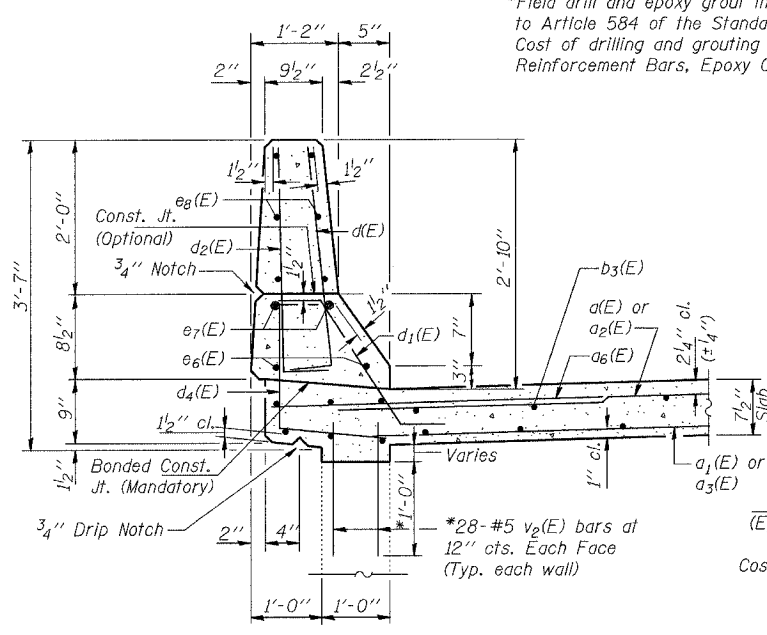
Contract #62531
ISTHA Contract #RR-02-5129
ISTHA Bridge No. 1101



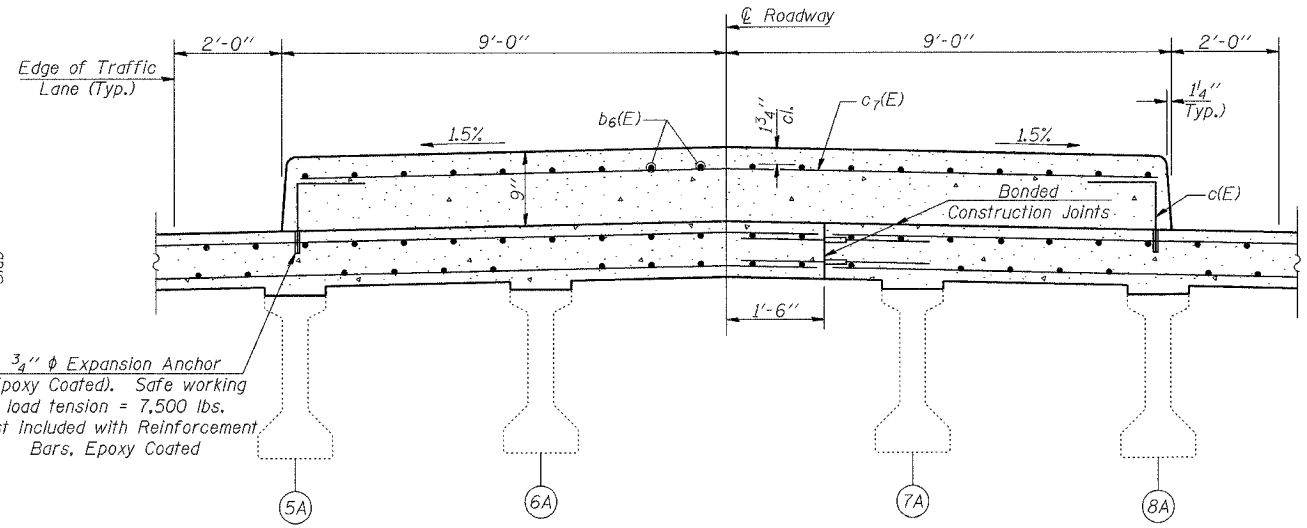
SECTION THRU PARAPET, SPAN #1



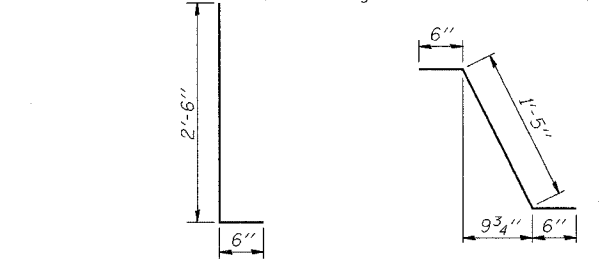
SECTION THRU MEDIAN, SPAN #1
(Looking North)



SECTION THRU PARAPET, SPAN #1

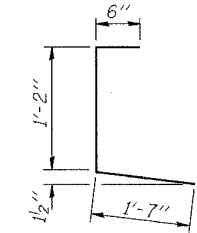


SECTION THRU MEDIAN, SPAN #4
(Looking North)

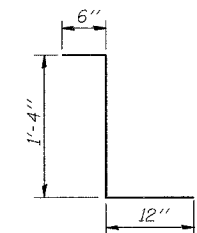


BARS d(E) & d2(E)

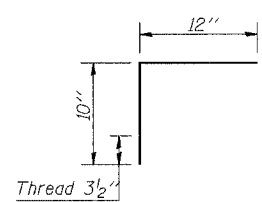
BAR d1(E)



BAR d4(E)



BAR d5(E)



BAR c(E)

TWO APPROACH SPANS
BILL OF MATERIAL

Bar	No.	Size	Length	Shape
d(E)	59	#5	43'-0"	—
a1(E)	40	#5	43'-0"	—
a2(E)	59	#5	46'-0"	—
a3(E)	40	#5	46'-0"	—
a4(E)	164	#5	44'-6"	—
a5(E)	110	#5	44'-6"	—
a6(E)	142	#6	4'-6"	—
a10(E)	4	#6	45'-7"	—
a11(E)	4	#6	48'-9"	—
a12(E)	8	#6	47'-2"	—
b3(E)	182	#5	29'-5"	—
b4(E)	182	#5	40'-11"	—
b6(E)	18	#5	29'-5"	—
b7(E)	12	#5	40'-11"	—
c(E)	142	#5	1'-10"	┌
c7(E)	30	#5	18'-6"	—
c8(E)	41	#5	8'-2"	—
c9(E)	40	#5	5'-4"	—
d(E)	156	#5	3'-0"	┌
d1(E)	144	#5	2'-5"	┌
d2(E)	156	#4	3'-0"	┌
d4(E)	156	#4	3'-3"	┌
d5(E)	12	#5	2'-10"	┌
e6(E)	4	#5	29'-5"	—
e7(E)	4	#8	29'-5"	—
e8(E)	24	#4	14'-7"	—
e9(E)	4	#5	40'-11"	—
e10(E)	4	#8	40'-11"	—
e11(E)	24	#4	20'-4"	—
v1(E)	182	#5	2'-6"	—
v2(E)	272	#5	1'-7"	—
Reinforcement Bars, Epoxy Coated		Pound	43,910	
Concrete Superstructure		Cu. Yd.	198.2	
Bar Splicers		Each	236	

Reinforcement bars designated (E) shall be epoxy coated.

<p>Excellence through Ownership</p> <p>200 West Front Street Wheaton, IL 60187</p>	ILLINOIS DEPARTMENT OF TRANSPORTATION
	VAULTED SPAN DETAILS IL RTE. 47 OVER I-88 (E-W TOLLWAY) KANE COUNTY STRUCTURE NO. 045-0082
	DRAWN BY BLB CHECKED BY WJW
	DATE: 2-01-2006