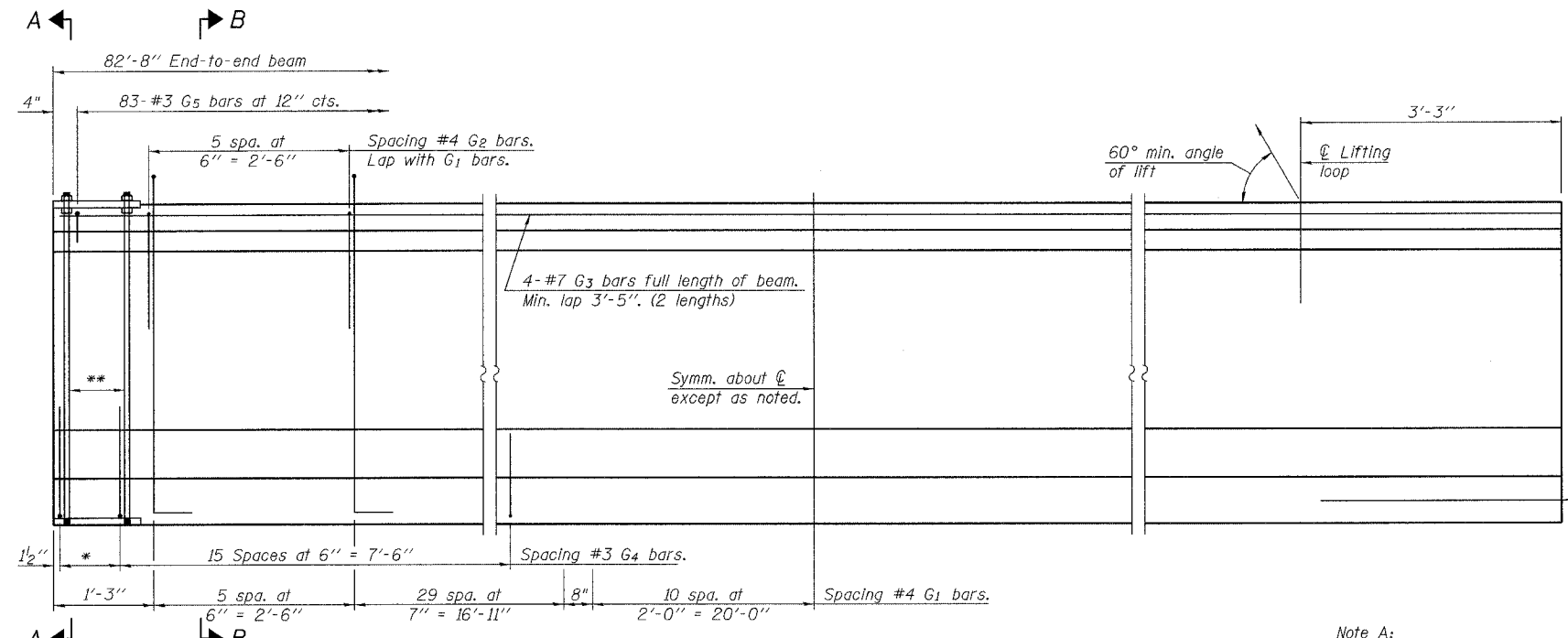


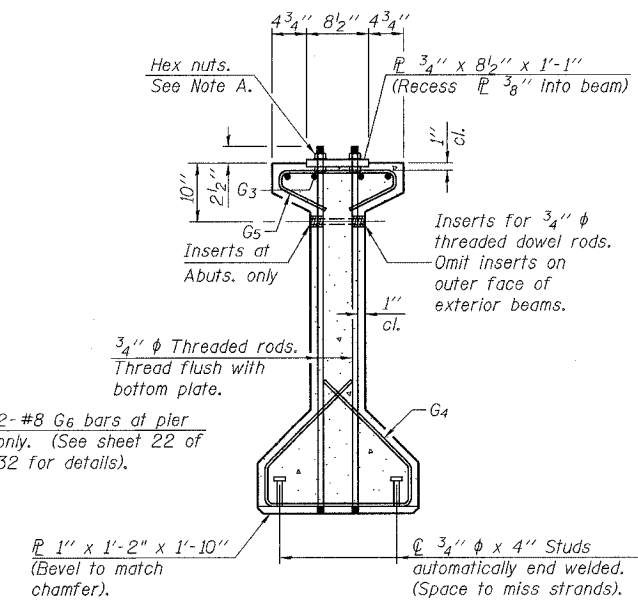
Contract #62531
 ISTHA Contract #RR-02-5129
 ISTHA Bridge No. 1101



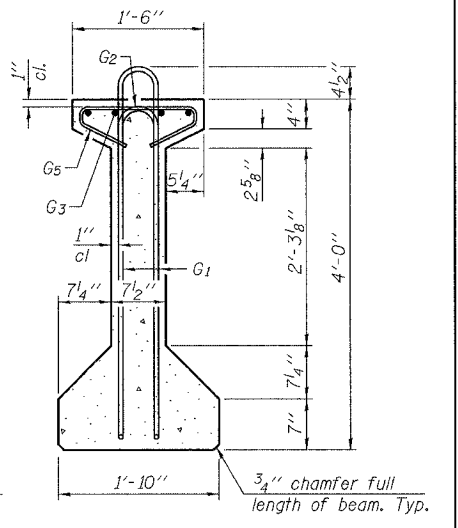
ELEVATION OF BEAM
 (Showing reinforcement & dimensions)

* 3 spaces at 3" = 9'.
 ** 4-3/4" φ threaded dowel rods at 3" cts., each face.

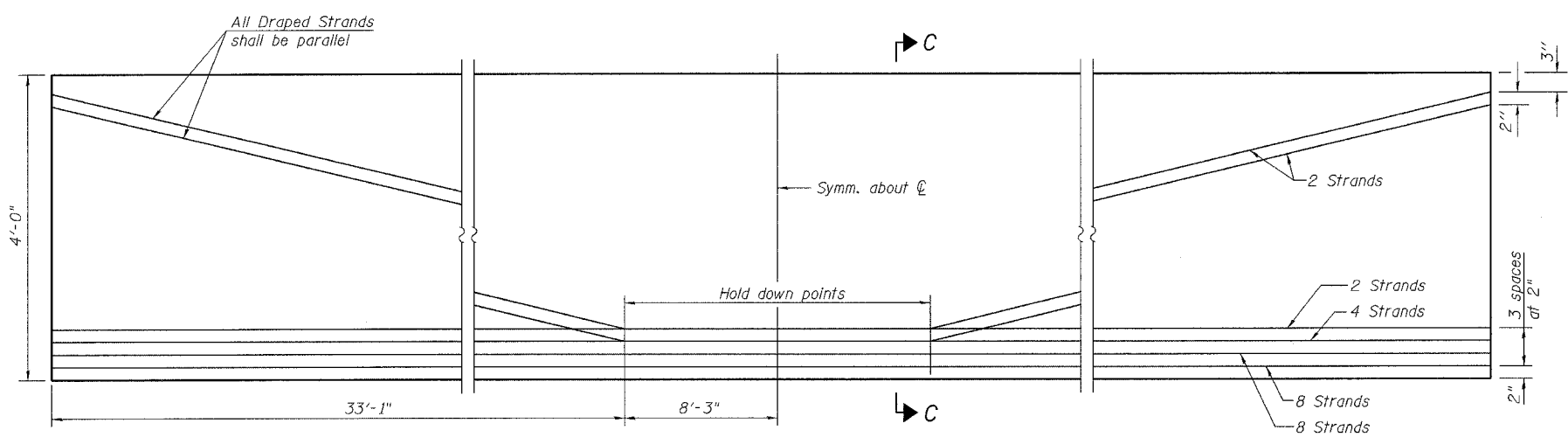
Note A:
 Hex nuts (top and bottom) with lock washers (top). Only tighten sufficiently to compress lock washers.



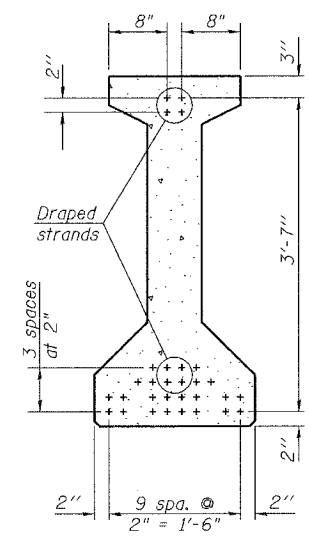
SECTION A-A



SECTION B-B



ELEVATION OF BEAM
 (Showing prestressing steel)



SECTION C-C

**BAR LIST
 ONE BEAM ONLY**

Bar	No.	Size	Length	Shape
G1	91	#4	9'-6"	∩ L
G2	12	#4	5'-1"	∩
G3	8	#7	42'-11"	—
G4	38	#3	5'-3"	∩
G5	83	#3	2'-9"	∩
G6	2	#8	3'-9"	∩

Notes:
 See sheet 22 of 32 for additional details and Bill of Material.
 Required release strength, f'ci, shall be 6,000 psi.

<p>Excellence through Ownership</p> <p>200 West Front Street Wheaton, IL 60187</p>	ILLINOIS DEPARTMENT OF TRANSPORTATION 48" P.P.C. I-BEAM IL RTE. 47 OVER I-88 (E-W TOLLWAY) KANE COUNTY STRUCTURE NO. 045-0082
	DRAWN BY NSR CHECKED BY WJV DATE: 2-01-2006