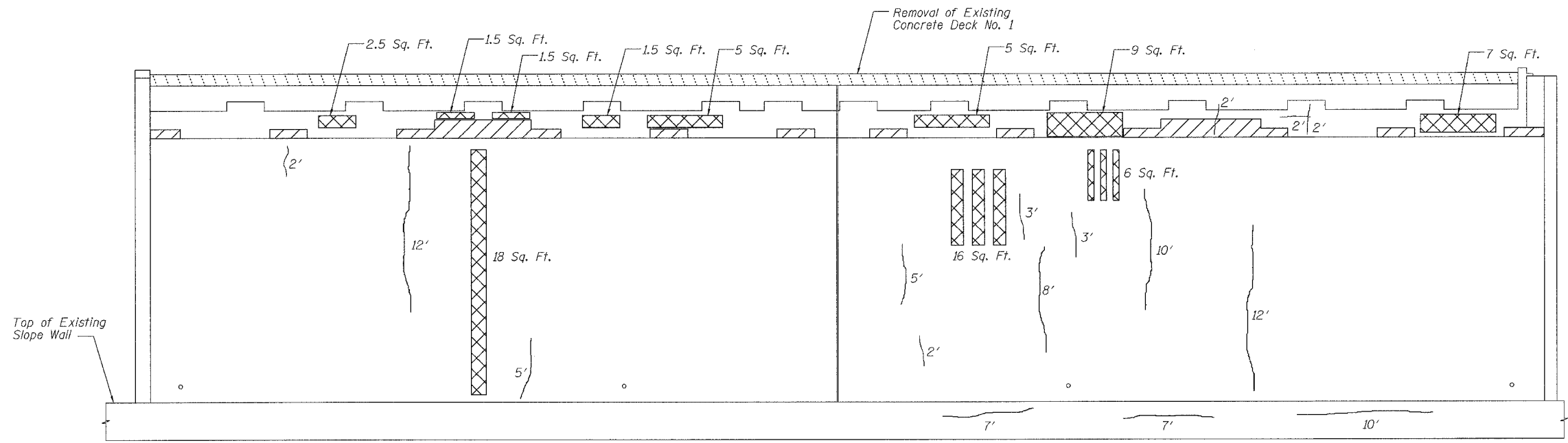


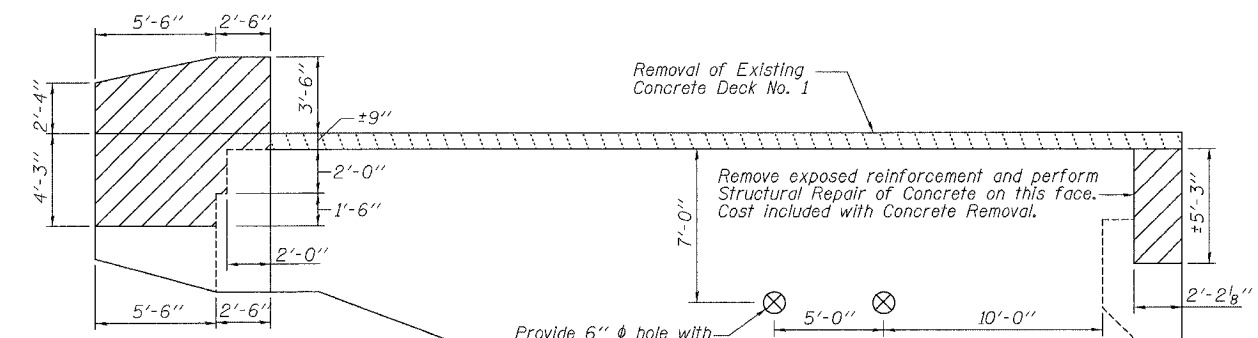
Contract #62531
 ISTHA Contract #RR-02-5129
 ISTHA Bridge No. 1101



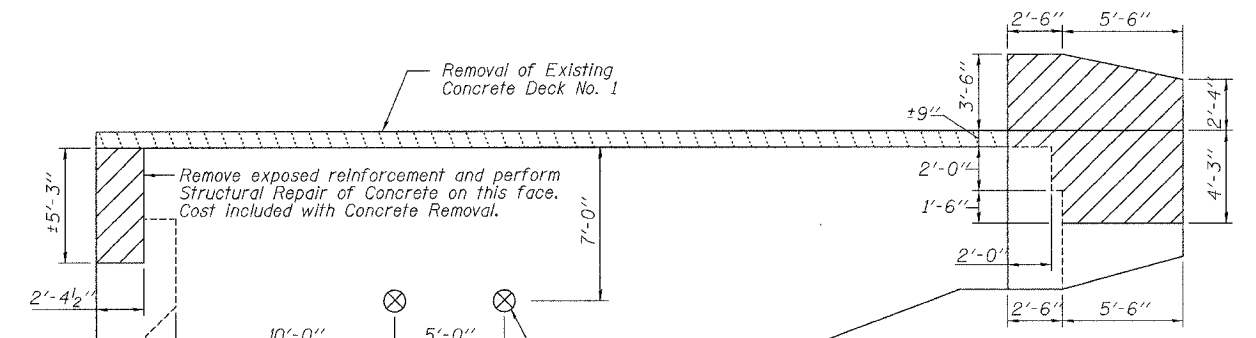
NORTH ABUTMENT ELEVATION

LEGEND:

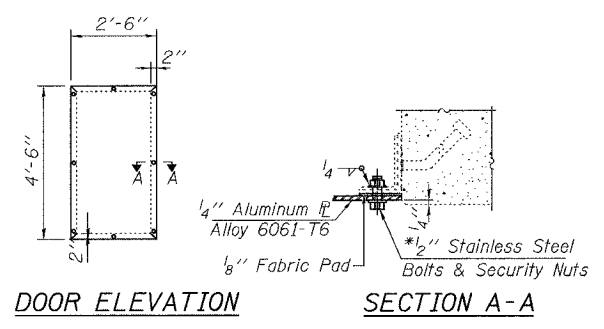
- Epoxy Crack Sealing
- Structural Repair of Concrete (Depth Equal To or Less Than 5")
- Concrete Removal
- Removal of Existing Concrete Deck



NORTHWEST CURTAIN WALL



NORTHEAST CURTAIN WALL



DOOR ELEVATION

SECTION A-A

ACCESS DOOR DETAIL
(2 Required)

*Provide Fasteners to match the existing bolt hole locations

NOTES

Existing reinforcement exposed by the removal of the abutment seats shall be removed. Cost included with Concrete Removal.

See Sheet 28 of 32 for Rodent Shield Detail.

BILL OF MATERIAL

PAY ITEM	UNIT	N. ABUT.	N-W CURTAIN WALL	N-E CURTAIN WALL	TOTAL
Structural Repair of Concrete (Depth Equal To or Less Than 5")	Sq. Ft.	73	0	0	73
Epoxy Crack Sealing	Foot	92	0	5	97
Concrete Removal	Cu. Yd.	3.1	2.7	2.7	8.5
Removal of Existing Concrete Deck No. 1	Each				1
Furnish and Install Door	Each	1			1



200 West Front Street
 Wheaton, IL 60187

ILLINOIS DEPARTMENT OF TRANSPORTATION
 NORTH ABUTMENT REPAIRS
 IL RTE. 47 OVER I-88 (E-W TOLLWAY)
 KANE COUNTY
 STRUCTURE NO. 045-0082

DATE: 2-01-2006
 DRAWN BY: JLA
 CHECKED BY: GBC



K:\11182521\Structures\11-47 over I-88\Final\Plans_Revision.dgn 5/5/2006