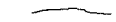




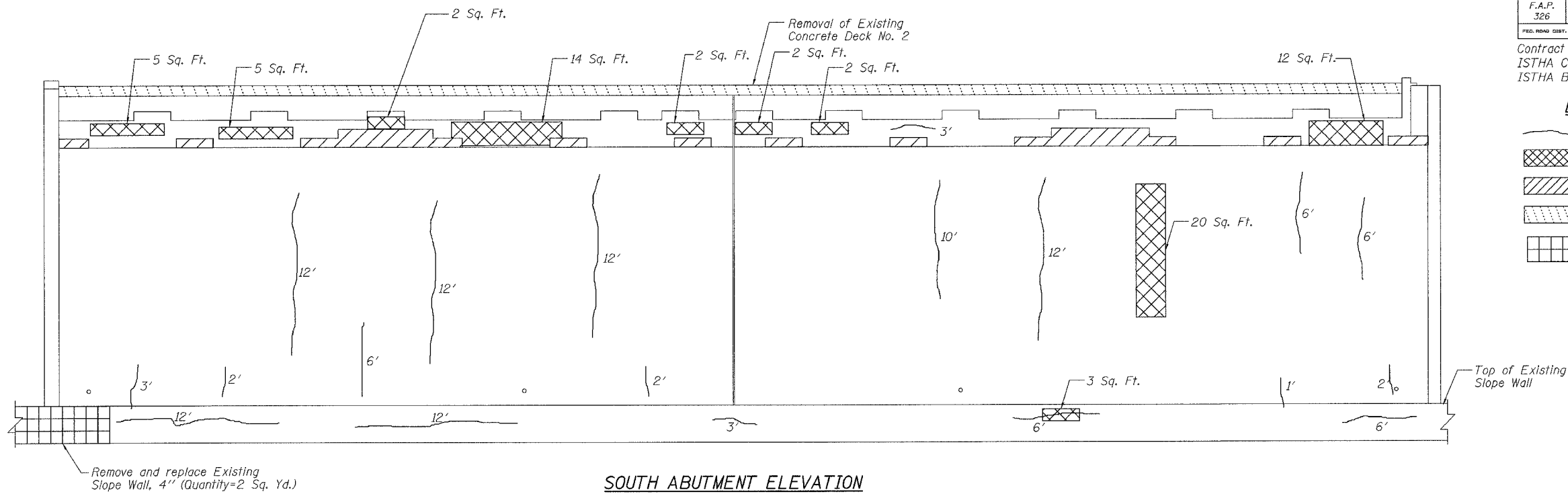


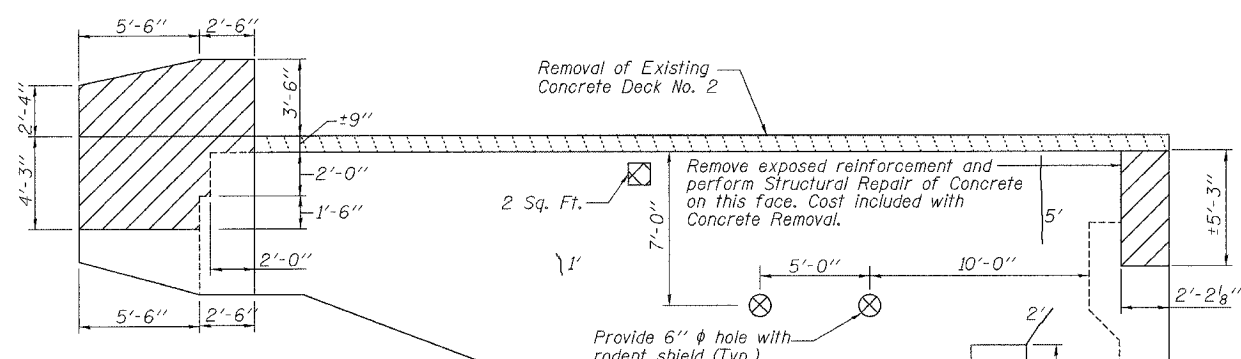
Contract #62531
ISTHA Contract #RR-02-5129
ISTHA Bridge No. 1101

LEGEND:

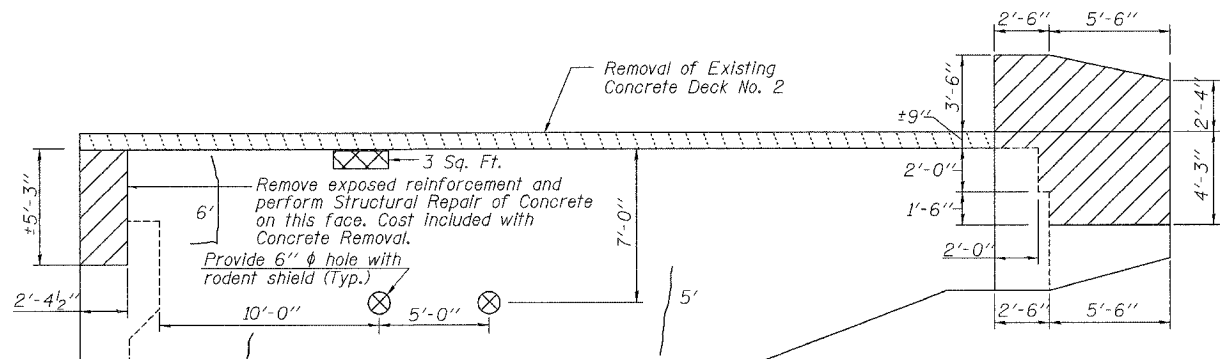
-  Epoxy Crack Sealing
-  Structural Repair of Concrete (Depth Equal To or Less Than 5")
-  Concrete Removal
-  Removal of Existing Concrete Deck No. 2
-  Removal and Replace Existing Slope Wall, 4"



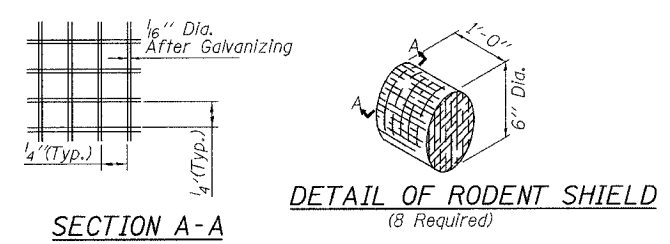
SOUTH ABUTMENT ELEVATION



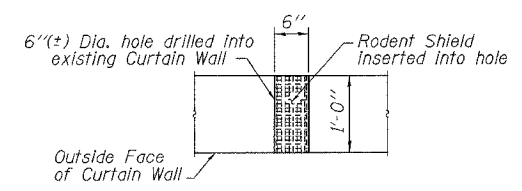
SOUTHEAST CURTAIN WALL



SOUTHWEST CURTAIN WALL



DETAIL OF RODENT SHIELD
(8 Required)



RODENT SHIELD PLACEMENT

NOTES

- Existing reinforcement exposed by the removal of the abutment seats shall be removed. Cost included with Concrete Removal.
- See Sheet 27 of 32 for Access Door Detail.
- Cost of drilling hole and Rodent Shield included with Concrete Removal.

BILL OF MATERIAL

PAY ITEM	UNIT	S. ABUT.	S-E CURTAIN WALL	S-W CURTAIN WALL	TOTAL
Structural Repair of Concrete (Depth Equal To or Less than 5")	Sq. Ft.	67	2	5	74
Epoxy Crack Sealing	Foot	128	8	23	159
Concrete Removal	Cu. Yd.	3.2	2.7	2.7	8.6
Removal of Existing Concrete Deck No. 2	Each				1
Slope Wall Removal	Sq. Yd.				2
Slope Wall 4"	Sq. Yd.				2
Furnish and Install Door	Each	1			1



200 West Front Street
Wheaton, IL 60187



ILLINOIS DEPARTMENT OF TRANSPORTATION
SOUTH ABUTMENT REPAIRS
IL RTE. 47 OVER I-88 (E-W TOLLWAY)
KANE COUNTY
STRUCTURE NO. 045-0082

DATE: 2-01-2006
DRAWN BY: JLA
CHECKED BY: GBC