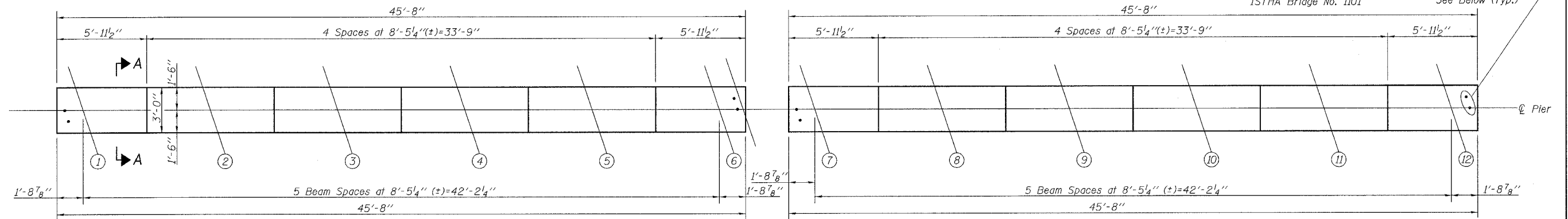
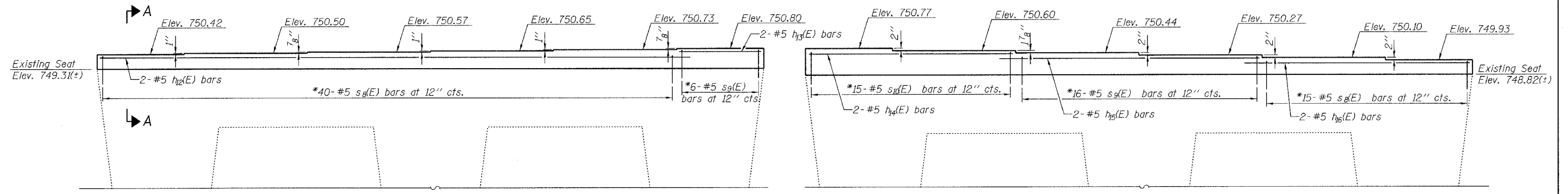


Contract #62531  
ISTHA Contract #RR-02-5129 For Anchor Bolt Location  
ISTHA Bridge No. 1101 See Below (Typ.)



PLAN



ELEVATION  
(Looking North)

\*Field drill and epoxy grout in place according to Article 584 of the Standard Specifications. Cost of drilling and grouting is included with Reinforcement Bars, Epoxy Coated.

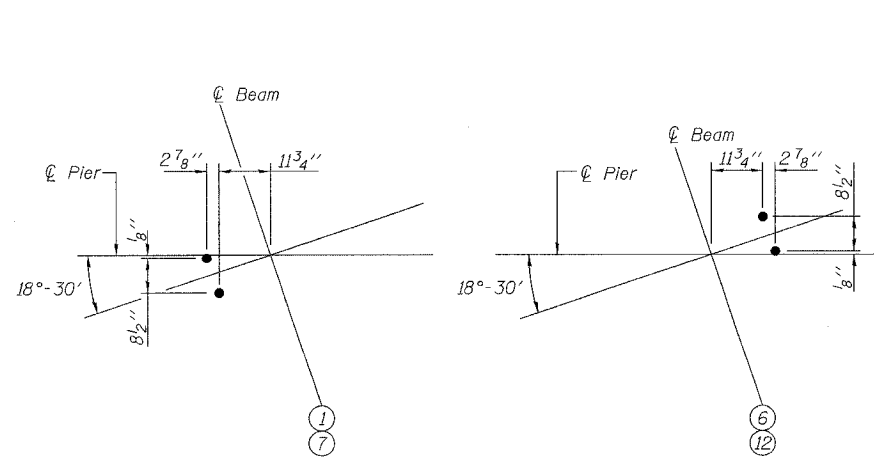
NOTES

- See Sheet 24 of 32 for Anchor Bolt Installation.
- See Sheet 16 of 32 for additional reinforcement.
- Reinforcement bars designated (E) shall be epoxy coated.
- Pour steps monolithically with cap.
- All edges shall have standard 3/4" chamfers.
- All surfaces where new concrete is cast against existing concrete shall be Bonded Construction Joints, in accordance with Article 503.09(b)(2) of the Standard Specifications.
- Space reinforcement in cap to miss anchor bolts.

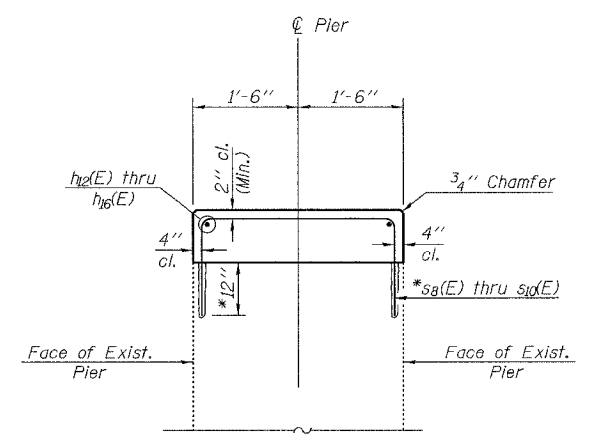
BILL OF MATERIAL

Bar	No.	Size	Length	Shape
h1/2(E)	2	#5	41'-7"	—
h3(E)	2	#5	5'-8"	—
h4(E)	2	#5	14'-1"	—
h5(E)	2	#5	18'-9"	—
h6(E)	2	#5	16'-9"	—
sg(E)	55	#5	6'-2"	□
sg(E)	22	#5	6'-10"	□
sg(E)	15	#5	7'-6"	□
Concrete Structures			Cu. Yd.	14.4
Reinforcement Bars, Epoxy Coated			Pound	830

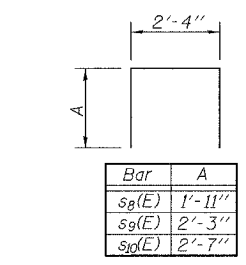
Reinforcement bars designated (E) shall be epoxy coated.



ANCHOR BOLT LOCATION DETAIL



SECTION A-A



BARS sg(E) THRU sg(E)

Bar	A
sg(E)	1'-11"
sg(E)	2'-3"
sg(E)	2'-7"

**rjngroup**  
Excellence through Ownership  
200 West Front Street  
Wheaton, IL 60187

ILLINOIS DEPARTMENT OF TRANSPORTATION  
PIER DETAILS  
IL RTE. 47 OVER I-88 (E-W TOLLWAY)  
KANE COUNTY  
STRUCTURE NO. 045-0082  
DRAWN BY BLB  
CHECKED BY WJV  
DATE: 2-01-2006