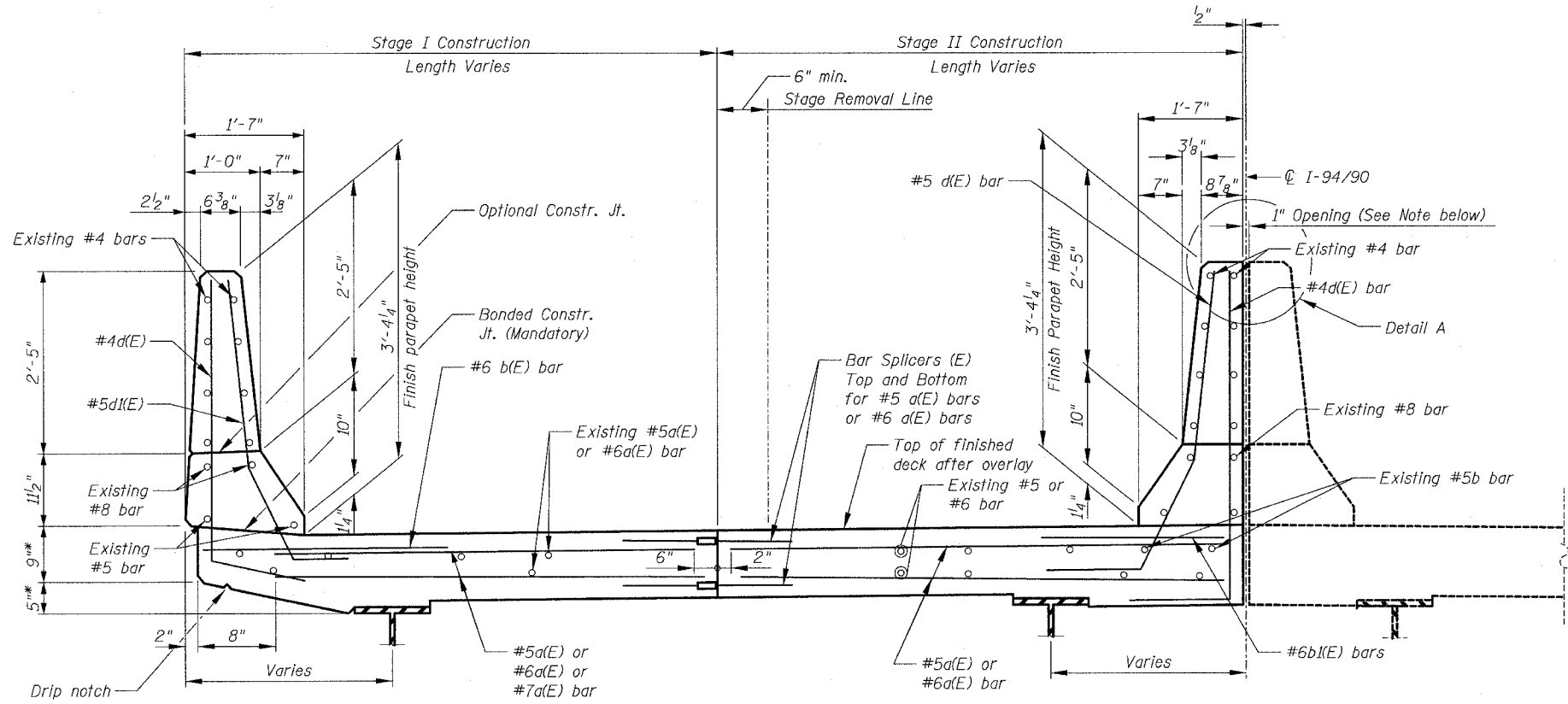


F.A.I.	SECTION	COUNTY	TOTAL SHEETS	SHEET NO.
94/90	2003-0291	COOK	344	201
STA.		TO STA.		
FED. ROAD DIST. NO.	ILLINOIS	FED. AID PROJECT		
62581				



TYPICAL CROSS SECTION ALONG JOINT RECONSTRUCTION

* Match Existing

Notes:

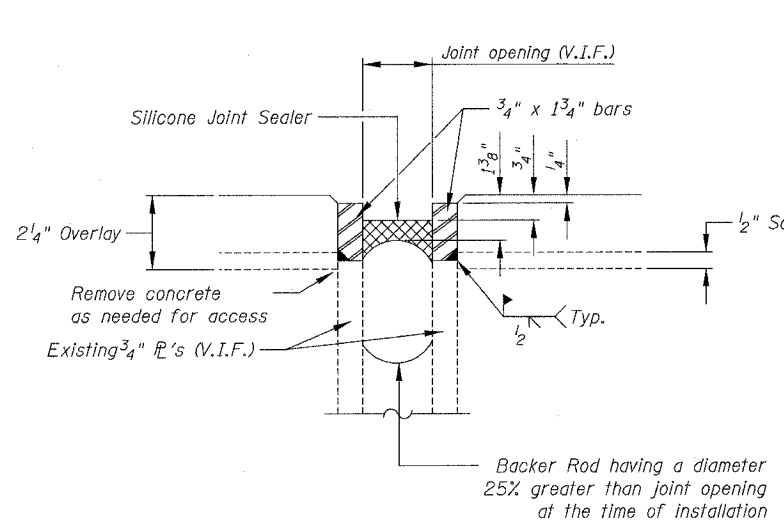
Existing longitudinal reinforcement in slab and barriers shall be cleaned, straightened and incorporated into new construction.

Bend #4 vertical parapet bars in field to clear the top flange of fascia girders as needed.

Remove existing rails, posts, anchors or other attachments as required for the partial removal of barriers for the joint reconstruction. Reinstall removed components as required to restore original condition. Cost included with "Concrete Removal" and "Concrete Superstructure".

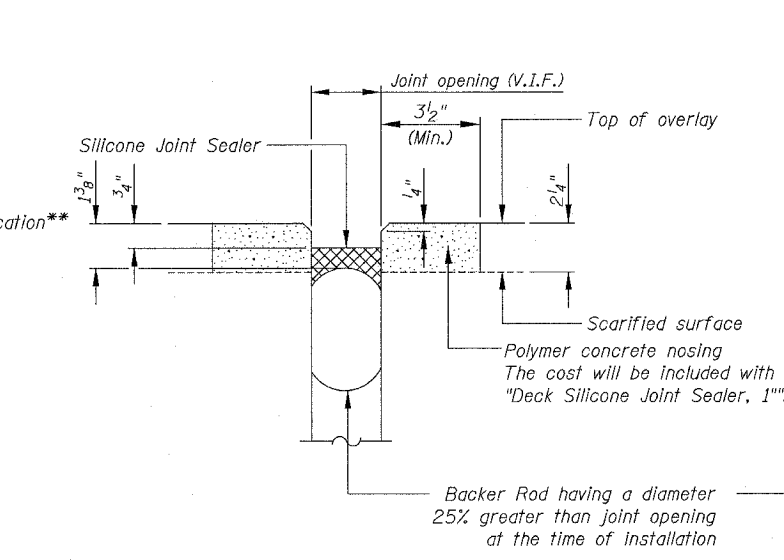
Place bars in parapet to maintain 1/2" cl.

Care should be exercised during concrete removal not to damage existing shear studs.

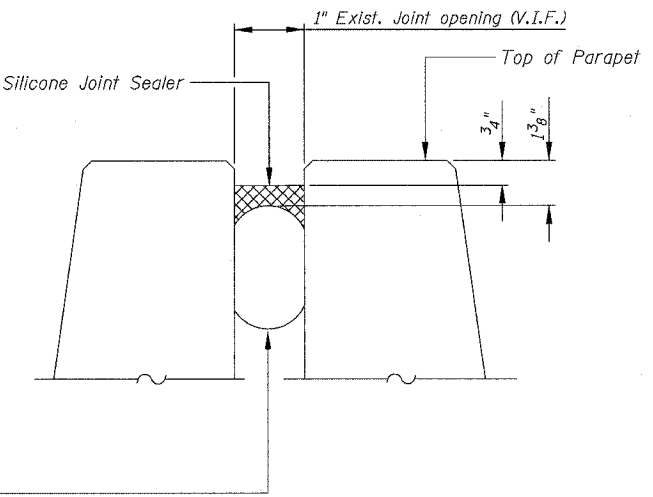


DECK SILICONE JOINT SEALER, 1" DETAIL

**Care shall be taken not to damage existing \bar{r} 's during Hydroscarification.
 V.I.F. = Verify In Field
 If existing joint does not have steel plates see alternate Deck Silicone Joint Sealer, 1" Detail.
 Cost of existing joint removal included with "Bridge Deck Hydro-Scarification, 1/2\"/>



ALTERNATE DECK SILICONE JOINT SEALER, 1" DETAIL



SILICONE JOINT SEALER, 1" - PARAPET DETAIL A

Existing longitudinal joint between concrete parapets shall be removed and replaced with Silicone Joint Sealer. The cost of the existing longitudinal joint removal will be included in the cost of "Silicone Joint Sealer, 1\"/>

BILL OF MATERIAL

Item	Unit	Total
Deck Silicone Joint Sealer, 1"	Foot	117
Silicone Joint Sealer, 1"	Foot	10,486

REVISIONS	
NAME	DATE
ADDENDUM NO. 1	6/29/06

ILLINOIS DEPARTMENT OF TRANSPORTATION
 F.A.I. 94/90 (DAN RYAN EXPRESSWAY)
 SB DAN RYAN ELEVATED BRIDGE
 REPAIR FROM 15TH TO 28TH STREETS
 TYPICAL DECK SLAB CROSS SECTIONS
 AND SILICONE JOINT SEALER DETAILS
 SCALE: NTS
 DATE: 5/25/2006
 DRAWN BY: BDC
 CHECKED BY: BLU

BOWMAN, BARRETT & ASSOCIATES INC.
 CONSULTING ENGINEERS
 Chicago, Illinois
 312.228.0100
 www.bbandsinc.com

40105 FM 6/29/2006