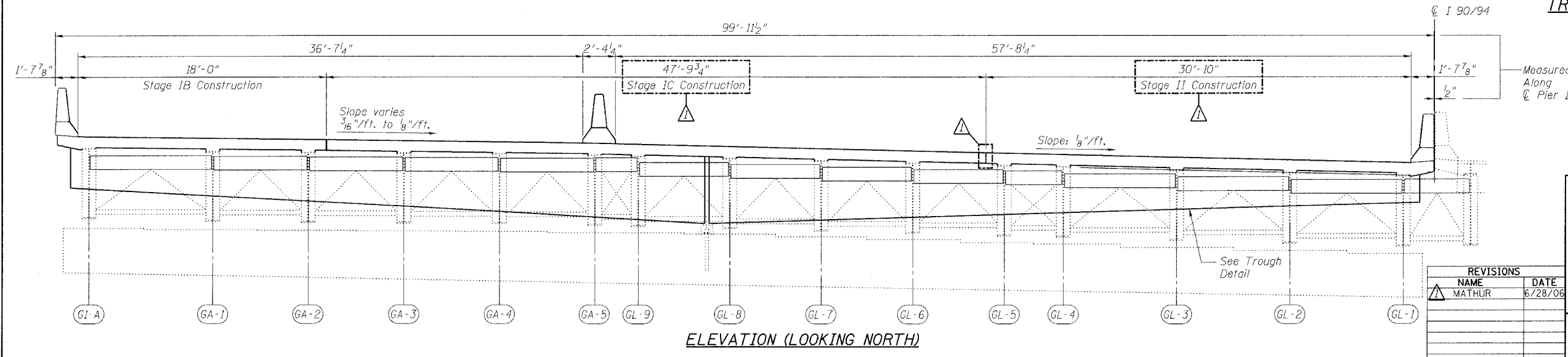
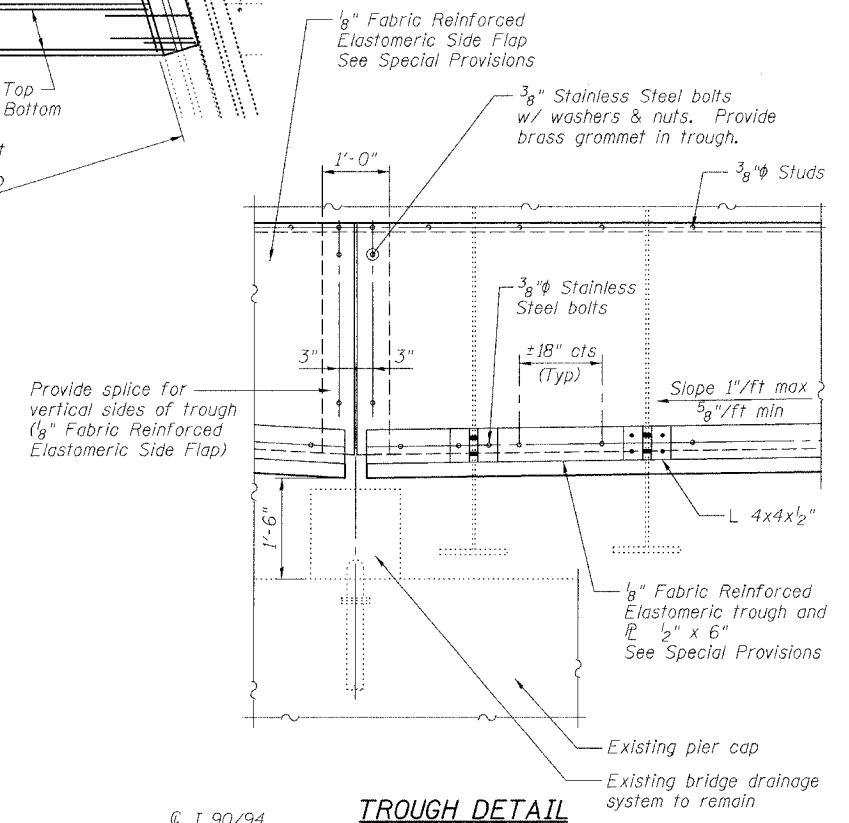
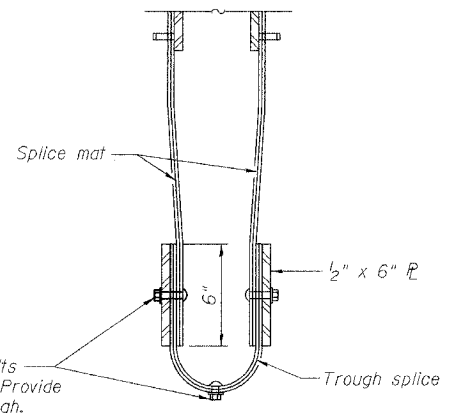
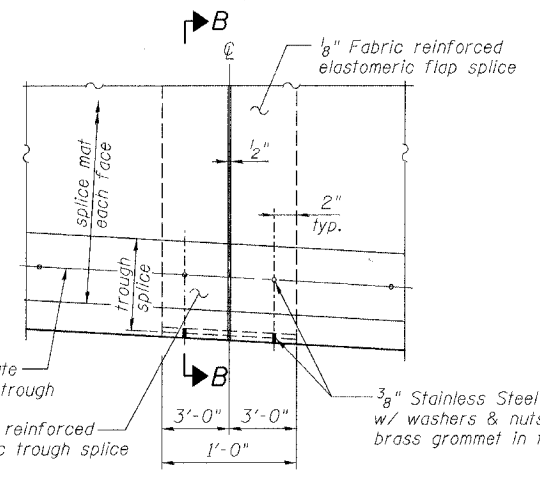
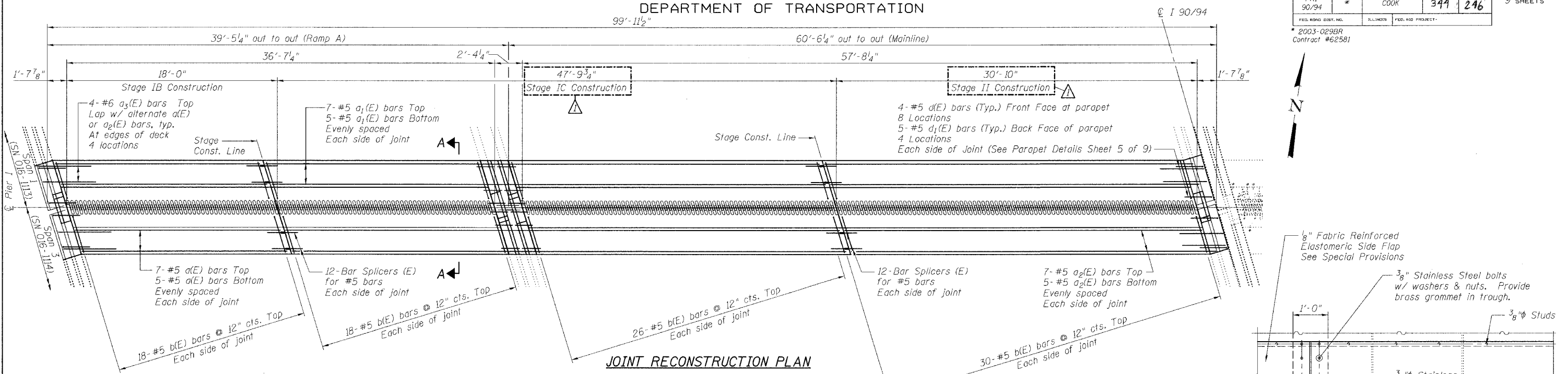


STATE OF ILLINOIS
DEPARTMENT OF TRANSPORTATION

ROUTE NO. FAI 90/94	SECTION *	COUNTY COOK	SHEET 344	SHEET 246	SHEET NO. 3 9 SHEETS
---------------------------	--------------	----------------	--------------	--------------	-------------------------



- Notes:
1. For Parapet Details and Superstructure Bill of Material, see Sheet 5 of 9.
 2. For Section A-A, see Sheet 4 of 9.
 3. Deck cross slopes shown are at right angles to \bar{C} Roadway.

ILLINOIS DEPARTMENT OF TRANSPORTATION
PIER 1 JOINT DETAILS
F.A.I. ROUTE 90/94 SOUTHBOUND (DAN RYAN EXPRESSWAY)
OVER SOUTH BRANCH - CHICAGO RIVER
COOK COUNTY
S.N. 016-1113 - PIER 1

REVISIONS	
NAME	DATE
MATHUR	6/28/06

SCALE: VERT. 1"=4'-0"
HORIZ. 1"=40'-0"
DATE: 4/7/05

DRAWN BY: LANDREY
DESIGNED BY: SANFORD
CHECKED BY: MATHUR

COMPUTER FILE NO.
04286-W01-SB-PJ1
PROJECT 04286-W01
5/11/06-MML

FILE NAME = J:\04286\W01\DRAWINGS\Southbound\04286-W01-SB-PJ1.dgn
PLOT DATE = 6/29/2006
PLOT TIME = 9:48:08 AM
OPERATOR = mitchell