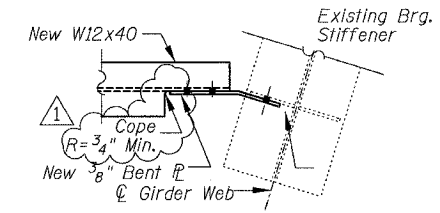
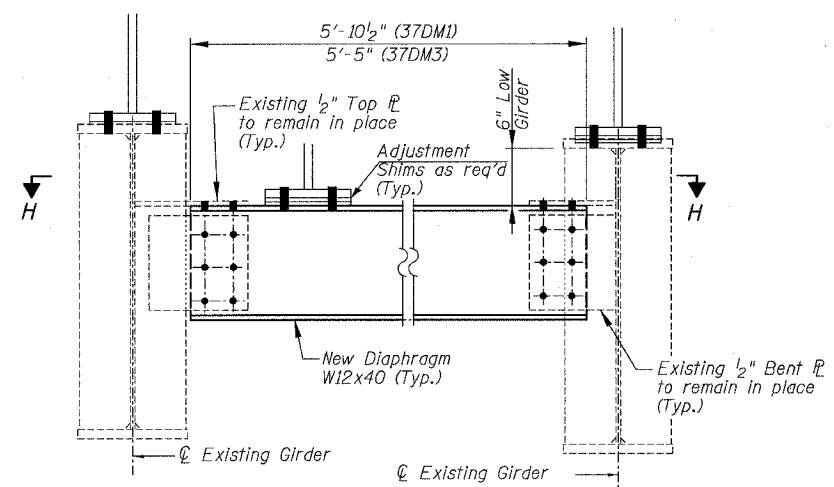


**SECTION H-H**



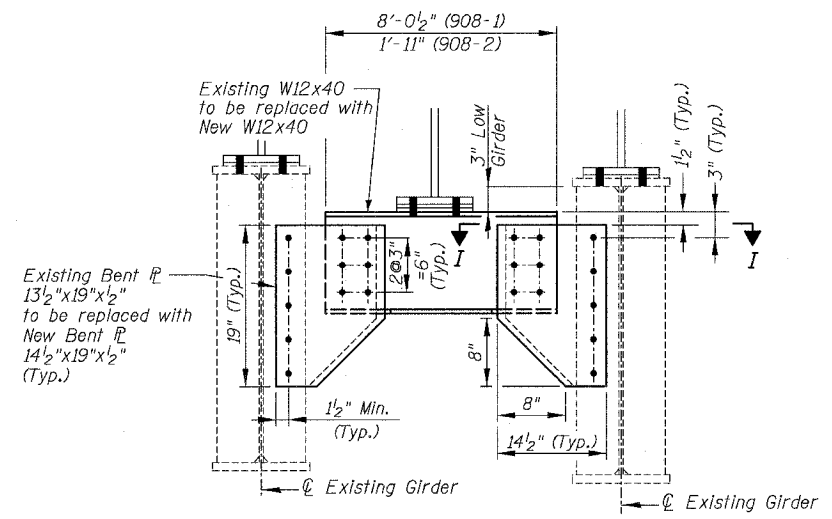
**Section I-I**



**CROSS FRAME DETAIL**

S.N. 016-1117

37DM1	4 REQ'D
37DM3	4 REQ'D



**DIAPHRAGM DETAIL**

S.N. 016-1117

908-1	1 REQ'D
908-2	1 REQ'D

**NOTES:**

1. Calculated weight of Structural Steel used for the item "Furnishing & Erecting Structural Steel" = 5,440 Lbs. and itemized as follows:  
S.N. 016-1116 = 2,800 Lbs  
S.N. 016-1117 = 2,640 Lbs
2. Calculated weight of Structural Steel used for the item "Structural Steel Removal" = 5,450 Lbs. and itemized as follows:  
S.N. 016-1116 = 2,820 Lbs  
S.N. 016-1117 = 2,630 Lbs
3. Dimensions shown to be field verified as indicated in Structural General Notes. Cost included in Field Measurements (see Special Provisions for details).

**BILL OF MATERIAL**

Item	Unit	Quantity
Furnishing & Erecting Structural Steel	Lum Sum	0.02
Structural Steel Removal	Pound	5,580

BOWMAN, BARRETT & ASSOCIATES INC.  
CONSULTING ENGINEERS  
Chicago, Illinois  
312.228.0100  
www.bbandainc.com

REVISIONS	
NAME	DATE
ADDENDUM NO. 1	6/29/06

ILLINOIS DEPARTMENT OF TRANSPORTATION  
F.A.I. 94/90 (DAN RYAN EXPRESSWAY)  
SB DAN RYAN ELEVATED BRIDGE  
REPAIR FROM 15TH TO 28TH STREETS  
DIAPHRAGM REPLACEMENT DETAILS  
PIER 26, SN 016-1117

SCALE: NTS  
DATE: 5/25/2006

DRAWN BY: BDC  
CHECKED BY: IYL

R66000000 BRIDGE 27 SHEETS SUGGO 21 06/11/06 F.P. 11/07 4/29/2006