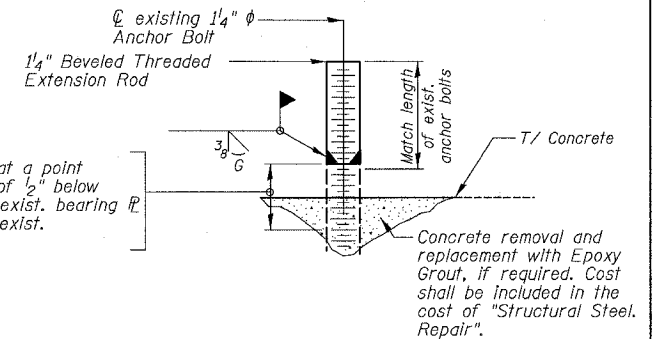


TOP BEARING PLATE PLAN

- NOTES:**
- See Partial Deck Plans for Joint Replacement Details.
  - The Contractor shall provide support and/or shoring systems for the slab and beam in the area of existing beam removal and at other locations as required in order to maintain the existing deck profile. The support and/or shoring systems shall be approved by the Engineer. Such approval will not relieve the Contractor of responsibility for the safety of the structure.
  - See Sheets 274 & 276 for view A-A.

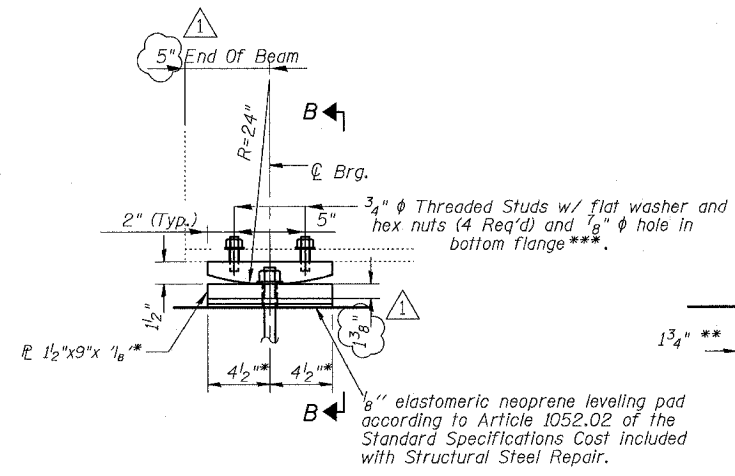


ANCHOR BOLT EXTENSION DETAIL

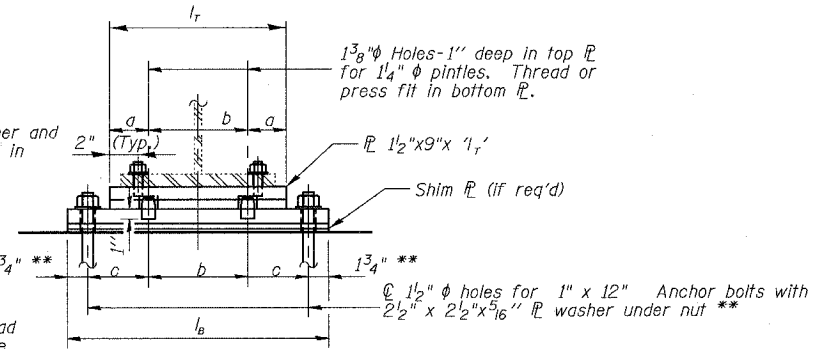
The furnishing and installation of required Anchor Bolt Extensions shall be included in the cost of "Structural Steel Repair".

PROPOSED FIXED BEARING TABLE

Beam No.	$l_b$	$l_r$	$a$	$b$	$c$	Req'd.
1	26"	13"	3 1/4"	6 1/2"	8"	1
2	22"	12"	3 1/2"	5"	6 3/4"	1
3	17 1/2"	12"	3 1/2"	5"	4 1/4"	1
4	23 1/2"	12"	3 1/4"	5 1/2"	9"	1
5	20 1/2"	13"	3 1/4"	6 1/2"	5 1/4"	1



ELEVATION



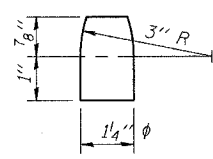
SECTION B-B

PROPOSED FIXED BEARING

\*Bm 5: Bottom flange shall be 9 1/2" wide. Provide 1 1/2" of shim plates (at least 2-1/8" flange) for bearing height adjustment. Cost included with Structural Steel Repair.

\*\*Bm 3: Existing 1 1/4" anchor bolts shall be extended. See Detail

\*\*\* Field Drill hole in existing beams, cost included with Structural Steel Repair.



PINTLE

LEGEND:

- Steel Diaphragms to be replaced
- Remove & Replace Exist. Steel Bearing
- Concrete Pedestal Work
- (D10) Exist. Diaphragm Designation

BOWMAN, BARRETT & ASSOCIATES INC  
CONSULTING ENGINEERS  
Chicago, Illinois  
312.228.9100  
www.bbainc.com

REVISIONS	
NAME	DATE
ADDENDUM NO. 1	6/29/06

ILLINOIS DEPARTMENT OF TRANSPORTATION  
F.A.I. 94/90 (DAN RYAN EXPRESSWAY)  
SB DAN RYAN ELEVATED BRIDGE  
PIER A 13 SN 016-1067  
STEEL REPAIR PLAN

SCALE: NTS  
DATE: 5/25/2006

DRAWN BY: BDC  
CHECKED BY: IYL

6/29/2006 4:02:22 PM