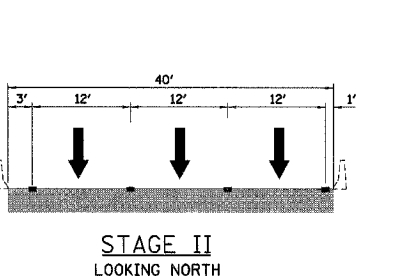
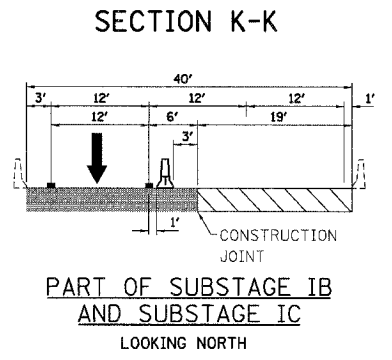
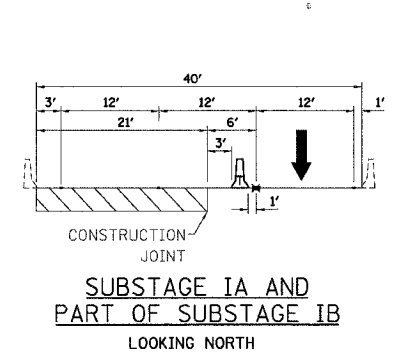
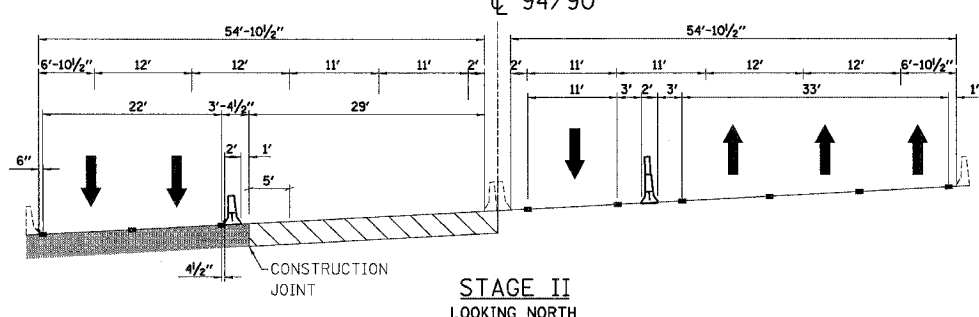
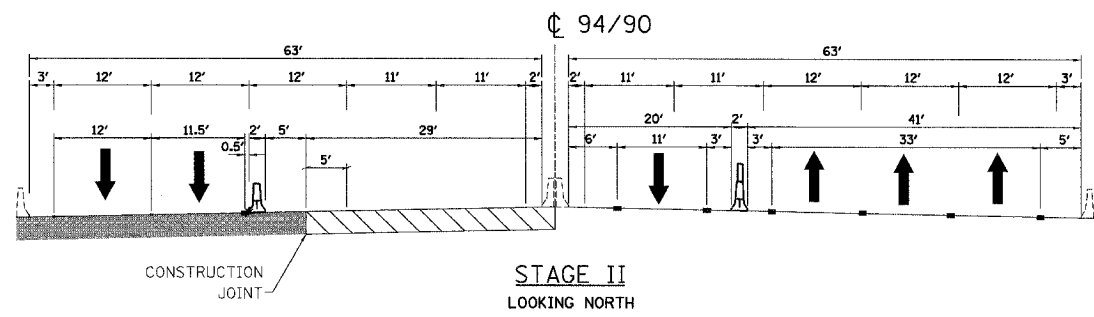
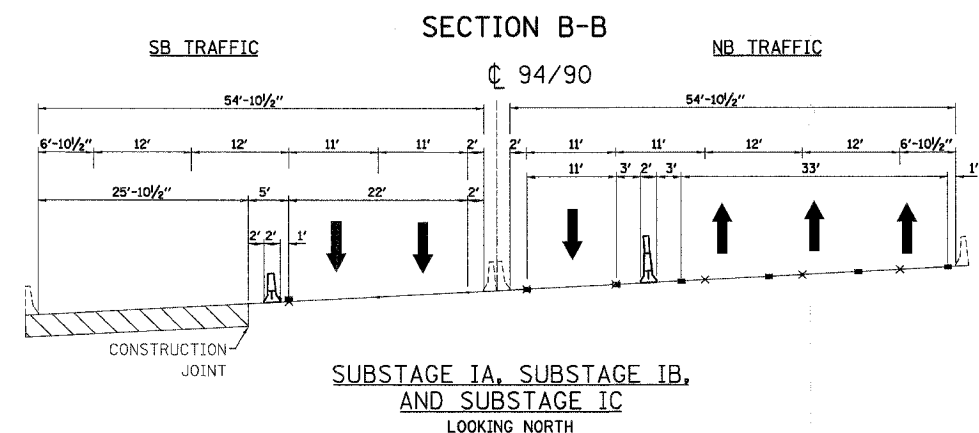
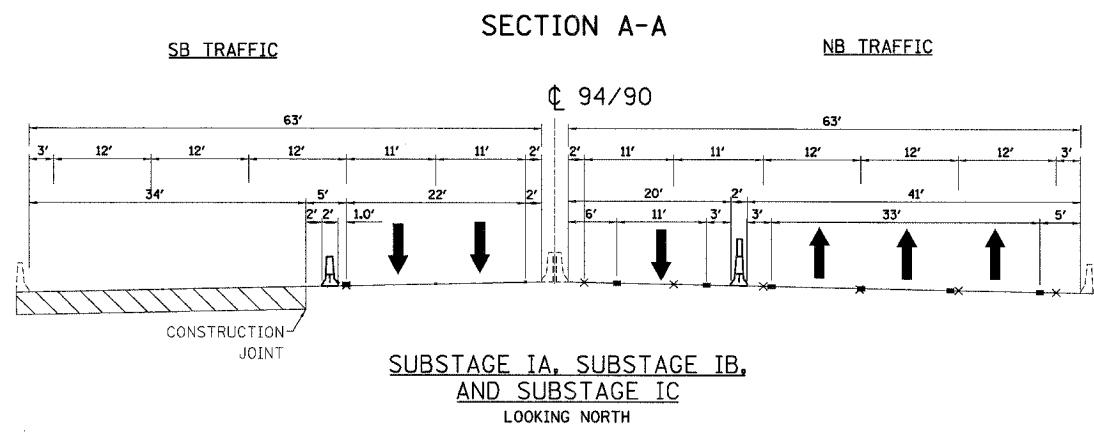


F.A.I.	SECTION	COUNTY	TOTAL SHEETS	SHEET NO.
94/90	*2003-0295	COOK	344	28
STA.	TO STA.			
FED. ROAD DIST. NO.	ILLINOIS	FED. AID PROJECT		

62581



- LEGEND**
- ↑ TRAFFIC DIRECTION
  - ▭ EXISTING PAVEMENT MARKING
  - ⊗ REMOVE EXISTING PAVEMENT MARKING
  - ⊗ RAISED REFLECTIVE PAVEMENT MARKING REMOVAL
  - TEMPORARY PAVEMENT MARKING
  - ▨ WORK ZONE
  - ▭ TEMPORARY CONCRETE BARRIER
  - ▭ TEMPORARY CONCRETE BARRIER WITH TEMPORARY PAVEMENT MARKING - LINE 6"
  - ▭ TEMPORARY CONCRETE BARRIER WITH MODULAR GLARE SCREEN SYSTEM
  - ▨ OVERLAYED PAVEMENT
  - ▭ EXISTING BARRIER

- SIGNING - GENERAL NOTES**
- ANY EXISTING SIGN DENOTED WITHIN THE PLAN SET THAT DO NOT APPLY TO THE REVISED TRAFFIC PATTERNS SHALL BE REMOVED OR COVERED, AS DIRECTED BY THE ENGINEER. THE COVERING OR REMOVAL OF SIGNS WILL NOT BE PAID FOR SEPARATELY, BUT PAID FOR UNDER THE CONTRACT LUMP SUM PRICE FOR 'TRAFFIC CONTROL AND PROTECTION (EXPRESSWAY)'
  - SIGNS: W2-I115(O), R2-1-3648, W4-1, W5-4, W4-2, G20-2a, R3-7R, W1-4L, W1-4R, W13-1, R2-I106-3618, W20-I(O)-48, W4-3L, W6-3(O)-48, W18-I100(O)-2430, R1-2 AND ALL OTHERS USED IN A HIGHWAY STANDARD AND IDOT DISTRICT ONE STANDARD WILL BE PAID FOR UNDER THE CONTRACT LUMP SUM PRICE FOR 'TRAFFIC CONTROL AND PROTECTION (EXPRESSWAY)'
  - FOR DETOUR SIGN PANELS, SEE DETOUR SHEETS FOR PAY ITEM.
  - TEMPORARY INFORMATION SIGNING AS LISTED IN THE PLANS WILL BE PAID FOR AS 'TEMPORARY INFORMATION SIGNING'

**NOTE:**  
EXIT RAMP FROM EB I-94/90 TO 31ST ST SHOULD BE OPEN ALL THE TIME DURING CONSTRUCTION. CHANGE IN EXIT LOCATION FROM THE EB MAINLINE COULD BE DONE AT ANY TIME AS SOON AS THE CONTRACTOR IS DONE WITH THE OUTSIDE LANE WORK, OR AS DIRECTED BY THE RESIDENT ENGINEER.

BOWMAN, BARRETT & ASSOCIATES INC.  
CONSULTING ENGINEERS  
Chicago, Illinois  
312.228.0100  
www.bbda-inc.com

REVISIONS		ILLINOIS DEPARTMENT OF TRANSPORTATION F.A.I. 94/90 (DAN RYAN EXPRESSWAY) SB DAN RYAN ELEVATED BRIDGE REPAIR FROM 15TH TO 28TH STREETS MAINTENANCE OF TRAFFIC PLAN GENERAL NOTES AND TYPICAL SECTIONS SCALE: =NTS DATE: 4/14/2006
NAME	DATE	
		DRAWN BY: RA CHECKED BY: RS

MTS-03

4/14/2006 9:20:41 AM