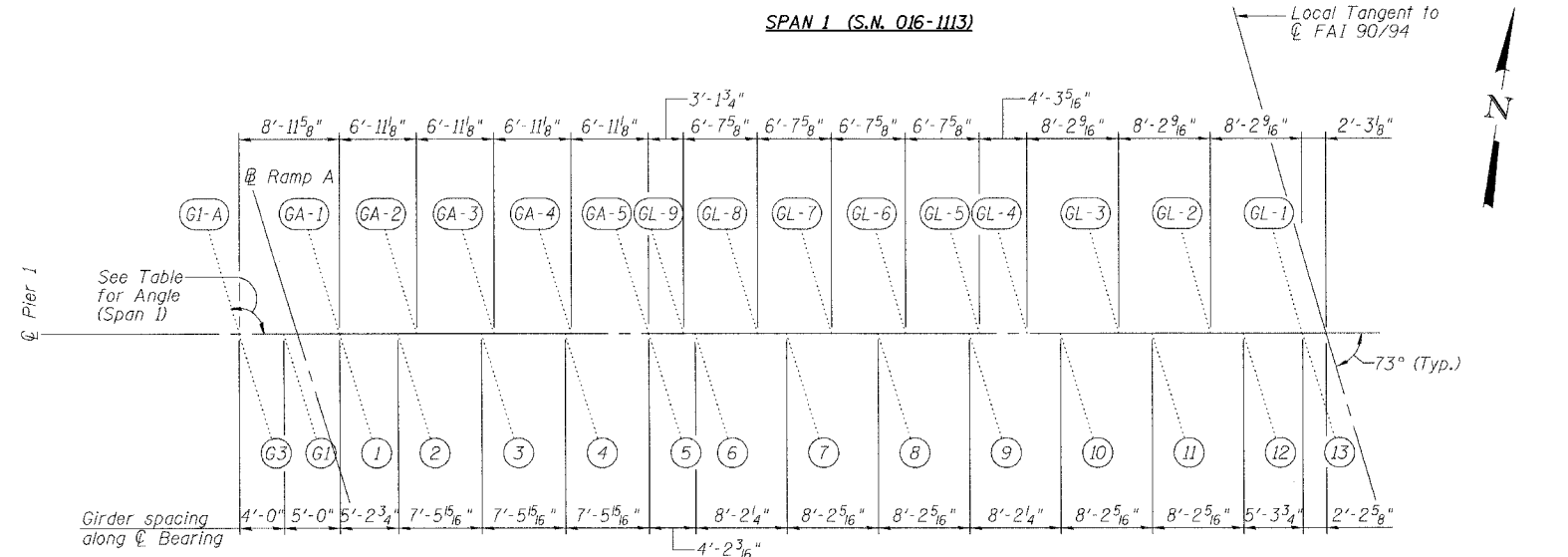


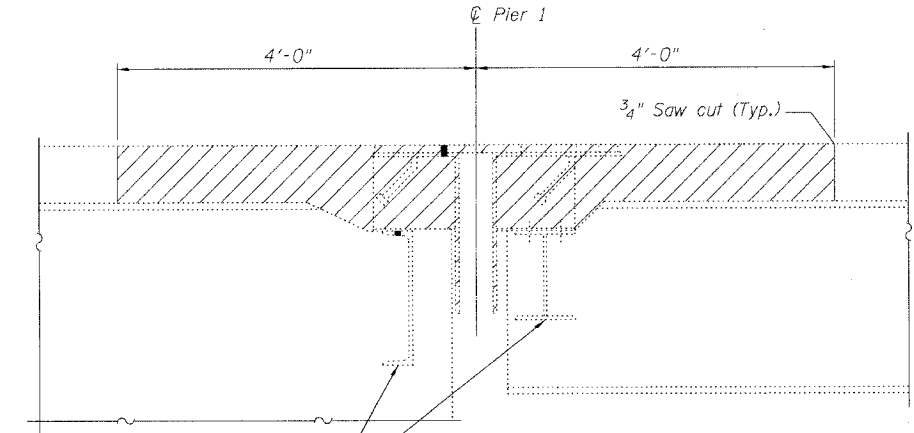
STATE OF ILLINOIS
DEPARTMENT OF TRANSPORTATION

ROUTE NO.	SECTION	COUNTY	SHEET	SHEET NO. 2
FAI 90/94	*	COOK	344	245
FED. ROAD DIST. NO.	ILLINOIS	FED. AID PROJECT		
* 2003-029 I Contract #62581				

9 SHEETS



Girder	Angle
G1-A	106°26'36"
GA-1	106°36'42"
GA-2	106°42'57"
GA-3	106°48'55"
GA-4	106°54'37"
GA-5	107°00'04"
GL-9	106°59'29"
GL-8	106°35'22"
GL-7	106°12'11"
GL-6	105°49'53"
GL-5	105°28'24"
GL-4	105°33'08"
GL-3	105°33'08"
GL-2	105°33'08"
GL-1	105°33'08"

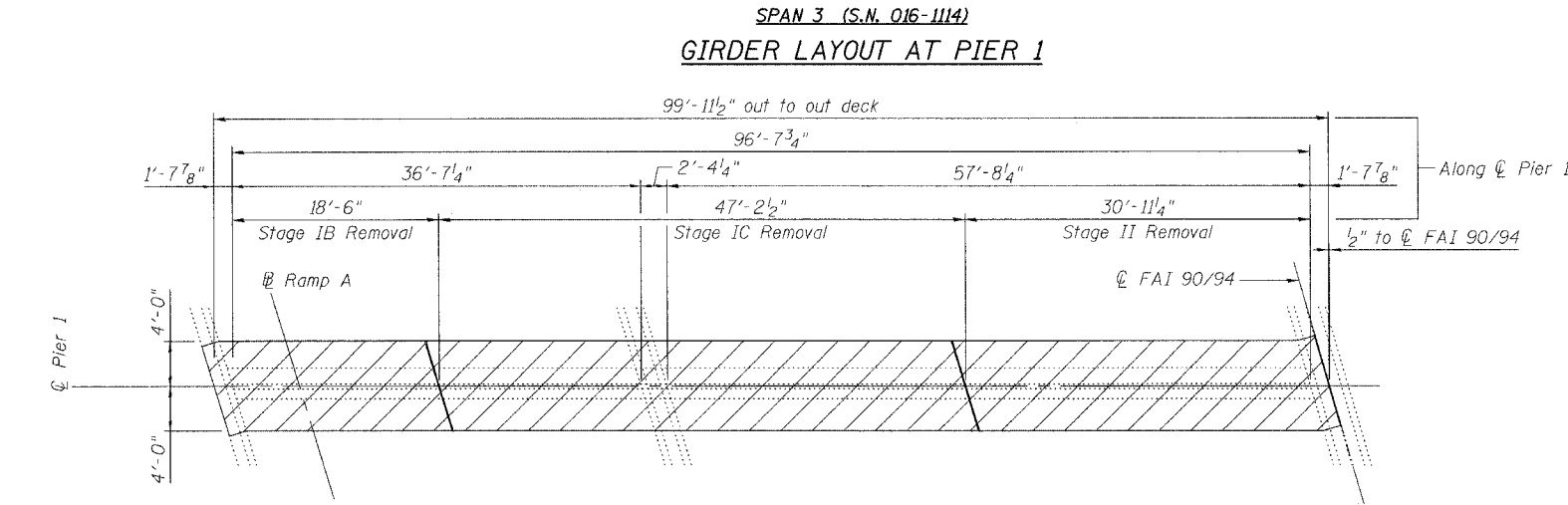


Existing diaphragms to be replaced. See sheets 269 & 270 of 344 for details.

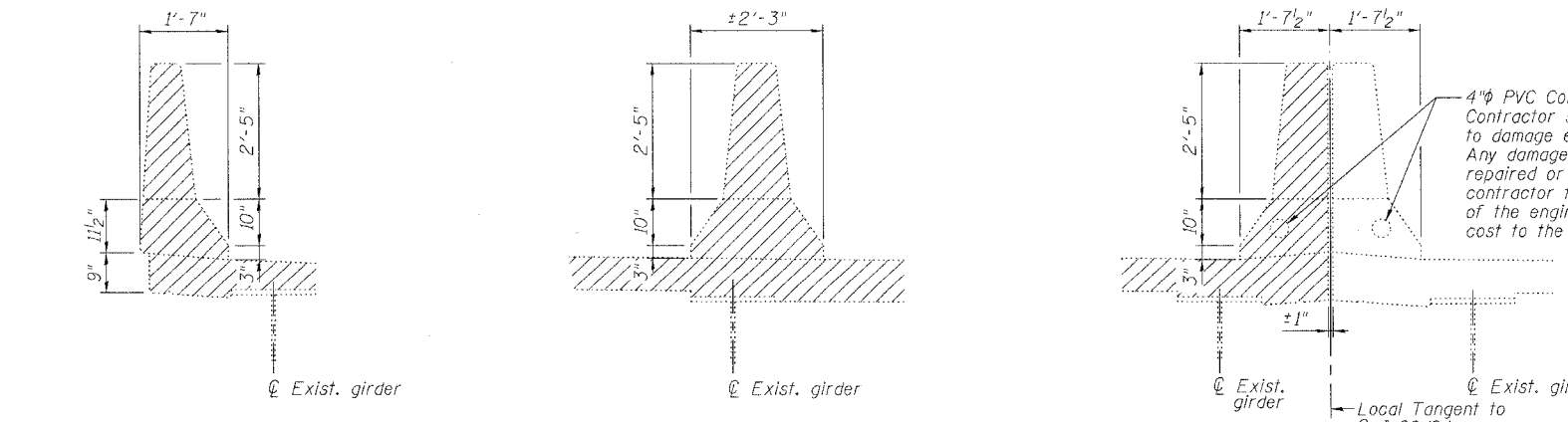
Note: Any reinforcement bars that are damaged during concrete removal operations shall be repaired or replaced using an approved bar splicer or anchorage system. Cost included with "Concrete Removal".

Existing finger plates, stools, drainage trough and hardware shall be removed. Cost included with "Concrete Removal".

SECTION AT EXISTING FINGER PLATE
(Dimensions at Rt. L's)



JOINT REMOVAL PLAN AT PIER 1



Notes:
Hatched Area indicates "Concrete Removal".
Existing transverse bars in the deck are placed at right angles to \perp Roadway. Existing transverse bars extending into removal areas shall be cut to miss the new finger joint, cleaned and incorporated into the new construction.
Longitudinal reinforcement extending into removal areas shall be cleaned, straightened and incorporated into the new construction except as noted on Section A-A on Sheet 5.

REVISIONS	
NAME	DATE

ILLINOIS DEPARTMENT OF TRANSPORTATION
PIER 1 JOINT REMOVAL DETAILS
F.A.I. ROUTE 90/94 SOUTHBOUND (DAN RYAN EXPRESSWAY)
OVER SOUTH BRANCH - CHICAGO RIVER
COOK COUNTY
S.N. 016-1113 - PIER 1

SCALE: VERT. 1"=4'-0"
HORIZ. 1"=40'-0"
DATE: 4/7/05

DRAWN BY: LANDREY
DESIGNED BY: SANFORD
CHECKED BY: MATHUR

COMPUTER FILE NO. 04286-W01-SB-REM
PROJECT 04286-W01
5/11/06-MML

GREENE & BRADFORD, INC.
OF SPRINGFIELD
REGISTERED PROFESSIONAL ENGINEERS
ILLINOIS LICENSE NO. 021-00000000
PROFESSIONAL ENGINEERING COMPANY
1001 N. WILSON AVE., SUITE 100
SPRINGFIELD, IL 62761-1000
TEL: 217-223-1111 FAX: 217-223-1112

FILE NAME = I:\04286\W01\DRAWINGS\Southbound\04286-W01-SB-REM.dgn
PLOT DATE = 5/16/2006
PLOT TIME = 2:28:53 PM
OPERATOR = michellel