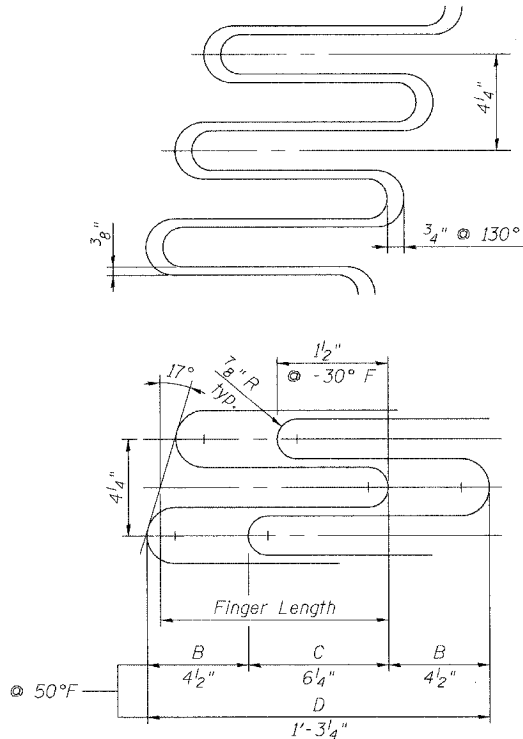
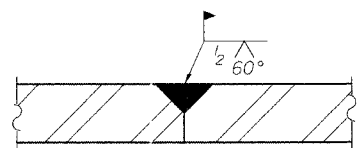
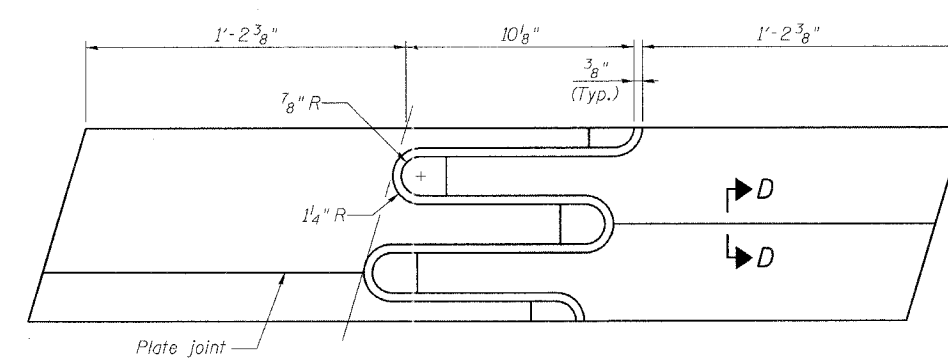
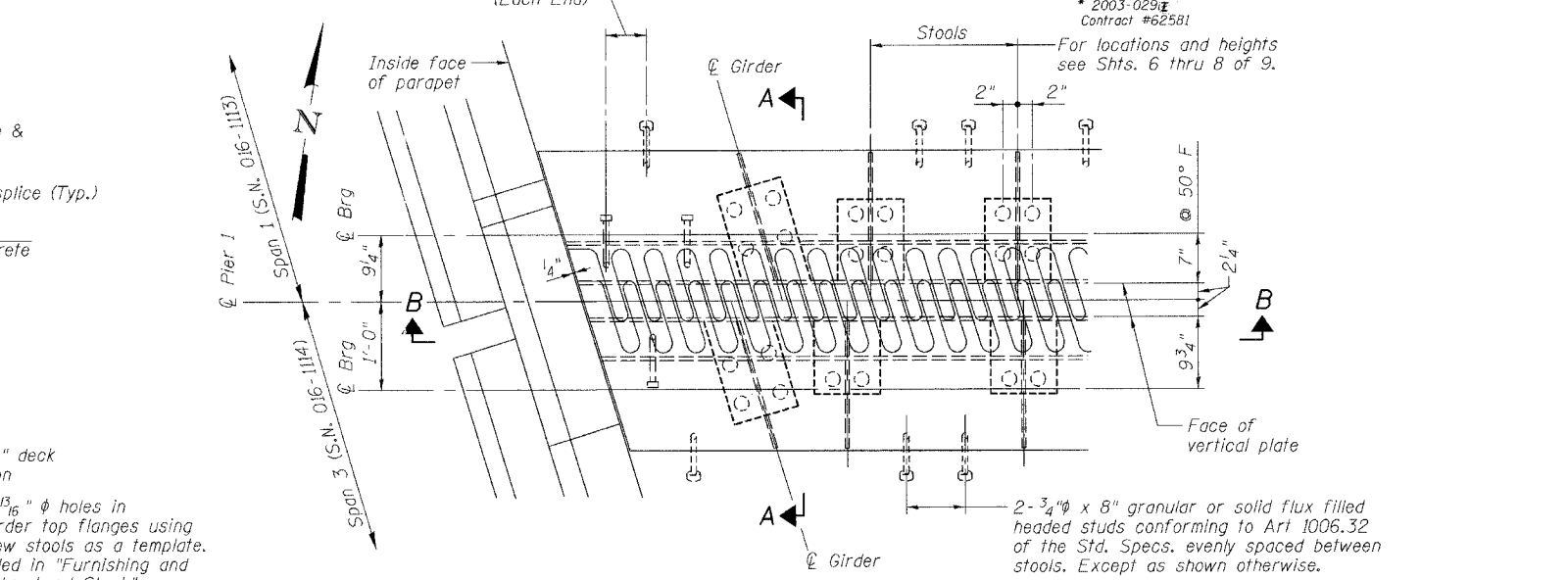
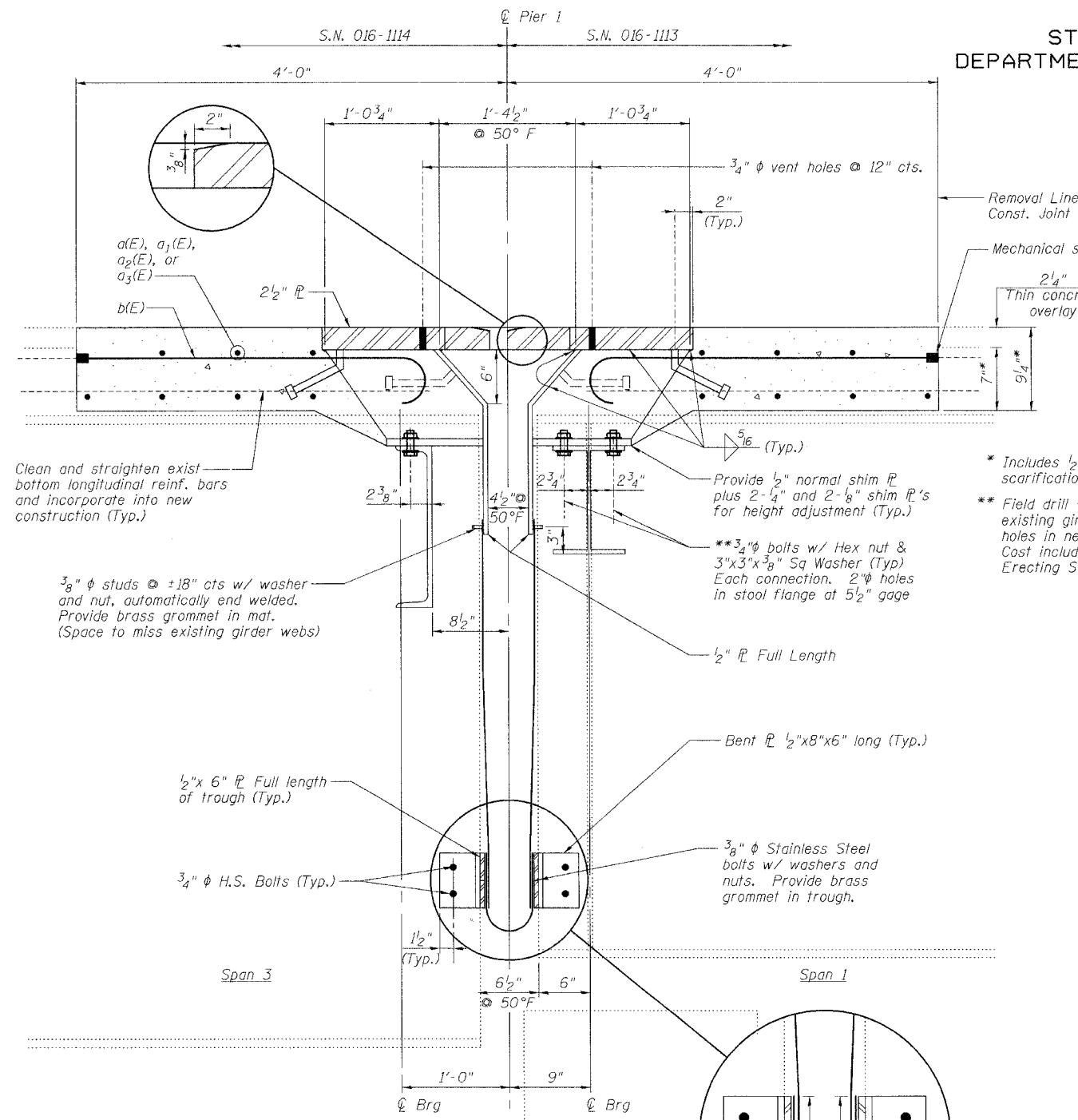


STATE OF ILLINOIS
DEPARTMENT OF TRANSPORTATION

ROUTE NO.	SECTION	COUNTY	POST MILE	SHEET NO.
FAI 90/94	*	COOK	344	247
FED. ROAD DIST. NO.	ILLINOIS	FED. AID PROJECT		

2003-029
Contract #62581

SHEET NO. 4
9 SHEETS



SECTION A-A

SECTION D-D

FINGER DETAIL

NOTES

- The Contractor shall bolt the Stools of the Fingerplate Joint Assembly to the top of existing girders and to the top of new diaphragms, as shown in Section A-A of this drawing.
- Stainless steel bolts, washers and nuts shall meet the requirements of ASTM A193.
- The furnishing and installation of all necessary hardware, stainless steel bolts, studs and washers, plates and angles shall be included with "Furnishing and Erecting Structural Steel".
- For Section B-B, see Sheet 5 of 9.

REVISIONS	
NAME	DATE

ILLINOIS DEPARTMENT OF TRANSPORTATION
PIER 1 JOINT DETAILS

F.A.I. ROUTE 90/94 SOUTHBOUND (DAN RYAN EXPRESSWAY)
OVER SOUTH BRANCH - CHICAGO RIVER
COOK COUNTY
S.N. 016-1113 - PIER 1

SCALE: VERT.
HORIZ.
DATE: 4/7/05

DRAWN BY: LANDREY
DESIGNED BY: SANFORD
CHECKED BY: MATHUR

COMPUTER FILE NO.
04286-W01-SB-FPJ

PROJECT 04286-W01
5/11/06-MML

GREENE & BRADFORD, INC.
OF SPRINGFIELD
REGISTERED PROFESSIONAL ENGINEERS
ILLINOIS LICENSE NO. 0625
PROFESSIONAL DESIGN, INCORPORATED
1011 W. 84th, Suite 100, Springfield, IL 62761
401-782-8444, 401-782-8277, FAX 401-782-8444

FILE NAME = I:\04286\W01\DRAWINGS\Southbound\04286-W01-SB-FPJ.dgn
PLOT SCALE = 0.8
PLOT DATE = 5/16/2006
PLOT TIME = 2:28:23 PM
OPERATOR = mcmiller