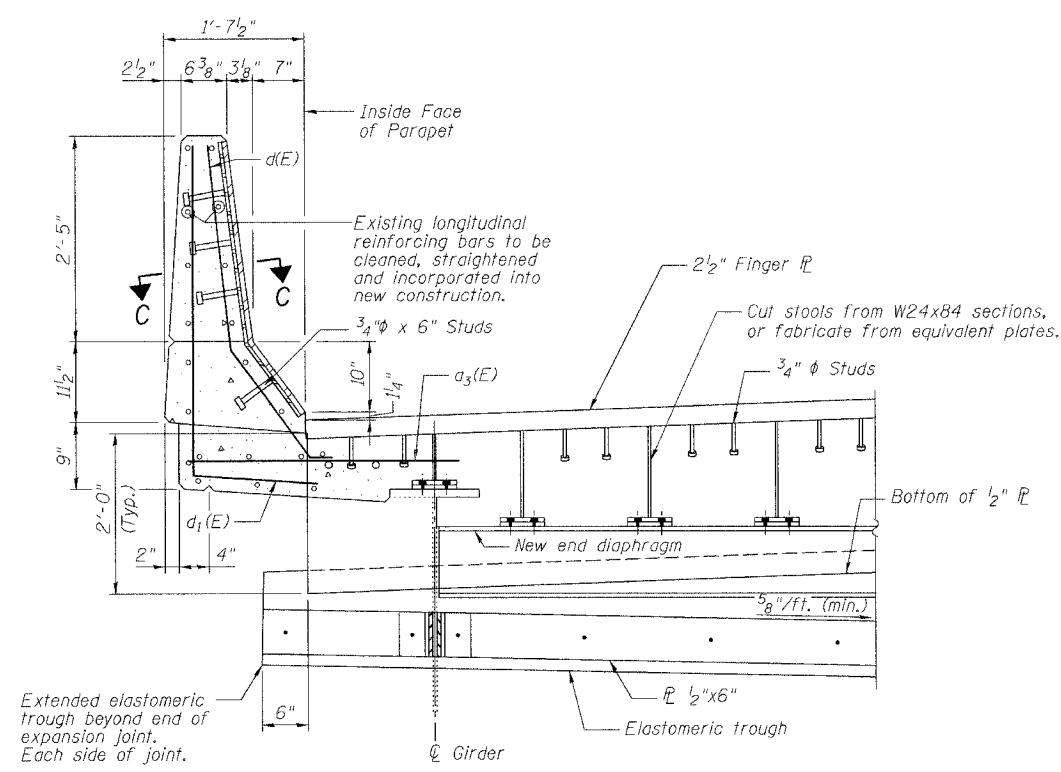


STATE OF ILLINOIS
DEPARTMENT OF TRANSPORTATION

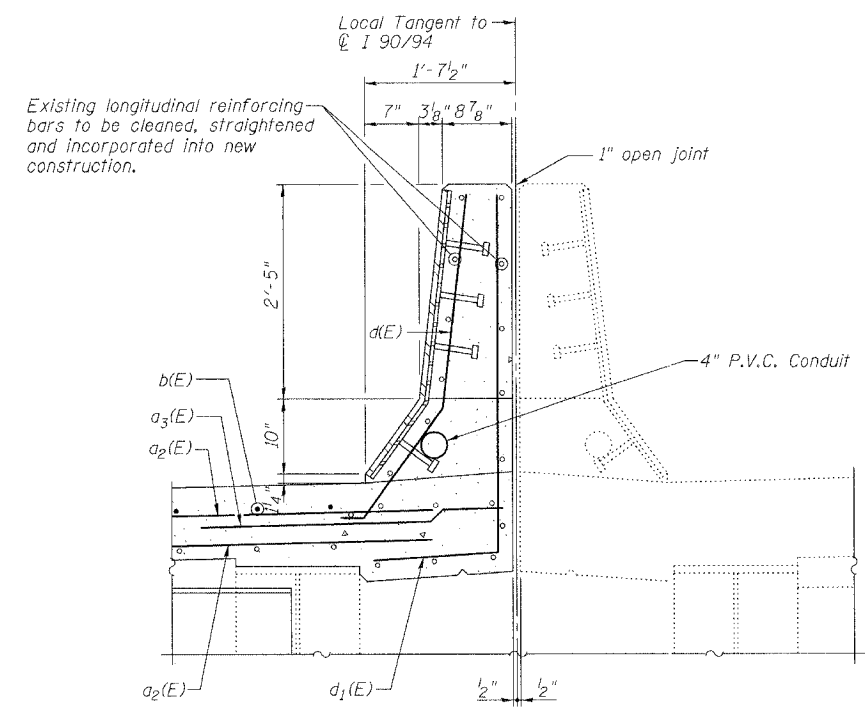
ROUTE NO.	SECTION	COUNTY	SHEET	SHEET
FAI 90/94	*	COOK	344	248
FED. ROAD DIST. NO.	ILLINOIS	FED. AID PROJECT		
* 2003-0291 Contract #62581				

SHEET NO. 5
9 SHEETS



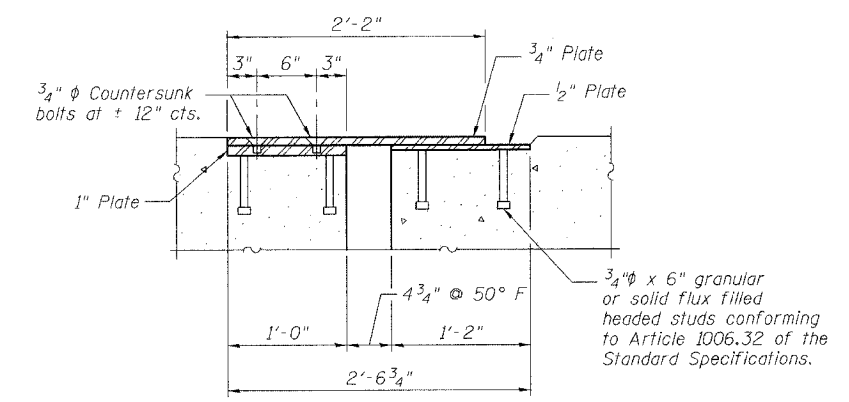
SECTION B-B

(For location of Section B-B, See Sheet 3 of 9)

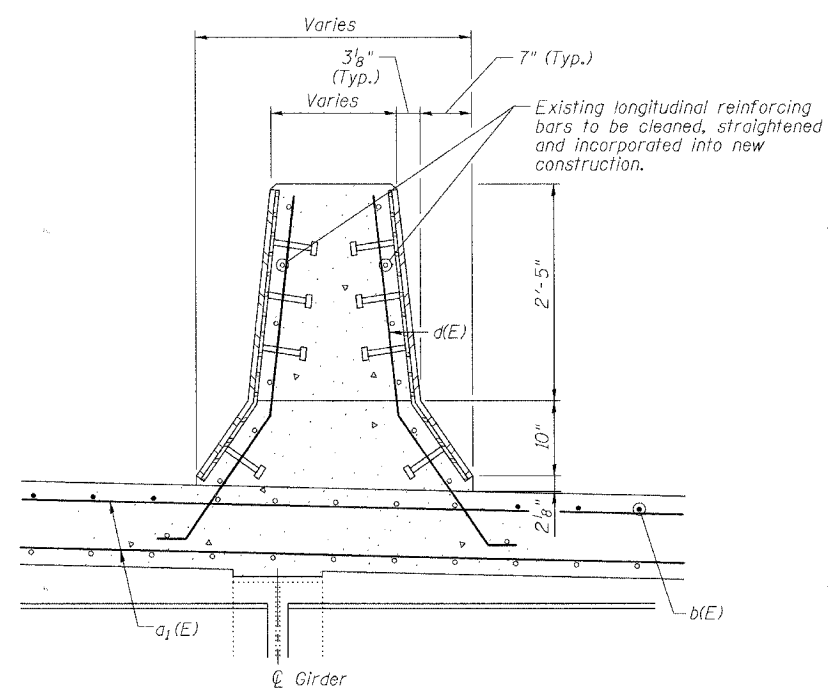


DETAIL AT MEDIAN PARAPET

(Looking North)

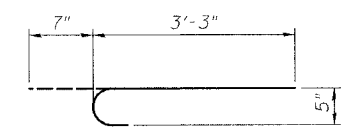


SECTION C-C

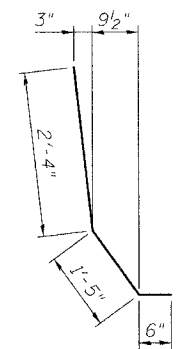


DETAIL AT EXISTING S.B. FAI 90/94 & RAMP A PARAPET

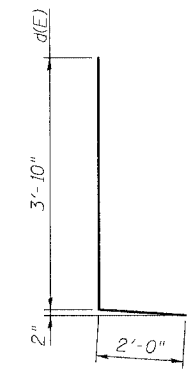
(Dimensions at Rt. L's)
(Looking North)



BAR b(E)



BAR d(E)



BAR d1(E)

BILL OF MATERIAL

Bar	No.	Size	Length	Shape
d(E)	24	#5	18'-6"	—
a1(E)	24	#5	46'-10"	—
a2(E)	24	#5	32'-0"	—
a3(E)	16	#6	4'-6"	—
b(E)	184	#5	3'-10"	C
d(E)	32	#5	4'-3"	—
d1(E)	20	#5	5'-10"	—
Reinforcement Bars, Epoxy Coated			Pound	3540
Concrete Superstructure			Cu. Yd.	26.3
Concrete Removal			Cu. Yd.	22.1
Bar Splicers			Each	48
Mechanical Splice			Each	184

Reinforcing bars designated (E) shall be epoxy coated.

REVISIONS	
NAME	DATE

ILLINOIS DEPARTMENT OF TRANSPORTATION
PARAPET DETAILS
F.A.I. ROUTE 90/94 SOUTHBOUND (DAN RYAN EXPRESSWAY)
OVER SOUTH BRANCH - CHICAGO RIVER
COOK COUNTY
S.N. 016-1113 - PIER 1

SCALE: VERT. _____
HORIZ. _____
DATE: 4/7/05

DRAWN BY: LANDREY
DESIGNED BY: SANFORD
CHECKED BY: MATHUR

GREENE & BRADFORD, INC.
CONSULTING ENGINEERS
CHICAGO, ILLINOIS 60601
OPERATOR

COMPUTER FILE NO.
04286-W01-SB-PD
PROJECT 04286-W01
5/11/06-MML

FILE NAME = J:\04286\W01\DRAWINGS\Southbound\04286-W01-SB-PD.dgn
PLOT SCALE = 1/8" = 1'-0"
PLOT DATE = 2/28/08 PM
OPERATOR = michelle