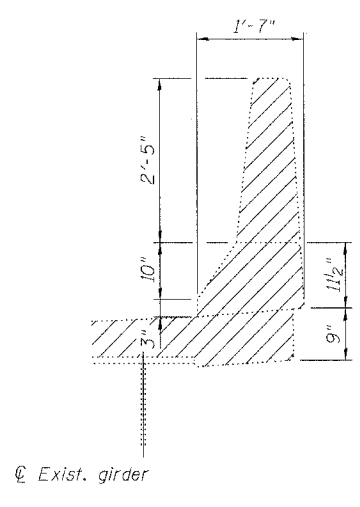
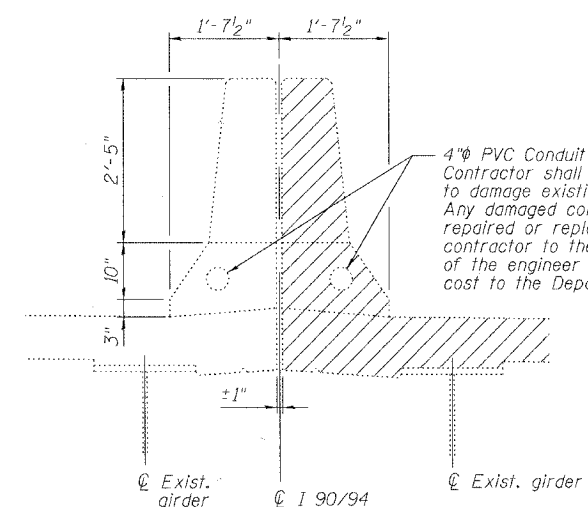
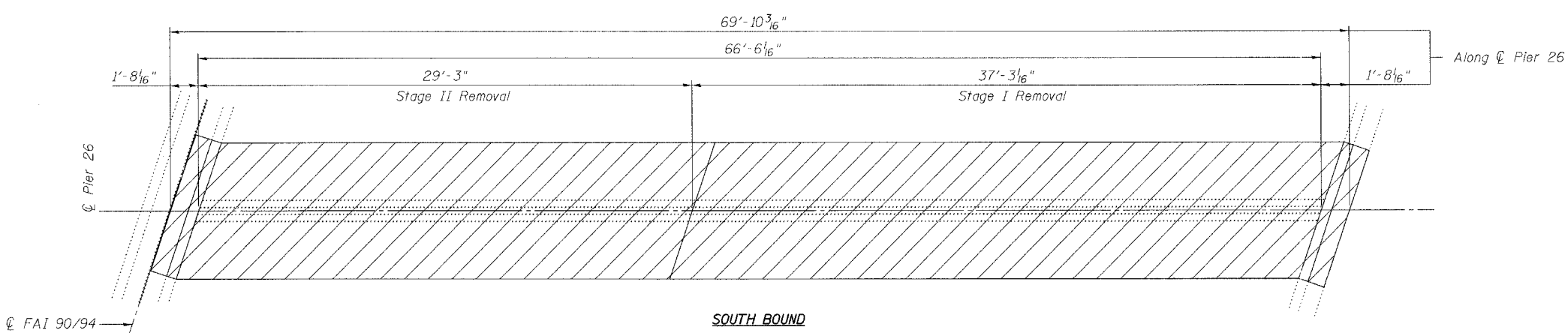
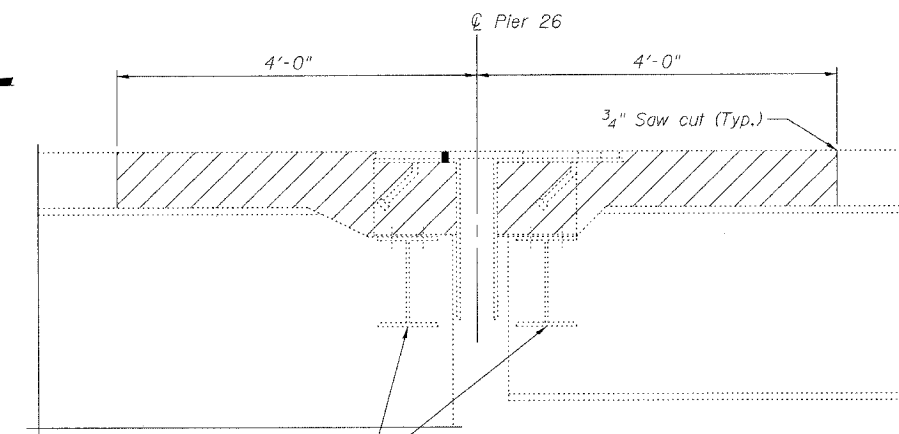
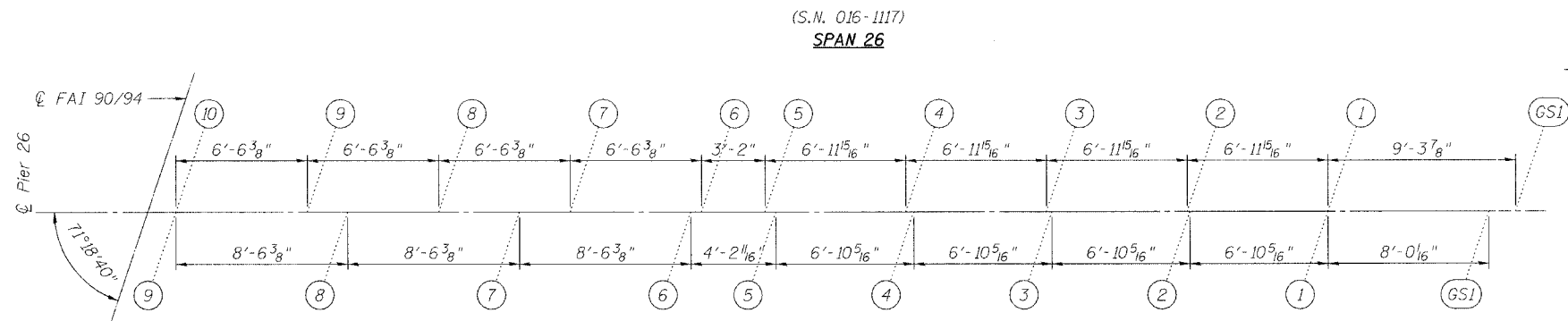


STATE OF ILLINOIS
DEPARTMENT OF TRANSPORTATION

| | | | | |
|---------------------|---------|------------------|----------|-----------|
| ROUTE NO. | SECTION | COUNTY | DISTRICT | SHEET NO. |
| FAI 90/94 | * | COOK | 344 | 254 |
| FED. ROAD DIST. NO. | ELLIPSE | FED. AID PROJECT | | |

SHEET NO. 2
8 SHEETS

* 2003-0294
Contract #62581



Notes:
Hatched Area indicates "Concrete Removal". Existing transverse bars in the deck are placed at right angles to C Roadway. Existing transverse bars extending into removal areas shall be cut to miss the new finger joint, cleaned and incorporated into the new construction. Longitudinal reinforcement extending into removal areas shall be cleaned, straightened and incorporated into the new construction except as noted on Section A-A on Sheet 5.

| REVISIONS | |
|-----------|------|
| NAME | DATE |
| | |
| | |
| | |

ILLINOIS DEPARTMENT OF TRANSPORTATION
**FINGER PLATE EXPANSION JOINT
REMOVAL DETAILS**
F.A.I. ROUTE 90/94 SOUTHBOUND (DAN RYAN EXPRESSWAY)
OVER 28th ST. TO S. STEWART ST.
COOK COUNTY
S.N. 016-1117 - PIER 26

SCALE: VERT. _____
HORIZ. _____
DATE: 4/7/05

DRAWN BY: HEBERLING
DESIGNED BY: SANFORD
CHECKED BY: MATHUR

COMPUTER FILE NO. 04286-W03-SB-REM
PROJECT 04286-W03
5/15/06-MML

GREENE & BRADFORD, INC.
OF SPRINGFIELD
REGISTERED PROFESSIONAL ENGINEERS
PROFESSIONAL DESIGN FIRM NO. 042-0000
2011 785 8044, 2011 785 8227 FAX: 2011 785 8044

FILE NAME = I:\04286\w03\dr-cw\img\scutbound\04286-w03-sb-rem.dgn
PLOT SCALE = 0.1" = 1'-0"
PLOT DATE = 5/16/2006
PLOT TIME = 2:35:11 PM
OPERATOR = micheleib