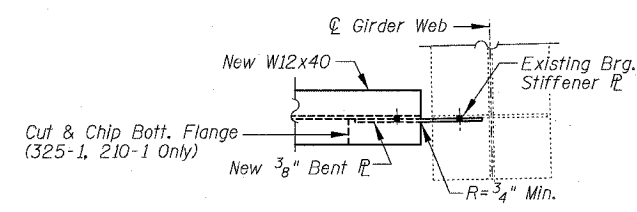
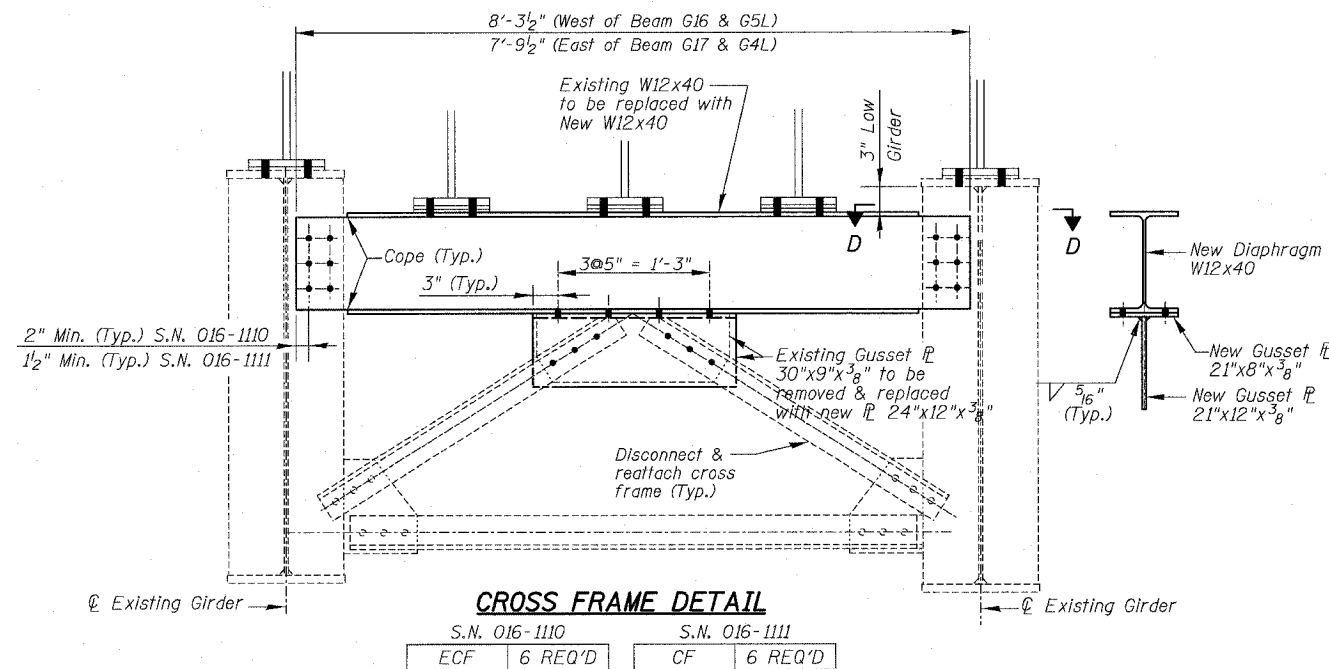


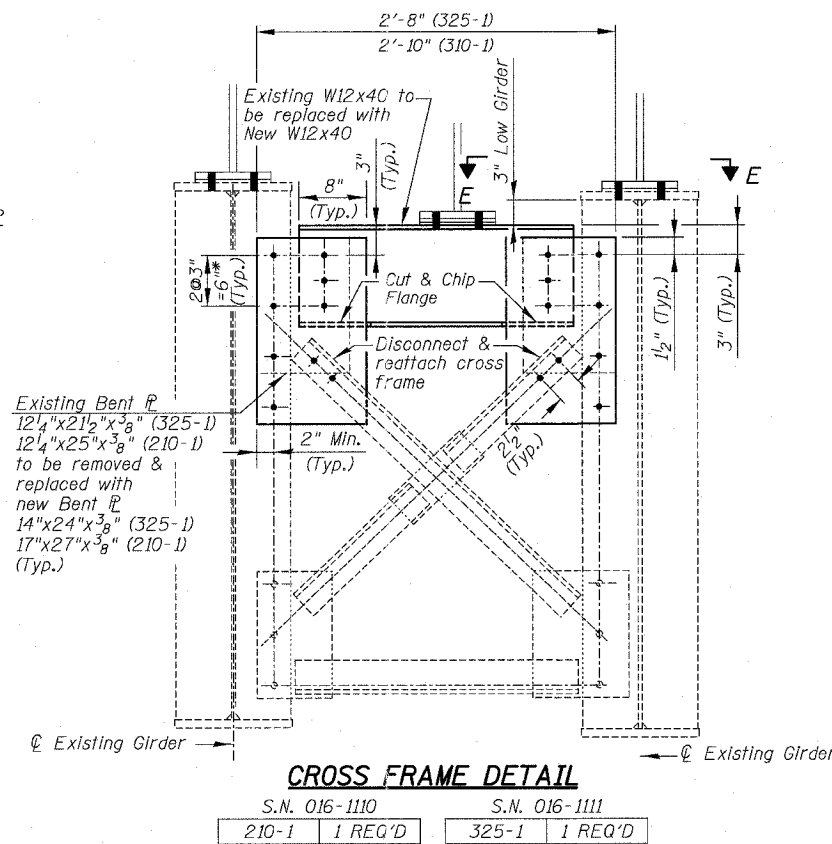
Section D-D



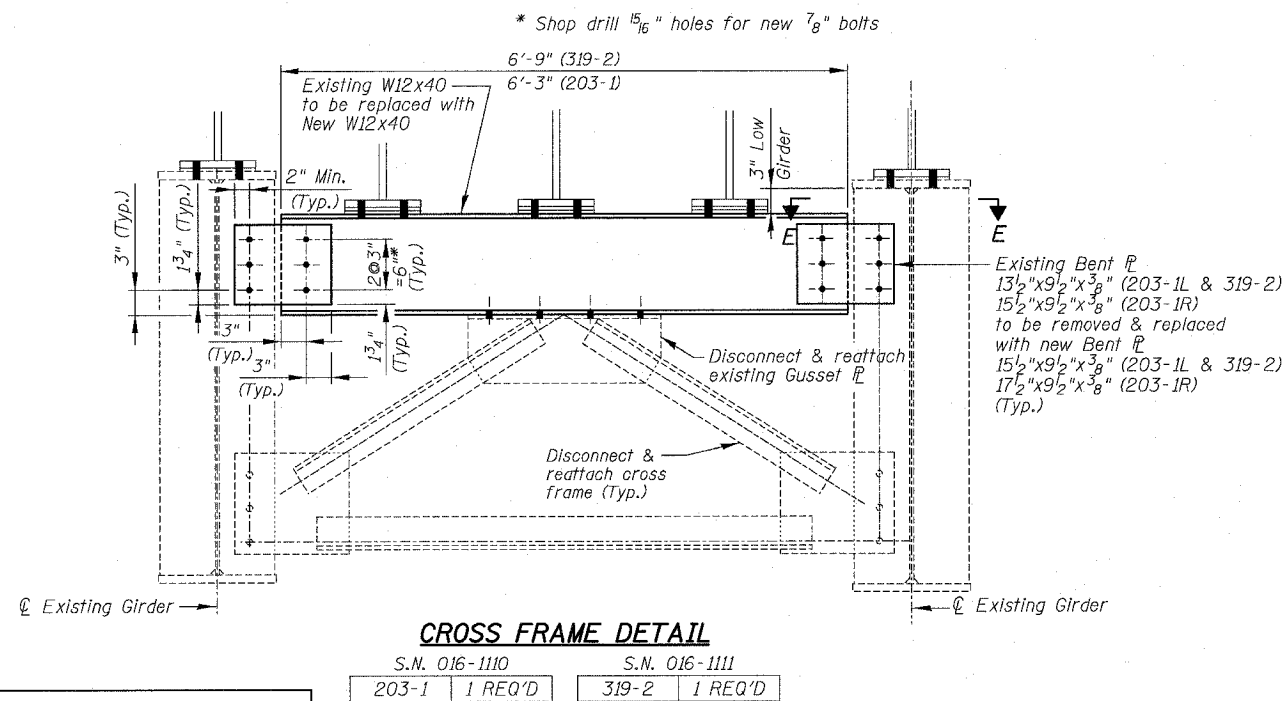
Section E-E



CROSS FRAME DETAIL



CROSS FRAME DETAIL



CROSS FRAME DETAIL

* Shop drill 15/16" holes for new 7/8" bolts

NOTES:

- Use 7/8" H.S. bolts for all cross frame/diaphragm connections at this pier location (excluding stool connections).
- Field drill 15/16" holes for 7/8" bolts. Use 2" min. edge distance for all 7/8" bolts unless otherwise noted.
- Calculated weight of Structural Steel used for the item "Furnishing & Erecting Structural Steel" = 6,300 Lbs. and itemized as follows:
S.N. 016-1110 = 3,080 Lbs
S.N. 016-1111 = 3,220 Lbs
- Calculated weight of Structural Steel used for the item "Structural Steel Removal" = 5,710 Lbs. and itemized as follows:
S.N. 016-1110 = 2,770 Lbs
S.N. 016-1111 = 2,940 Lbs

BILL OF MATERIAL

Item	Unit	Quantity
Furnishing & Erecting Structural Steel	Lum Sum	0.03
Structural Steel Removal	Pound	5,710

REVISIONS		ILLINOIS DEPARTMENT OF TRANSPORTATION	
NAME	DATE	F.A.I. 94/90 (DAN RYAN EXPRESSWAY)	
		SB DAN RYAN ELEVATED BRIDGE	
		REPAIR FROM 15TH TO 28TH STREETS	
		DIAPHRAGM REPLACEMENT	
		PIER 1, SN 016-1110	
		SCALE: NTS	DRAWN BY: BDC
		DATE: 5/25/2006	CHECKED BY: IYL