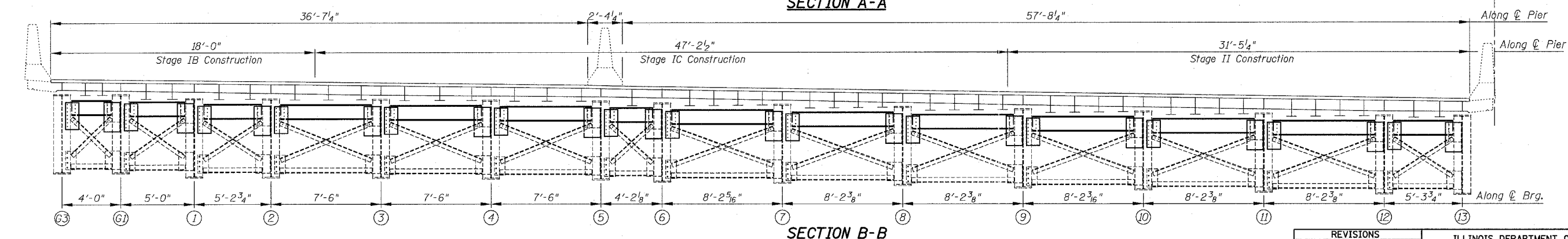
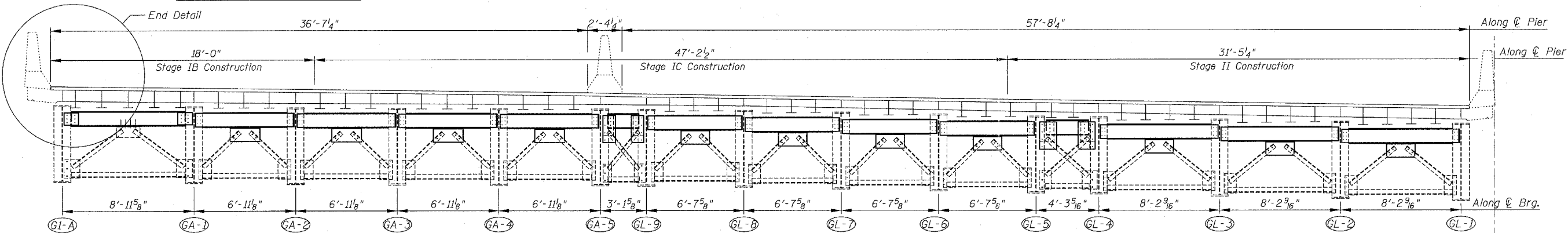
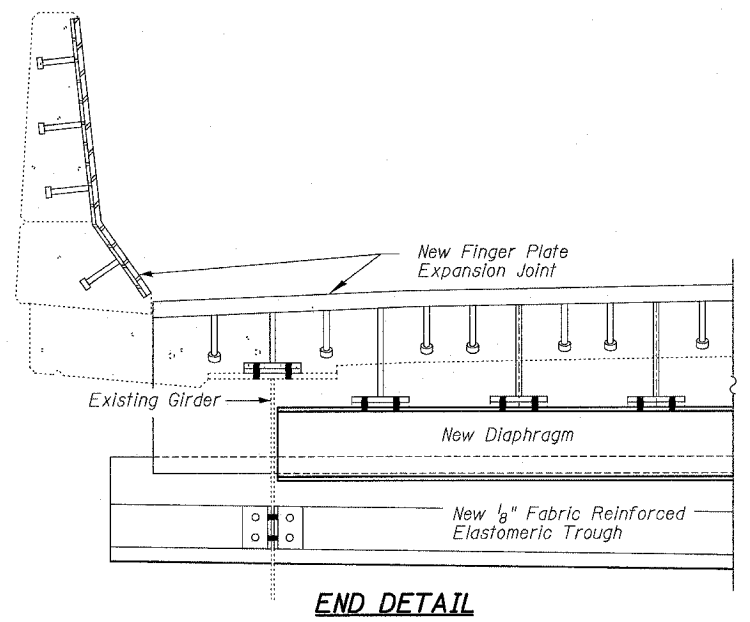
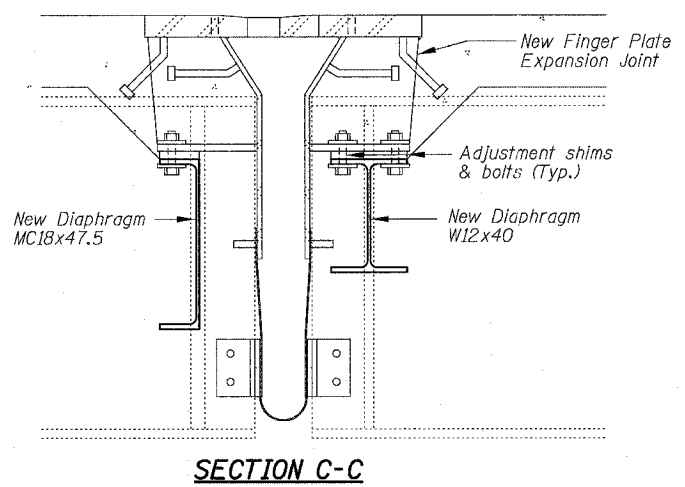
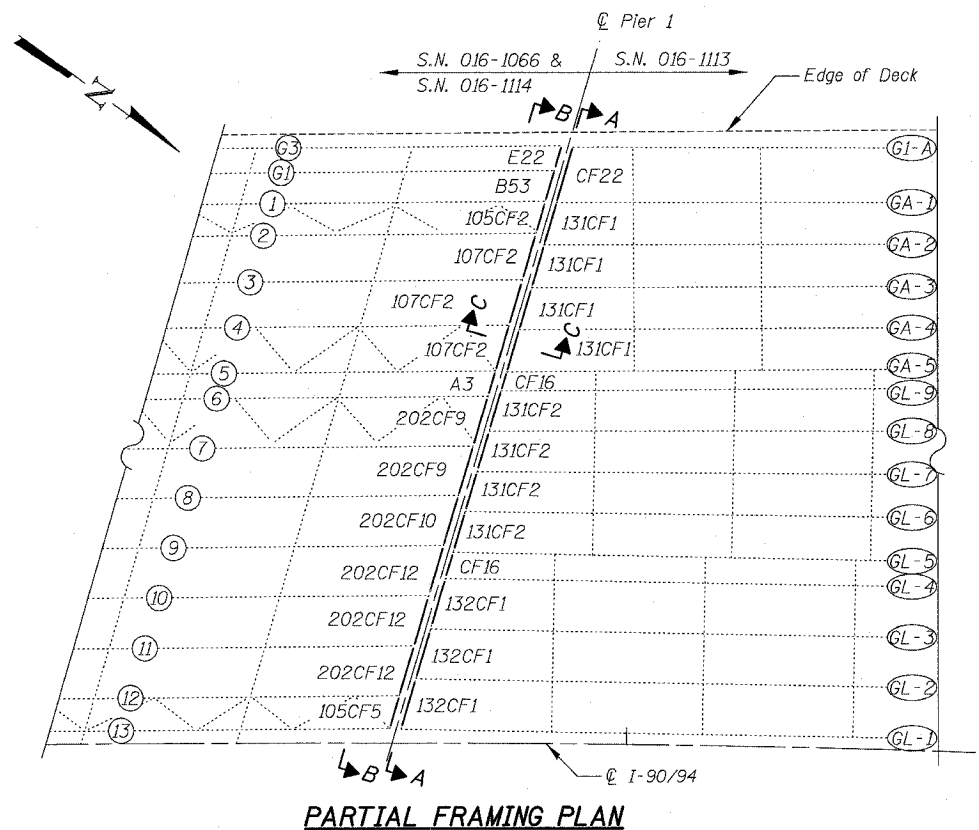


F.A.I.	SECTION	COUNTY	TOTAL SHEETS	SHEET NO.
94/90	2003-0291	COOK	344	269
STA.	TO STA.			
FED. ROAD DIST. NO.	ILLINOIS	FED. AID PROJECT		
62581				



BOWMAN, BARRETT & ASSOCIATES INC.
CONSULTING ENGINEERS
Chicago, Illinois
312.228.0100
www.bbainc.com

REVISIONS	
NAME	DATE

ILLINOIS DEPARTMENT OF TRANSPORTATION
F.A.I. 94/90 (DAN RYAN EXPRESSWAY)
SB DAN RYAN ELEVATED BRIDGE
REPAIR FROM 15TH TO 28TH STREETS
DIAPHRAGM REPLACEMENT
PIER 1, SN 016-1113

SCALE: NTS
DATE: 5/25/2006

DRAWN BY: BDC
CHECKED BY: IYL

4/25/06 5/25/2006