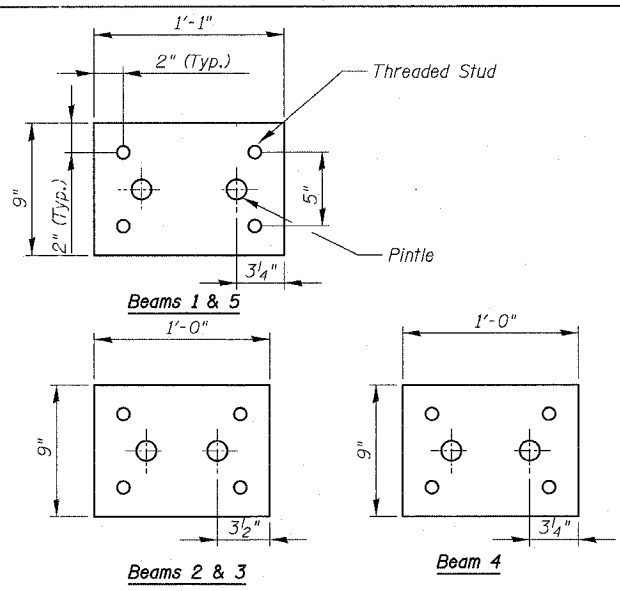
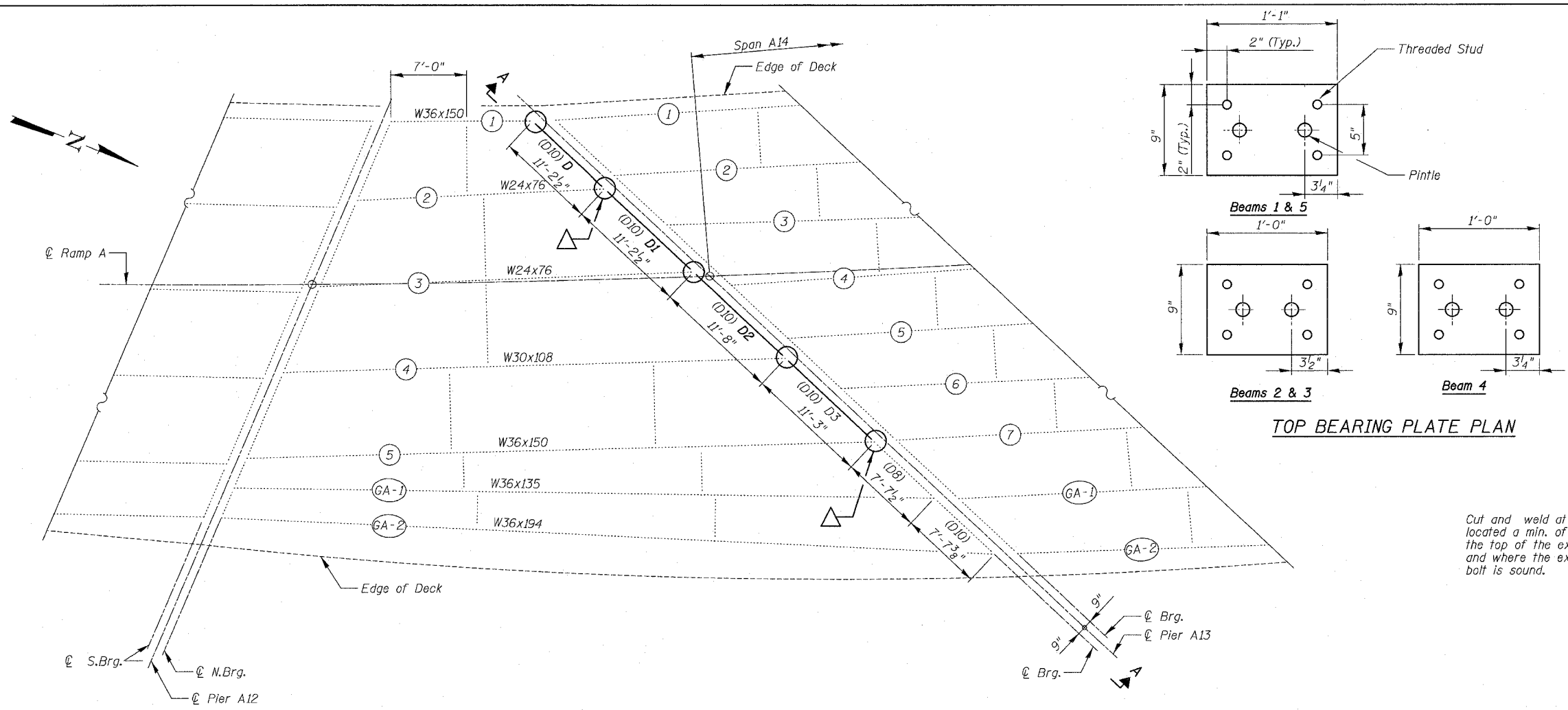


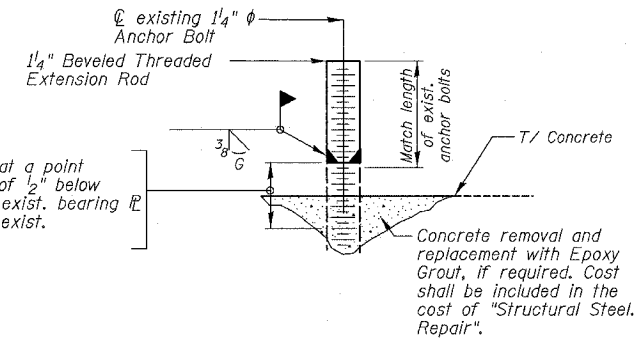
F.A.I.	SECTION	COUNTY	TOTAL SHEETS	SHEET NO.
94/90	2003-0291	COOK	344	273
STA.	TO STA.			
FED. ROAD DIST. NO.	ILLINOIS	FED. AID PROJECT		
62581				

NOTES:

- See Partial Deck Plans for Joint Replacement Details.
- The Contractor shall provide support and/or shoring systems for the slab and beam in the area of existing beam removal and at other locations as required in order to maintain the existing deck profile. The support and/or shoring systems shall be approved by the Engineer. Such approval will not relieve the Contractor of responsibility for the safety of the structure.
- See Sht. 275 for view A-A.



TOP BEARING PLATE PLAN

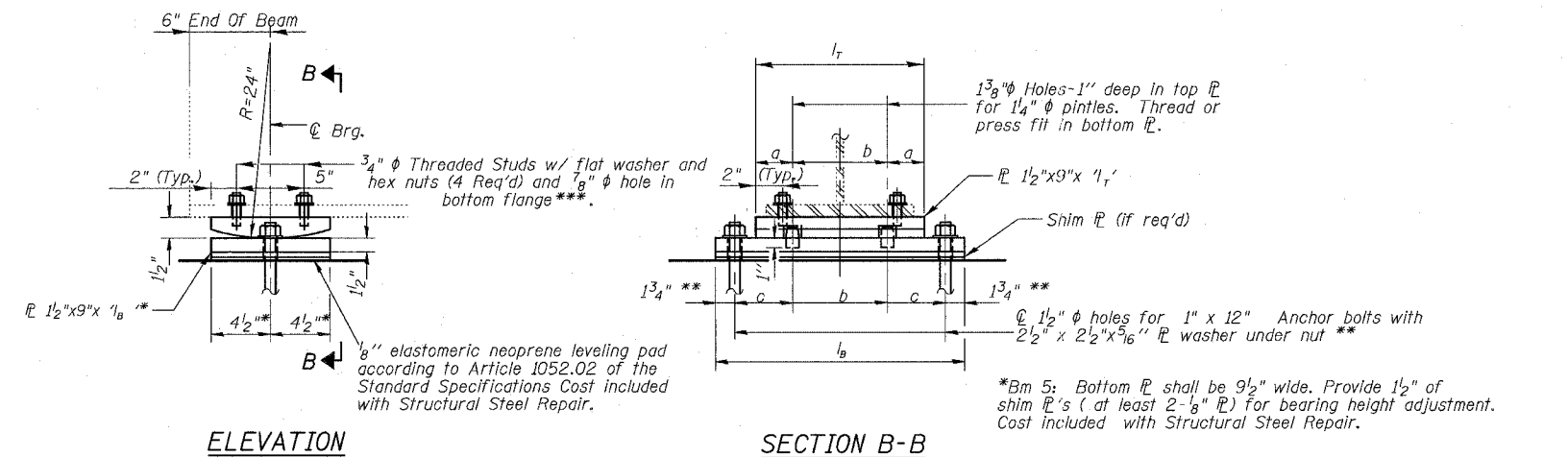


ANCHOR BOLT EXTENSION DETAIL

The furnishing and installation of required Anchor Bolt Extensions shall be included in the cost of "Structural Steel Repair".

PROPOSED FIXED BEARING TABLE

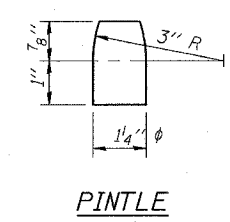
Beam No.	l_b	l_r	a	b	c	Req'd.
1	26"	13"	3 1/4"	6 1/2"	8"	1
2	22"	12"	3 1/2"	5"	6 3/4"	1
3	17 1/2"	12"	3 1/2"	5"	4 1/4"	1
4	22"	12"	3 1/4"	5 1/2"	6 1/2"	1
5	20 1/2"	13"	3 1/4"	6 1/2"	5 1/4"	1



ELEVATION

SECTION B-B

PROPOSED FIXED BEARING



PINTLE

LEGEND:

- Steel Diaphragms to be replaced
- Remove & Replace Exist. Steel Bearing
- △ Concrete Pedestal Work
- (D10) Exist. Diaphragm Designation
- D Prop. Diaphragm Designation

BOWMAN, BARRETT & ASSOCIATES INC.
CONSULTING ENGINEERS
Chicago, Illinois
312.228.0100
www.bbainc.com

REVISIONS		ILLINOIS DEPARTMENT OF TRANSPORTATION	
NAME	DATE	F.A.I. 94/90 (DAN RYAN EXPRESSWAY)	
		SB DAN RYAN ELEVATED BRIDGE	
		PIER A 13 SN 016-1067	
		STEEL REPAIR PLAN	
		SCALE: NTS	DRAWN BY: BDC
		DATE: 5/25/2006	CHECKED BY: IYL

4503 PM 5/25/2006