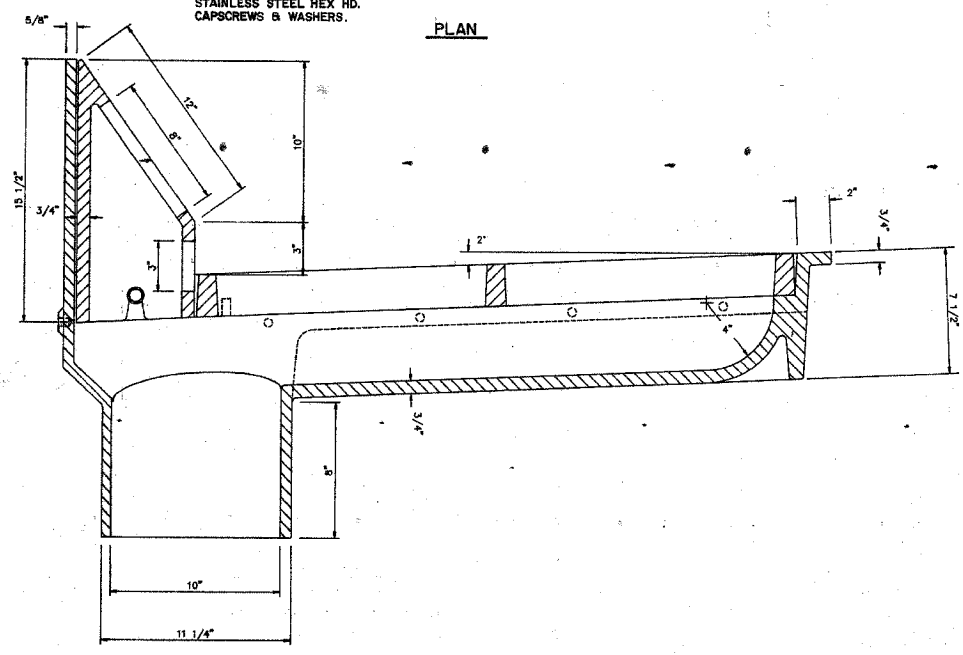
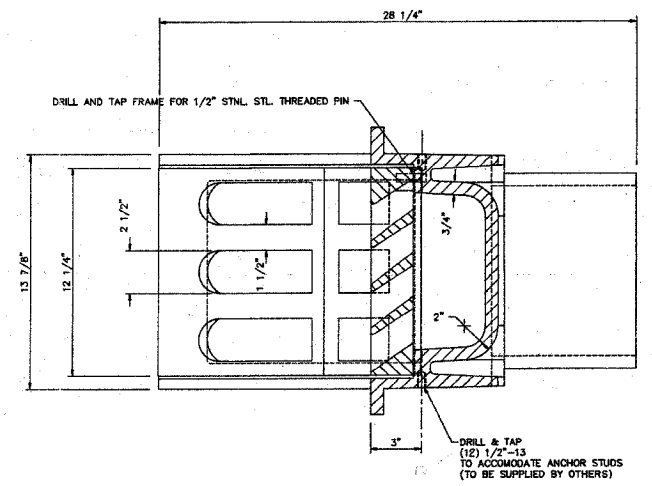
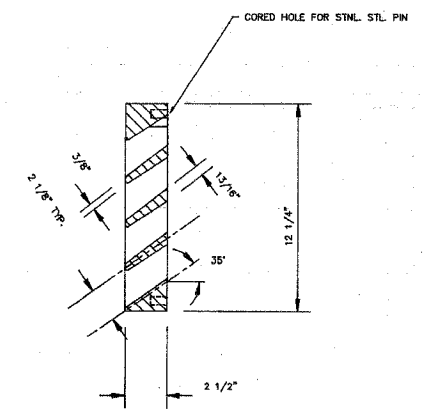
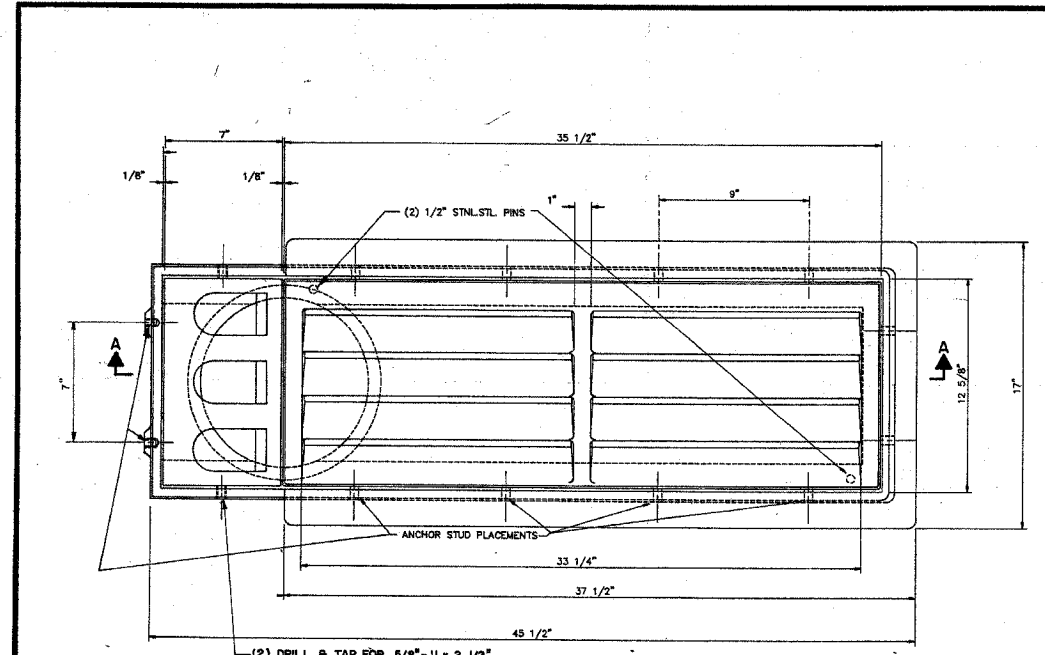


FEDERAL AID ROUTE NO.	SECTION	COUNTY	TOTAL SHEETS	SHEET NO.
90/94	*	COOK	93	57
STA.		TO STA.		
FED. RD. DIST. NO.		ILLINOIS FED. AID PROJECT		

\* 1985 - 082 R



**BRIDGE SCUPPER - TYPE "C"**  
 NF-0332 440  
 ESTIMATED WEIGHT 623\*

STRUCTURE	No. REQUIRED
O16-1110	8
O16-1111	9
O16-1112	23
O16-1113	5
O16-1114	5
O16-1115	5
O16-1116	8
O16-1117	14
O16-1037	10
O16-1067	15
O16-1046	—
O16-1059	5
TOTAL	102

ALL MATERIALS SHOWN ON THIS SHEET ARE FURNISHED UNDER A SEPARATE SUPPLY CONTRACT (SECTION 1985-0831), UNLESS NOTED OTHERWISE.

MATERIAL: CAST GRAY IRON ASTM A-48, CLASS 35B  
 FINISH: NONE

SHEET BS 6 OF BS 6

Name	Date
(1)	

STATE OF ILLINOIS  
 DEPARTMENT OF TRANSPORTATION  
 F.A.I. ROUTE 90/94 (DAN RYAN EXPRESSWAY)  
 SECTION 1985-082 R - COOK COUNTY  
 S.B. MAINLINE RECONSTRUCTION  
 SCUPPERS - ALL STRUCTURES  
 BRIDGE SCUPPER TYPE C  
 Scale: NONE  
 Date: AUGUST 14, 1987  
 Drawn By: CAD  
 Checked By: W.L.B.  
 ENVIRODYNE ENGINEERS INC.  
 Chicago, Illinois

Rev. 12-7-87

BOWMAN, BARRETT & ASSOCIATES INC.  
 CONSULTING ENGINEERS  
 Chicago, Illinois  
 312.228.0100  
 www.bbainc.com

FOR INFORMATION ONLY

REVISIONS	NAME	DATE

ILLINOIS DEPARTMENT OF TRANSPORTATION  
 F.A.I. 94/90 (DAN RYAN EXPRESSWAY)  
 SB DAN RYAN ELEVATED BRIDGE  
 REPAIR FROM 15TH TO 28TH STREETS  
 EXISTING PLAN INFORMATION

SCALE: NTS  
 DATE: 5/25/2006  
 DRAWN BY: MTR  
 CHECKED BY: BLU

5/23/2006 5:06:40 PM