

F.A. RTE.	SECTION	COUNTY	TOTAL SHEETS	SHEET NO.
VAR.	2003-0671	VARIOUS	27	25
STA.		TO STA.		
FED. ROAD DIST. NO.	ILLINOIS	FED. AID PROJECT		

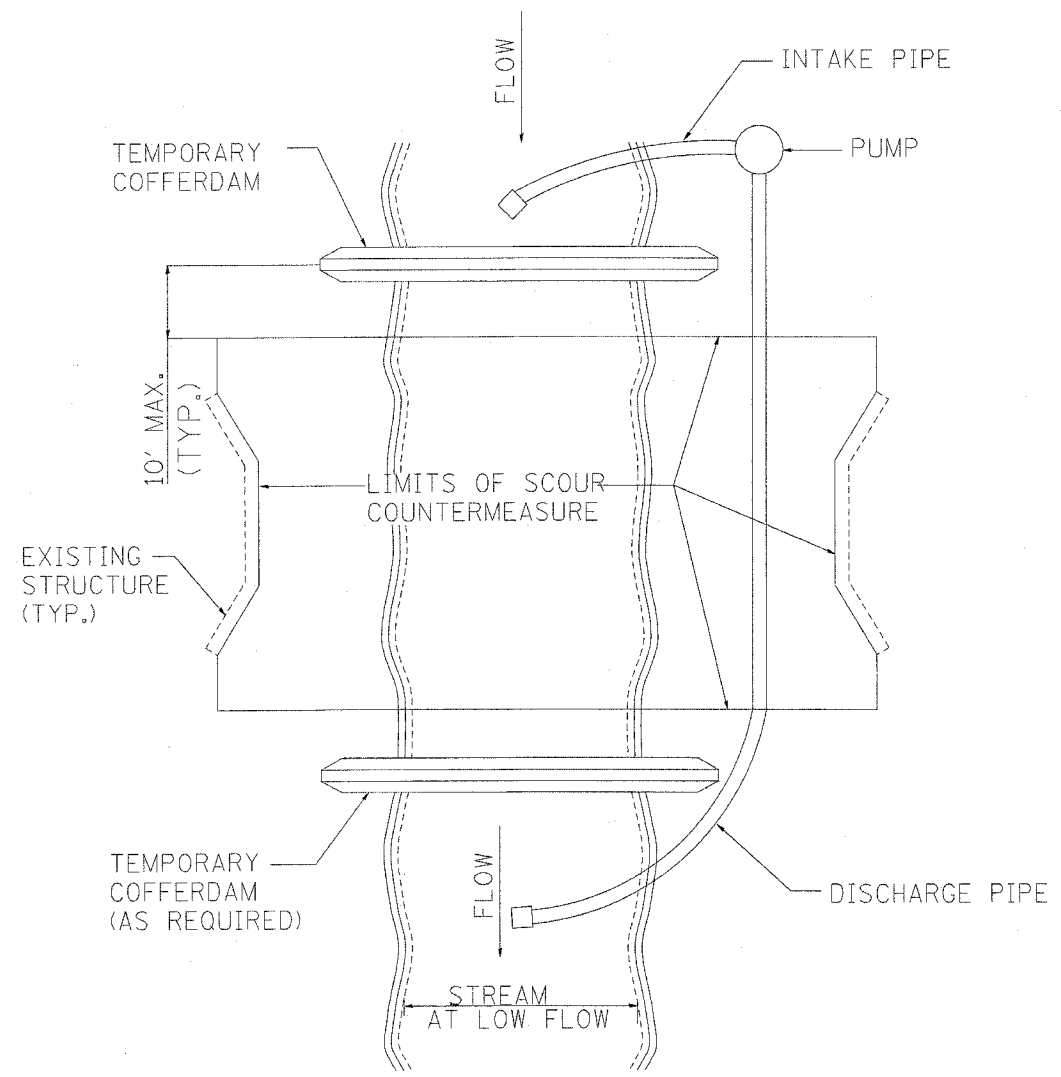


FIGURE D1. TEMPORARY COFFERDAM WITH PUMP BYPASS

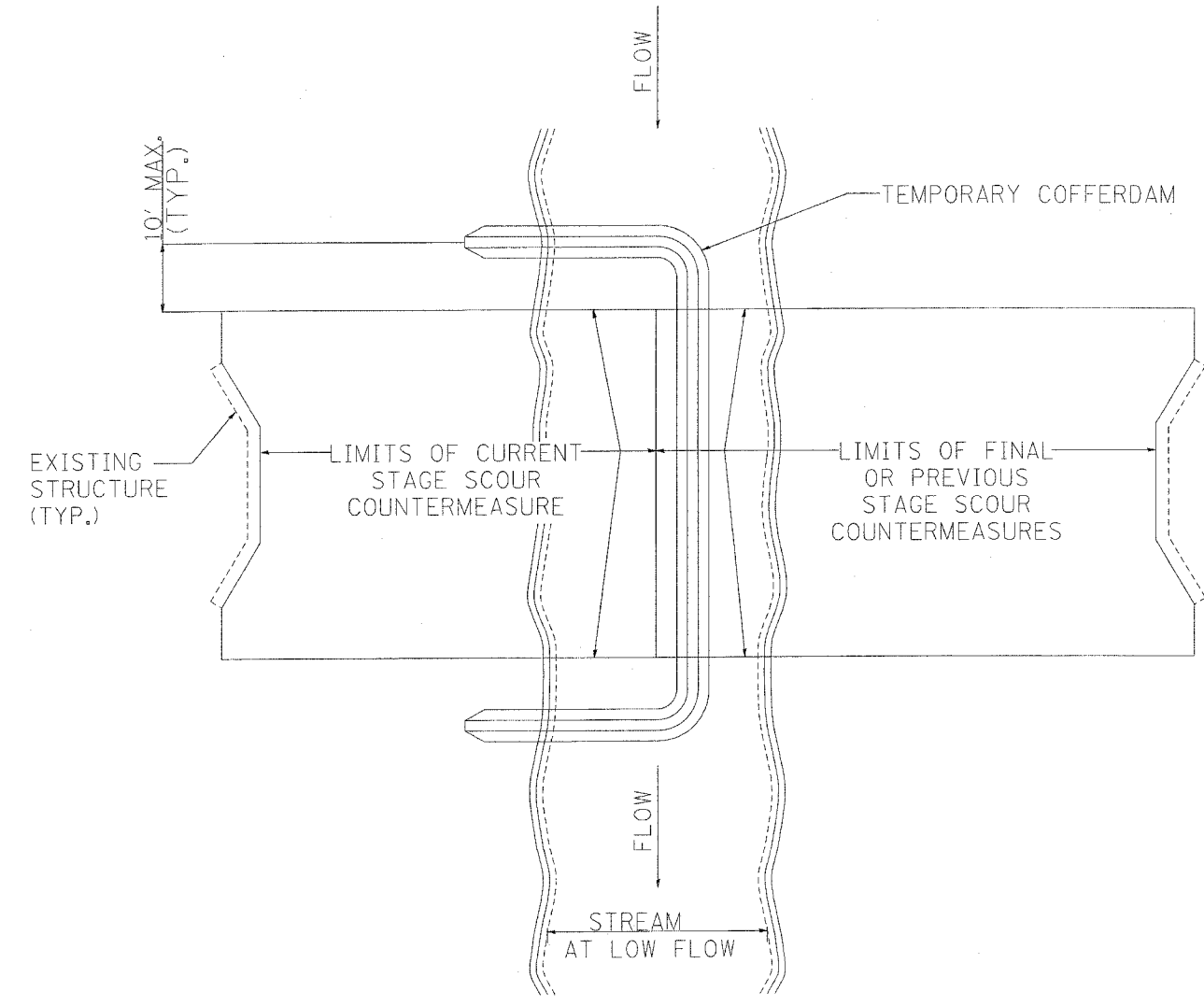


FIGURE D2. STAGED IN-STREAM COFFERDAM DIVISION

NOTE: DEWATERING SYSTEM DETAILS SHALL BE USED IN CONJUNCTION WITH THE PROJECT SPECIAL PROVISIONS.

REVISIONS		ILLINOIS DEPARTMENT OF TRANSPORTATION
NAME	DATE	
		DEWATERING SYSTEM DETAILS VARIOUS ROUTES VARIOUS COUNTIES
SCALE: VERT. HORIZ.		DRAWN BY CHECKED BY
DATE 5/12/2006		

PLOT DATE = 5/12/2006
 FILE NAME = c:\projects\adistat\main\dewatering.dgn
 PLOT SCALE = 40,000 / IN.
 REFERENCE = REF#

5/12/2006
 c:\projects\adistat\main\dewatering.dgn
 smltk1