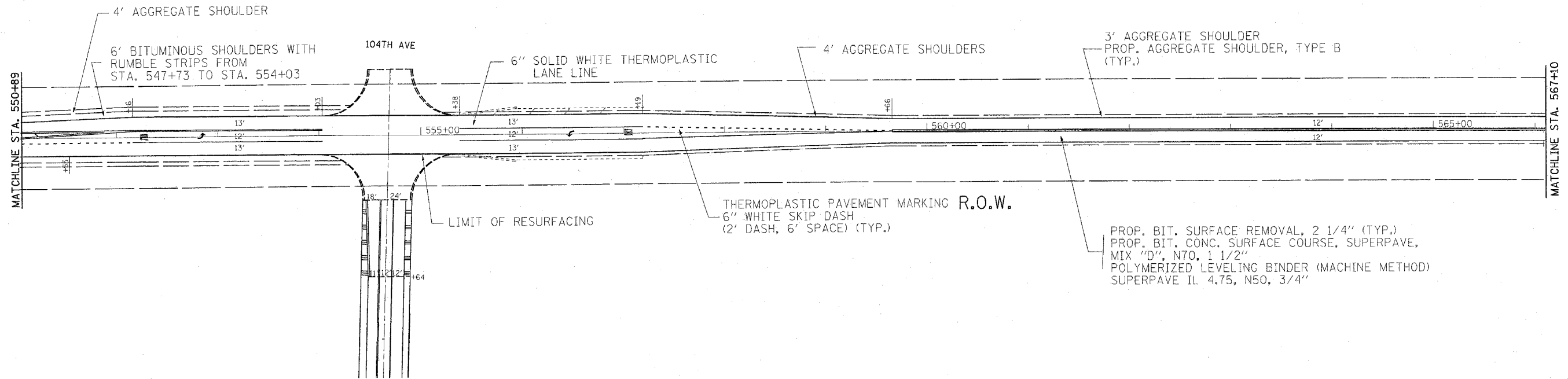


CONTRACT NO. 62923

F.A.U. RTE.	SECTION	COUNTY	TOTAL SHEETS	SHEET NO.
158T	3098_BS-4	COOK	32	13
STA.	TO STA.			
FED. ROAD DIST. NO. ILLINOIS FED. AID PROJECT				

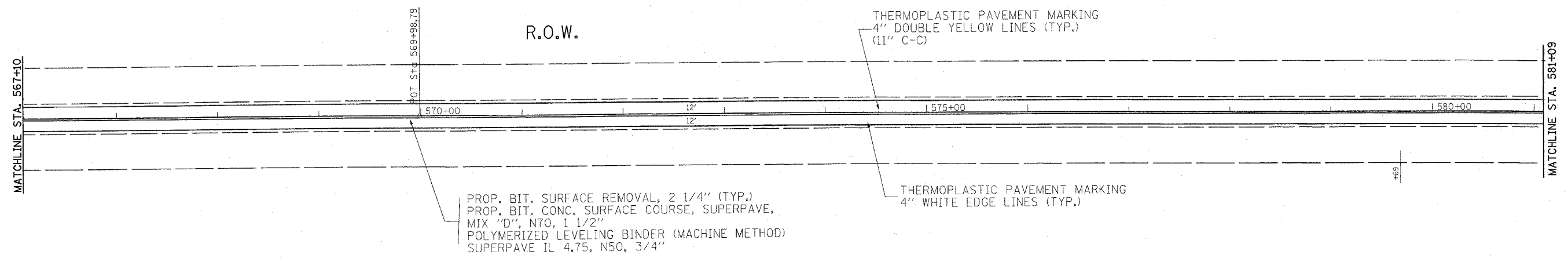
MCCARTHY ROAD



PROP. BIT. SURFACE REMOVAL, 2 1/4" (TYP.)  
 PROP. BIT. CONC. SURFACE COURSE, SUPERPAVE,  
 MIX "D", N70, 1 1/2"  
 POLYMERIZED LEVELING BINDER (MACHINE METHOD)  
 SUPERPAVE IL 4.75, N50, 3/4"

THERMOPLASTIC PAVEMENT MARKING R.O.W.  
 6" WHITE SKIP DASH  
 (2' DASH, 6' SPACE) (TYP.)

LIMIT OF RESURFACING



PROP. BIT. SURFACE REMOVAL, 2 1/4" (TYP.)  
 PROP. BIT. CONC. SURFACE COURSE, SUPERPAVE,  
 MIX "D", N70, 1 1/2"  
 POLYMERIZED LEVELING BINDER (MACHINE METHOD)  
 SUPERPAVE IL 4.75, N50, 3/4"

THERMOPLASTIC PAVEMENT MARKING  
 4" DOUBLE YELLOW LINES (TYP.)  
 (11" C-C)

THERMOPLASTIC PAVEMENT MARKING  
 4" WHITE EDGE LINES (TYP.)

R.O.W.

PLT DATE = 4/5/2006  
 FILE NAME = \\d15005\d15005\62923.dgn  
 PLOT SCALE = 5/8" = 1' / IN.  
 USER NAME = bmk1

REVISIONS	
NAME	DATE

ILLINOIS DEPARTMENT OF TRANSPORTATION

MCCARTHY ROAD  
 PAVEMENT MARKING/ROADWAY PLANS

SCALE: VERT. \_\_\_\_\_  
 HORIZ. \_\_\_\_\_

DATE \_\_\_\_\_ DRAWN BY \_\_\_\_\_  
 CHECKED BY \_\_\_\_\_