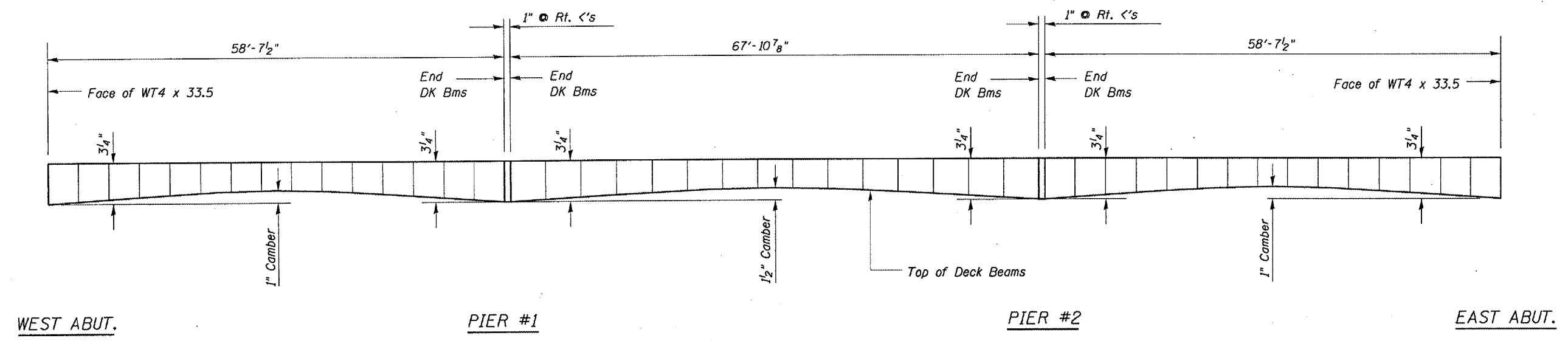
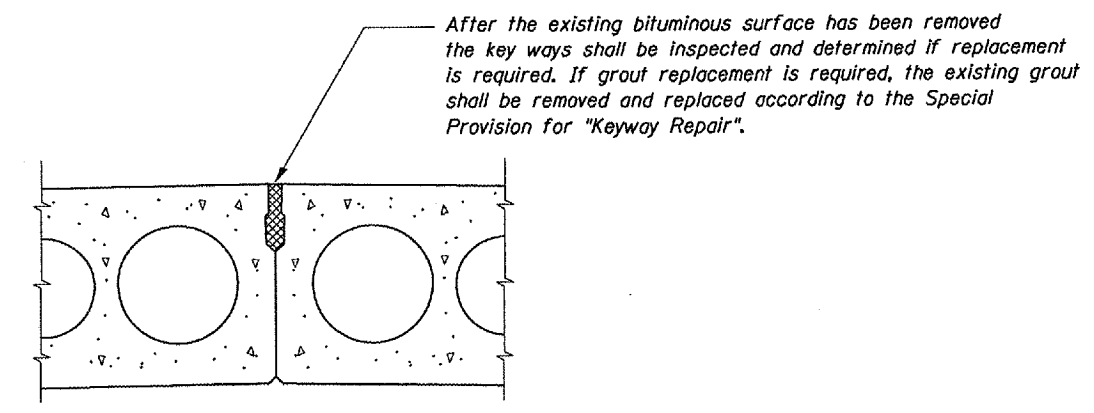


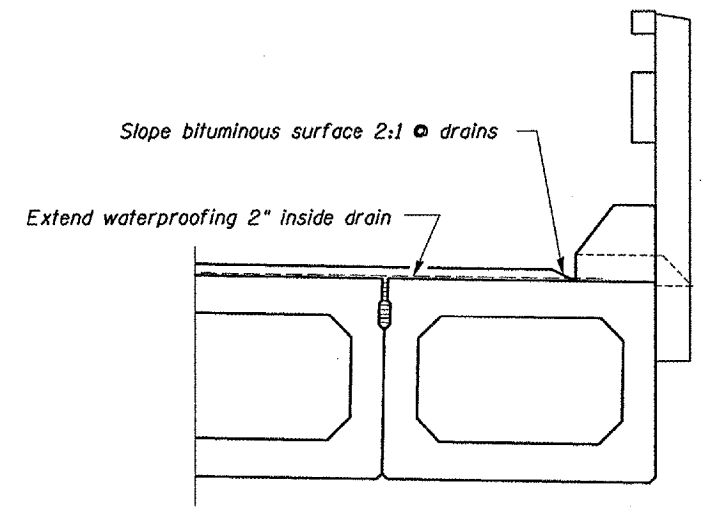
CONTRACT NO. 66614				
FAP R.T.E.	SECTION	COUNTY	TOTAL SHEETS	SHEET NO.
317	(25B-1)I	LIVINGSTON	21	7
STA. 472+94.25		TO STA. 474+79.75		



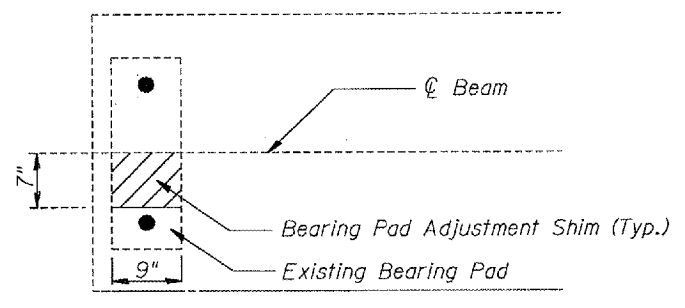
BITUMINOUS SURFACING PROFILE



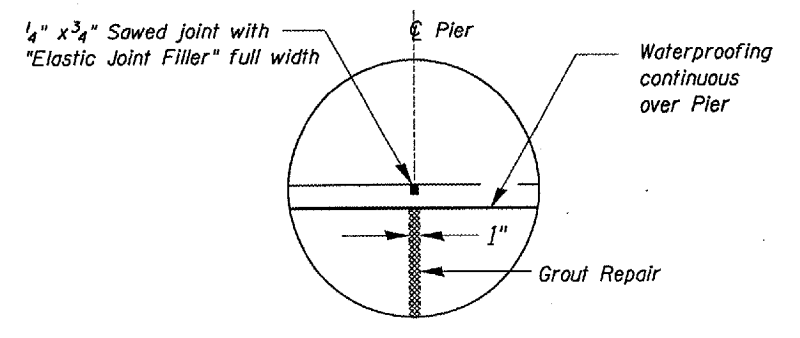
KEYWAY REPAIR



CURB SECTION



BEARING PAD ADJUSTMENT SHIM



DETAIL B SECTION THRU PIER

REVISIONS	
NAME	DATE

ILLINOIS DEPARTMENT OF TRANSPORTATION
DECK RESURFACING DETAILS
FAP ROUTE 317 SECTION (25B-1)I
LIVINGSTON COUNTY
STA. 473+87
 DATE 09/27/2005 DRAWN BY RW

DATE: 06/21/2005
 FILE: c:\projects\cm07\cm301\details.dgn