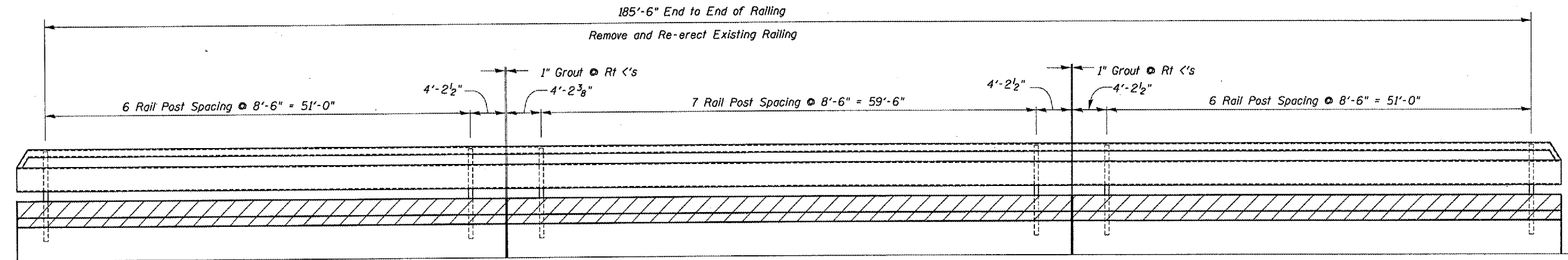
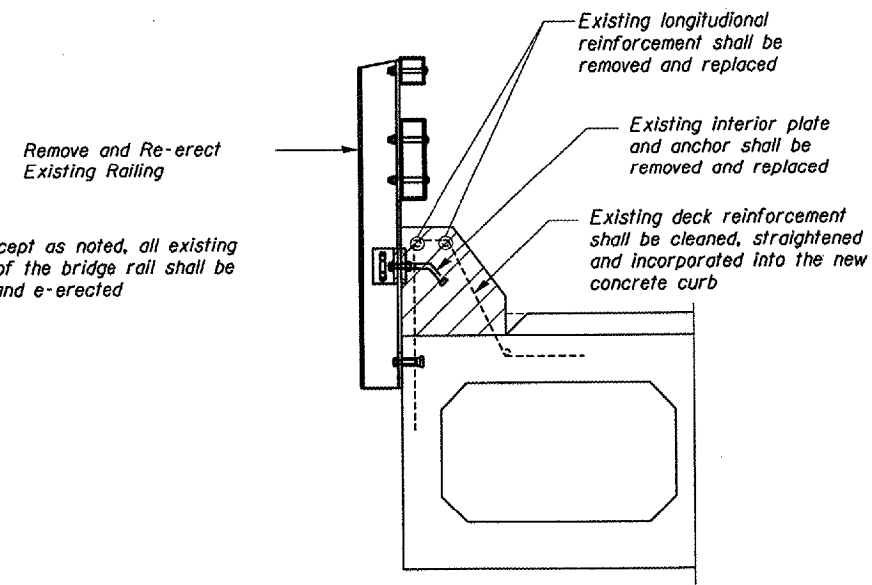


CONTRACT NO. 66614			
FAP RTE.	SECTION	COUNTY	TOTAL SHEETS
317	(25B-1)I	LIVINGSTON	21
SHEET NO.		12	
STA. 472+94.25		TO STA. 474+79.75	

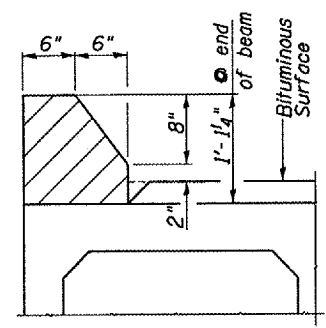


ELEVATION



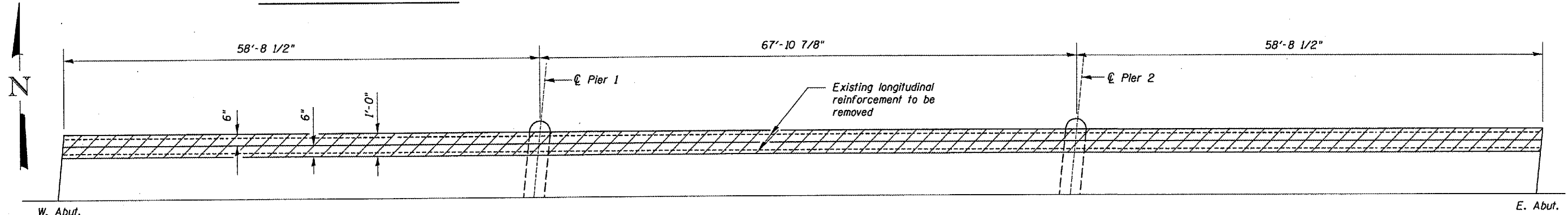
NOTE: Except as noted, all existing elements of the bridge rail shall be salvaged and e-erected

CURB SECTION
DIMENSIONS



CURB REMOVAL AND REPLACEMENT

CURB SECTION



PLAN

REVISIONS	
NAME	DATE

ILLINOIS DEPARTMENT OF TRANSPORTATION
EXISTING CURB DETAILS
 FAP ROUTE 317 SECTION (25B-1)I
 LIVINGSTON COUNTY
 STA. 473 + 87

DATE 09/27/2005 DRAWN BY RW

DATE: 09/27/2005
 FILE: c:\projects\main06\cm322\details.dgn