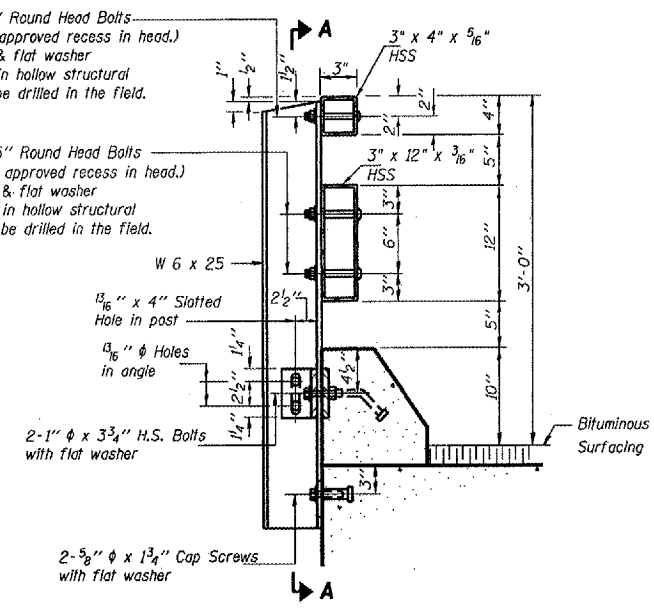
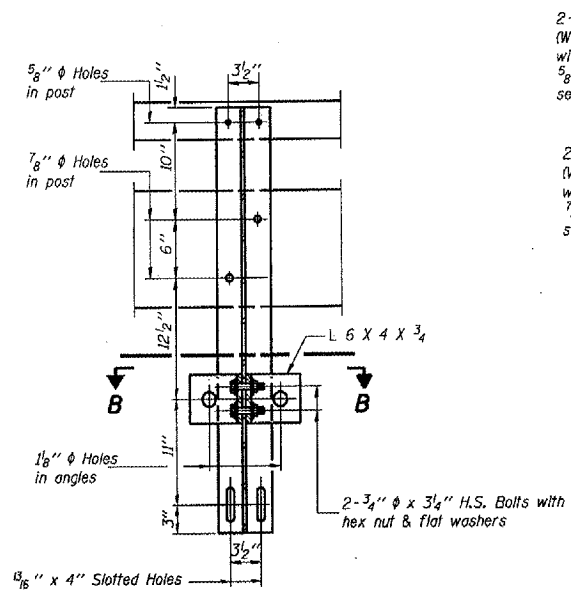
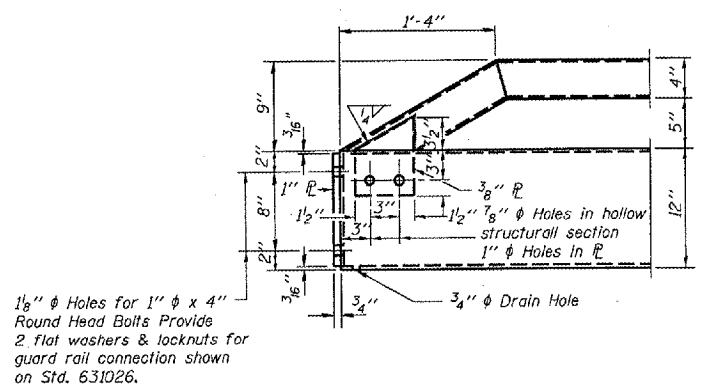


FAP RTE.	SECTION	COUNTY	TOTAL SHEETS	SHEET NO.
317	(25B-1)I	LIVINGSTON	21	14
STA. 472+94.25		TO STA. 474+79.75		



NOTES

Hollow structural sections shall conform to the requirements of ASTM designation A 500 Grade B Structural Steel Tubing and shall meet the longitudinal CVN requirements of 15 ft-lbs. at 0 °F.

All other steel shapes and plates shall conform to the requirements of AASHTO M 270 Grade 36 except posts and angles shall conform to AASHTO M 270, Grade 50.

Bolts, cap screws, and nuts shall conform to the requirements of ASTM designation A 307 except for high strength bolts, nuts and washers noted which shall conform to AASHTO M 164.

All bolts, nuts, cap screws, washers and lock washers shall be galvanized according to AASHTO M 232.

All posts, railing, rail splices, anchor devices and angles shall be galvanized after shop fabrication according to AASHTO M 111 and ASTM A 385. Galvanized rail shall not be painted.

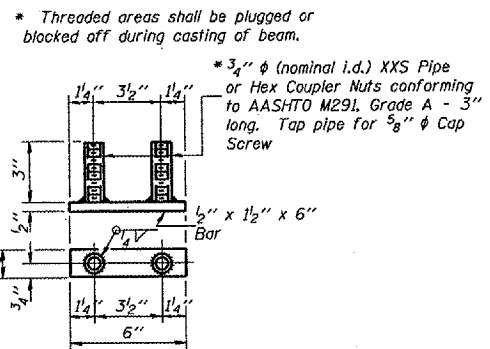
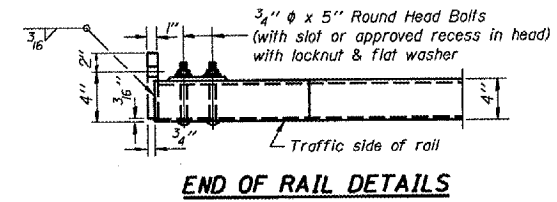
Railing shall be according to Section 509 of the Standard Specifications, except as noted, and will be paid for at the contract unit price per foot for STEEL RAILING, TYPE T-1.

All field drilled holes shall be coated with an approved zinc rich paint before erection.

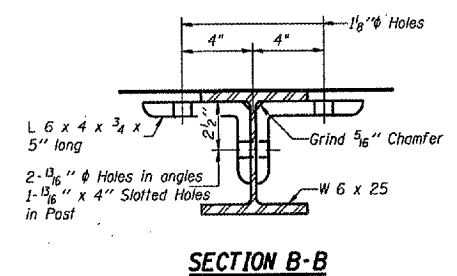
The lower portion of the post flange in contact with concrete shall receive two coats of asphalt paint conforming to Section 1060.07 Type II or place 1/8" fabric bearing pad between the post and concrete.

The 3/4" φ high strength bolts used to connect the 6 x 4 x 3/4 angles to the post shall be tightened according to Article 505.04(FX2) of the Standard Specifications. The 1" φ high strength bolts connecting the angles to the concrete shall be tightened to a snug fit and given an additional 1/8 turn. The 5/8" φ cap screws in bottom of posts shall be tightened to a snug fit only.

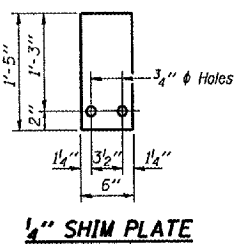
For multi-span bridges, sufficient 1/4" x 6" x 1'-5" galvanized steel shims shall be provided to align rail between adjacent spans. Cost included with Steel Railing.



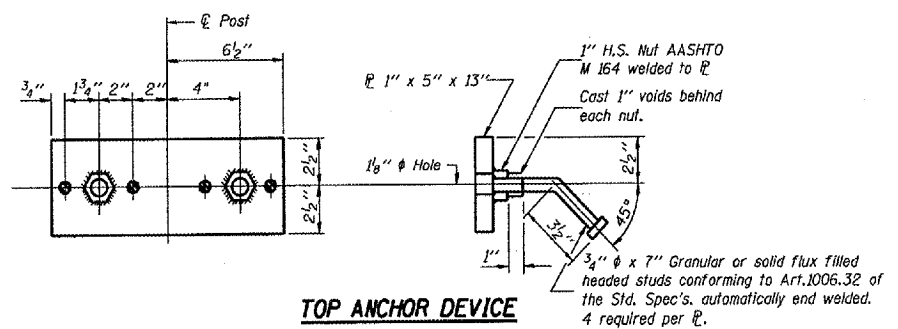
BOTTOM ANCHOR DEVICE



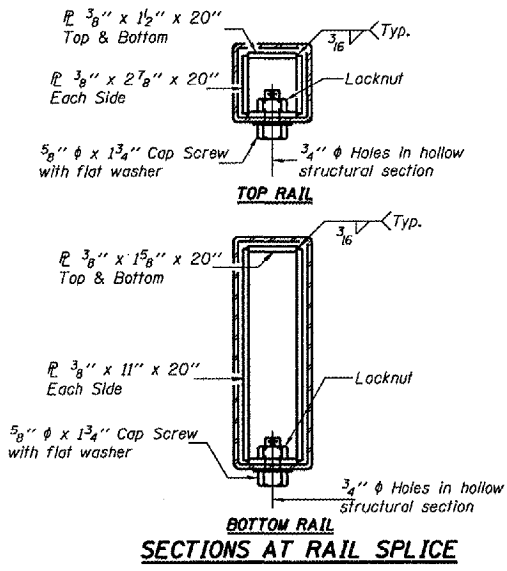
SECTION B-B



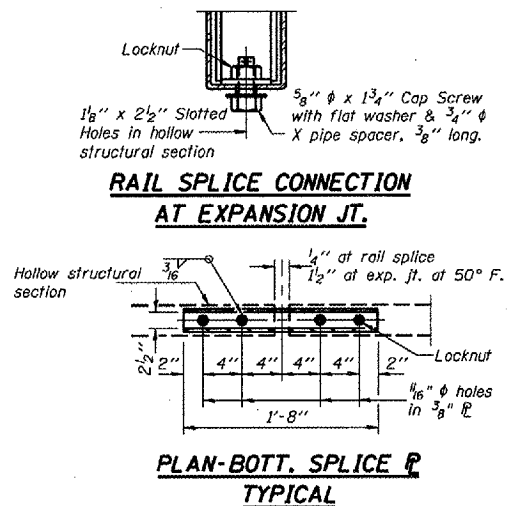
1/4" SHIM PLATE



TOP ANCHOR DEVICE



SECTIONS AT RAIL SPLICE



PLAN-BOTT. SPLICE TYPICAL

R-24A 10-31-02 (9'-6" Maximum Post Spacing)

THIS SHEET FOR INFORMATION "ONLY"

REVISIONS	
NAME	DATE

ILLINOIS DEPARTMENT OF TRANSPORTATION

TYPE T STEEL RAILING

FAP ROUTE 317 SECTION (25B-1)I

LIVINGSTON COUNTY

STA. 473 + 87

DATE 09/27/2005 DRAWN BY RW

DATE: 09/27/2005 FILE: c:\projects\cman06\cm322\detail.dgn