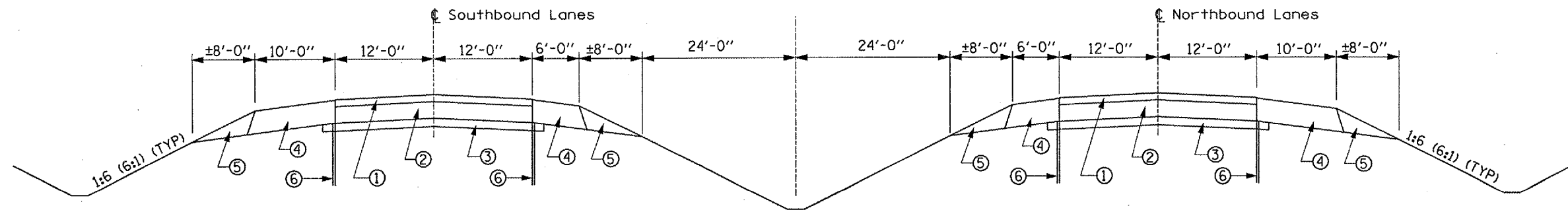


F.A.I. RTE.	SECTION	COUNTY	TOTAL SHEETS	SHEET NO.
57	(27-38)I-1 & (27-1)I-2	FORD	14	5
ILLINOIS				

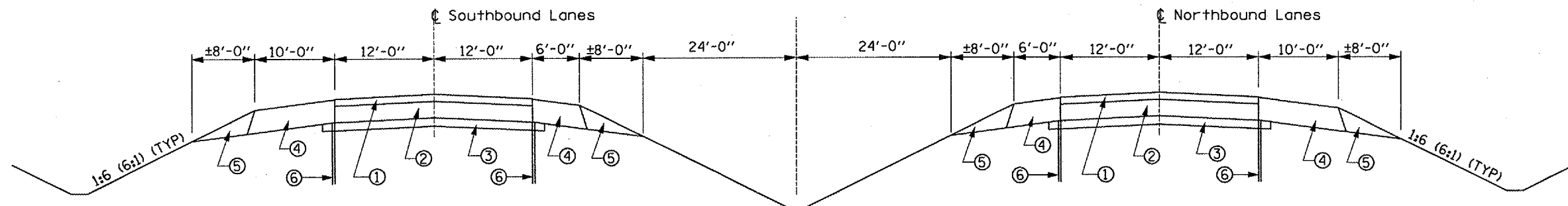


## EXISTING TYPICAL SECTION 1

SECTION: (27-38)I-1

M.M. 257.14 (CHAMPAIGN COUNTY LINE) TO  
M.M. 260.56 (0.7 mile) SOUTH OF IL. 9

- ① 3 1/2" Bituminous Surface
- ② 7" CRC Pavement
- ③ 4" Stabilized Sub-base (B.A.M.)
- ④ 11" Bituminous Shoulder
- ⑤ Aggregate Shoulder
- ⑥ 4" Pipe Underdrain



## EXISTING TYPICAL SECTION 2

SECTION: (27-1)I-2

M.M. 260.56 (0.7 mile) SOUTH OF IL. 9  
TO M.M. 263.49 (IROQUOIS COUNTY LINE)

- ① 3 1/2" Bituminous Surface
- ② 8" CRC Pavement
- ③ 4" Stabilized Sub-base (B.A.M.)
- ④ 11" Bituminous Shoulder
- ⑤ Aggregate Shoulder
- ⑥ 4" Pipe Underdrain

REVISIONS	
NAME	DATE

ILLINOIS DEPARTMENT OF TRANSPORTATION

**TYPICAL SECTIONS**  
FAI 57  
SEC: (27-38)I-1 & (27-1)I-2  
FORD COUNTY

DATE 04/05/2006

DRAWN BY RLW