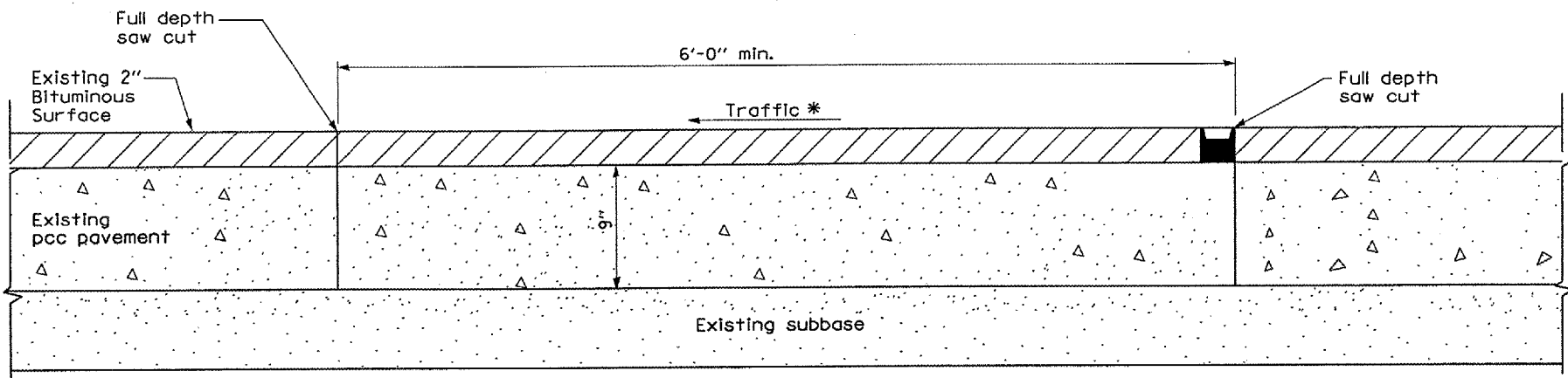


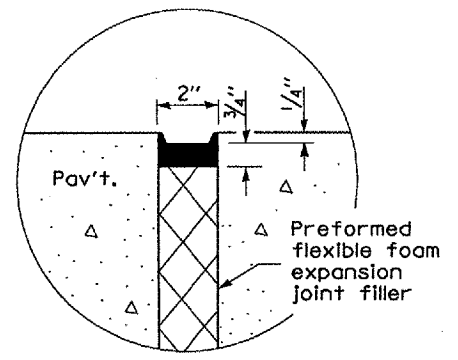
RTE.	SECTION	COUNTY	TOTAL SHEETS	SHEET NO.
*	(7R-1,10)I	KANKAKEE	11	8
STA. 248+00		TO STA. 259+00		
ILLINOIS				

\*FAP 332 & FAS 310 (IL 1 & IL 17)

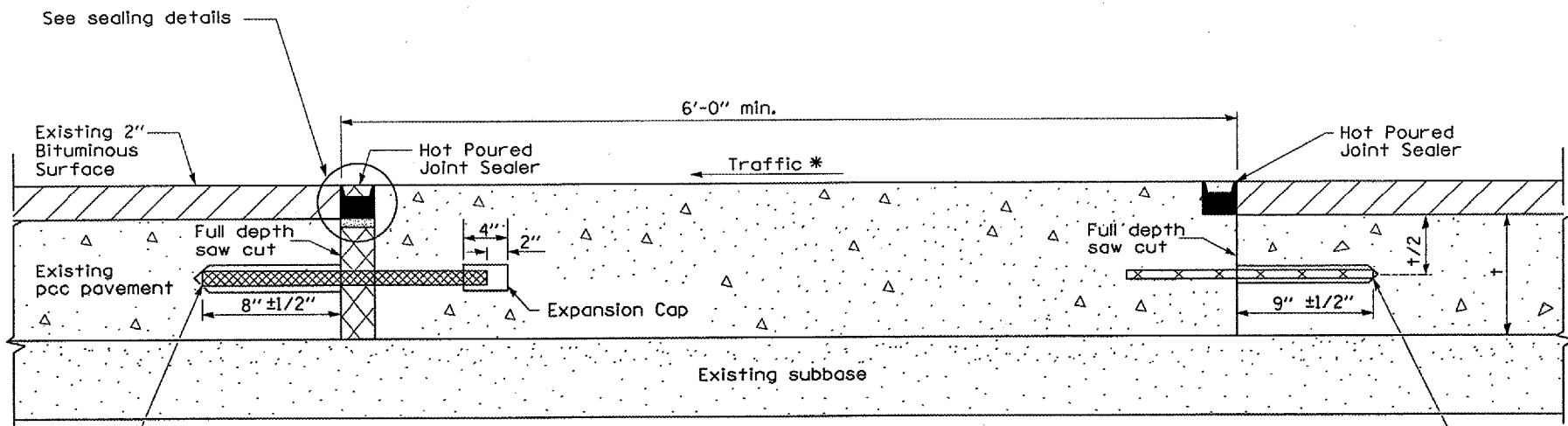


EXISTING PAVEMENT SECTION

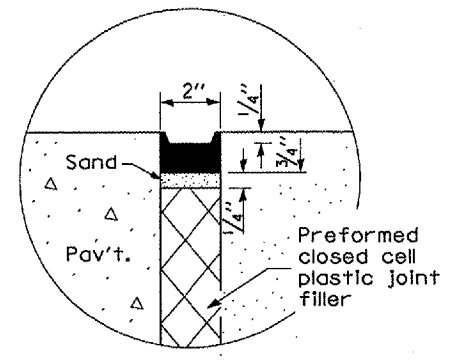
TRANSVERSE EXPANSION JOINTS



SEALING DETAIL



PROPOSED PAVEMENT SECTION



SEALING DETAIL

NOTE

\* When re-establishing a transverse expansion joint on a two-lane, two-way road, reverse the orientation of the dowel bars with respect to traffic for one of the patches such that the joint will be continuous across both lanes.

REVISIONS	
NAME	DATE

ILLINOIS DEPARTMENT OF TRANSPORTATION  
**PAVEMENT PATCHING  
 DETAIL**  
 FAP 332 & FAS 310  
 SECTION (7R-1,10)I  
 KANKAKEE COUNTY

Date: 4/21/2006  
 c:/projects/cmain07/cm311/details.dgn