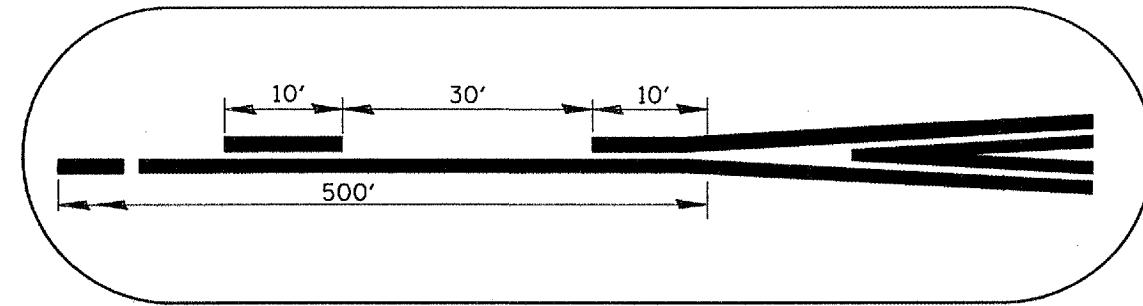
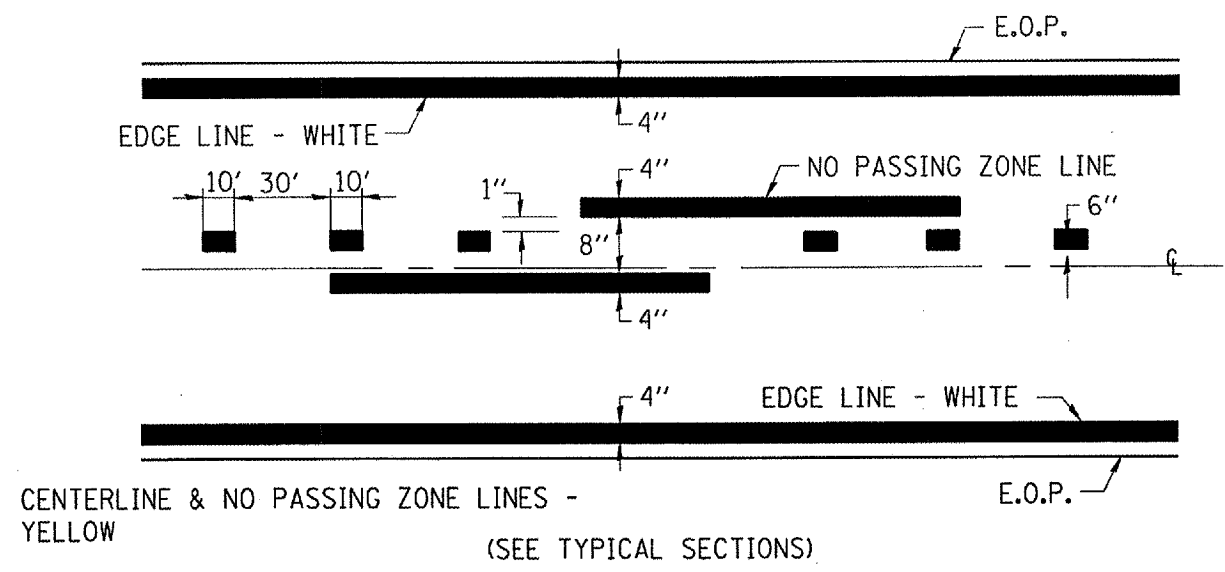
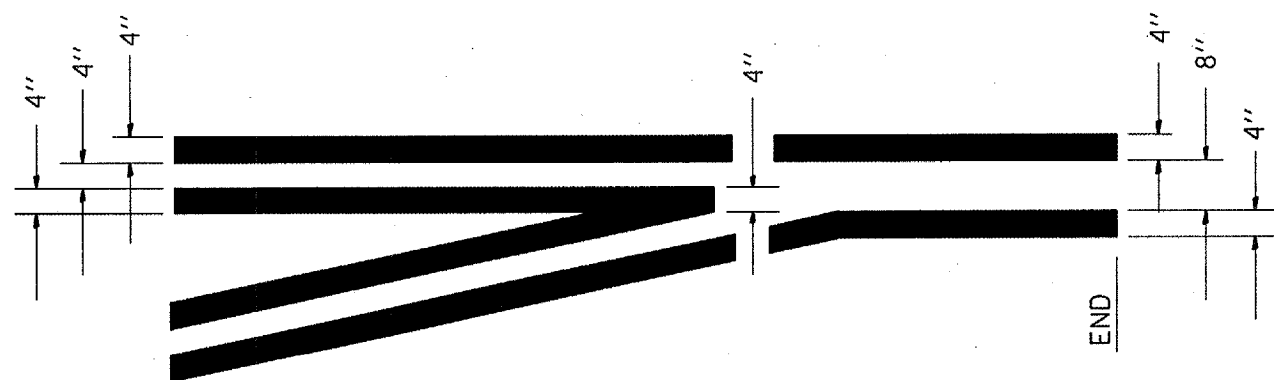


RTE.	SECTION	COUNTY	TOTAL SHEETS	SHEET NO.
-	(7R-1,10)I	KANKAKEE	11	11
STA. 248+00		TO STA. 259+00		
ILLINOIS				

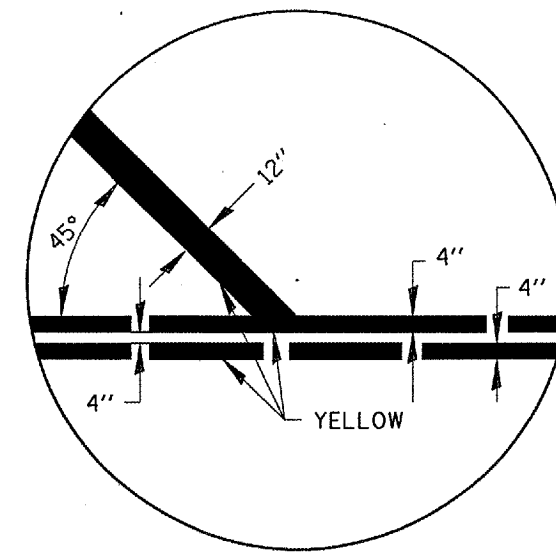
\*FAP 332 & FAS 310 (IL 1 & IL 17)



**PAVEMENT MARKING**



**TYPICAL APPLICATION @ LEFT TURN LANES**



Date: 4/21/2006  
 c:/projects/cm311/det/olls.dgn

REVISIONS	
NAME	DATE

ILLINOIS DEPARTMENT OF TRANSPORTATION  
**TYPICAL PAVEMENT MARKINGS**  
 FAP 332 & FAS 310  
 SECTION (7R-1,10)I  
 KANKAKEE COUNTY