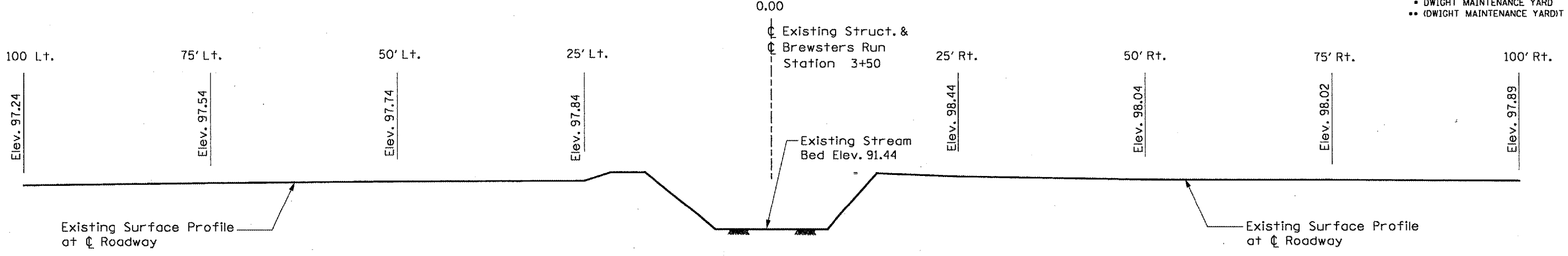


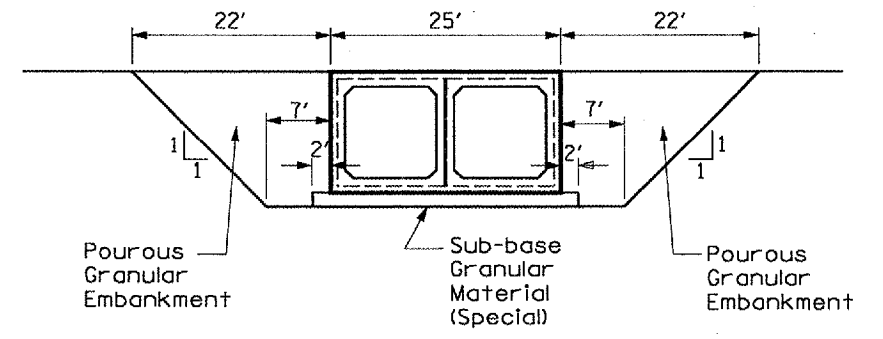
RTE.	SECTION	COUNTY	TOTAL SHEETS	SHEET NO.
		LIVINGSTON	10	5

- DWIGHT MAINTENANCE YARD
- (DWIGHT MAINTENANCE YARD)

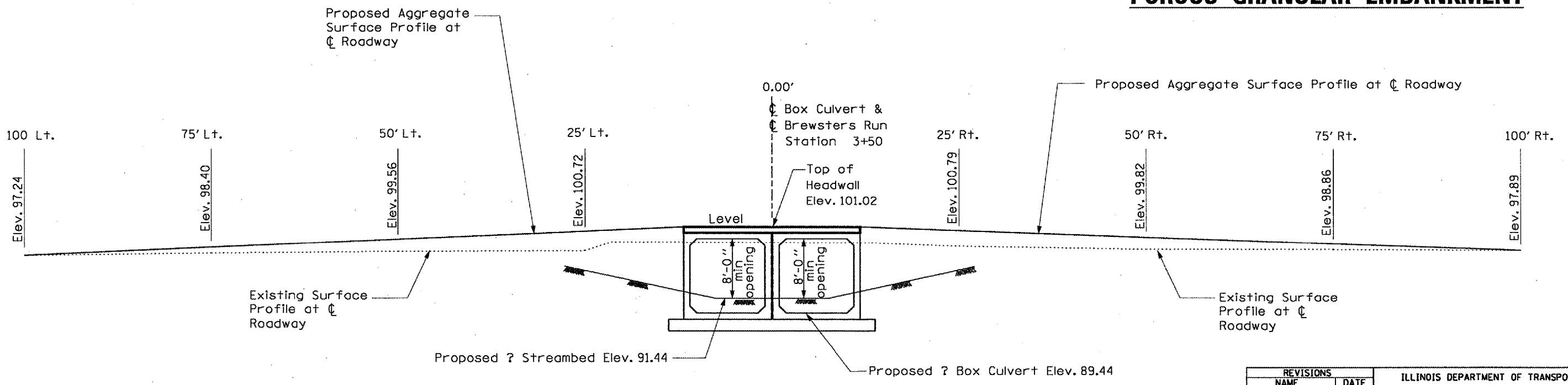
BM #1 Chisled "X" in the northeast headwall of S.N. 053-C803 Elev. 100.00



**EXISTING CROSS SECTION**



**POROUS GRANULAR EMBANKMENT**



**PROPOSED CROSS SECTION**

REVISIONS	
NAME	DATE

ILLINOIS DEPARTMENT OF TRANSPORTATION  
**CROSS SECTIONS**  
 (DWIGHT MAINTENANCE YARD)  
 LIVINGSTON COUNTY  
 S.N. 053-2041  
 DATE: 02/24/2006 DRAWN BY: RW

DATE: March 27, 2006  
 FILE: c:\projects\cm315\detail1.s.dgn