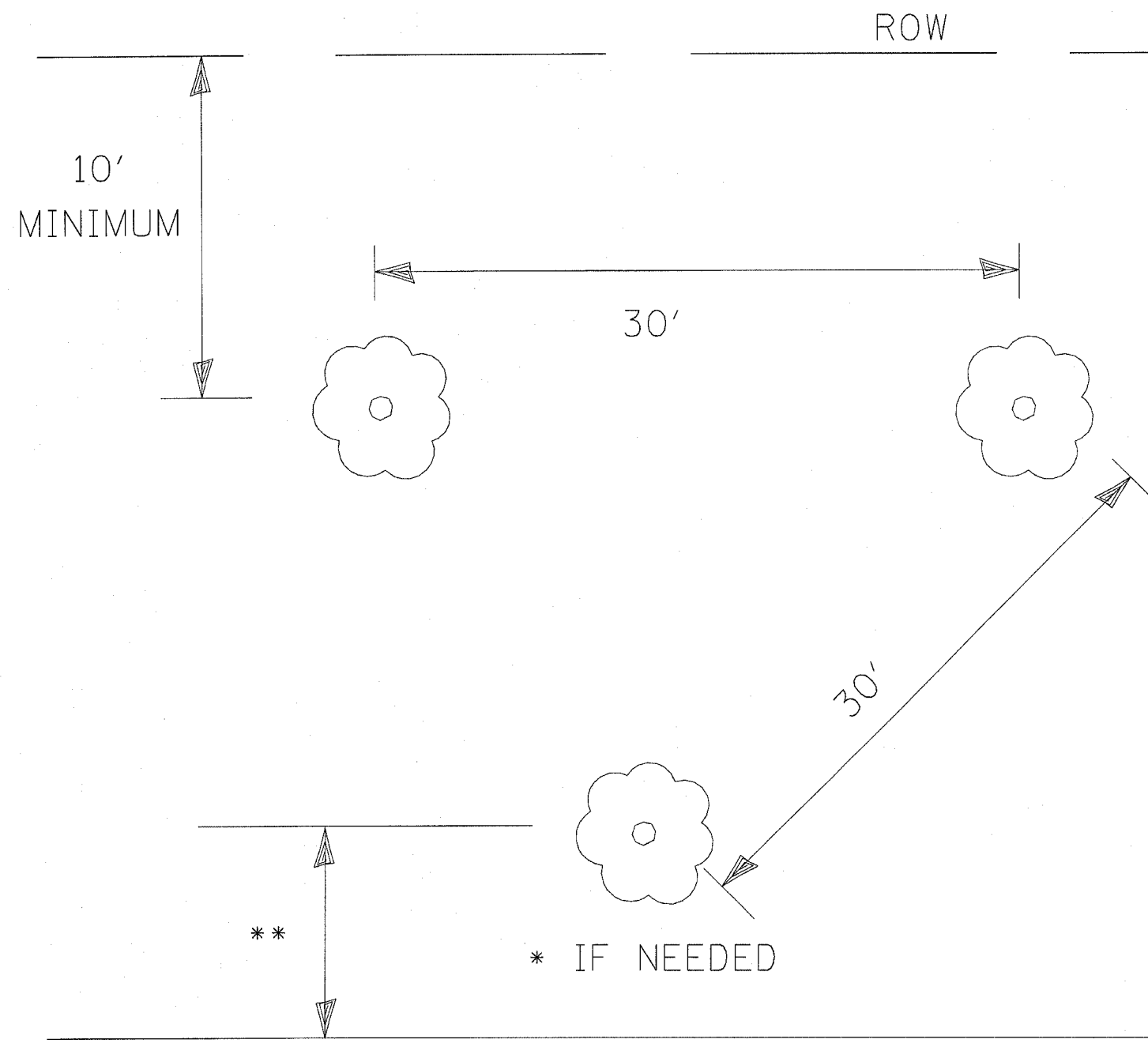


F. & A. RITE.	SECTION	COUNTY	TOTAL SHEETS	SHEET NO.
VAR.	●	VAR.	4	4
STA.	TO STA.			
FED. ROAD DIST. NO.	ILLINOIS	FED. AID PROJECT		

● D-3 TREE PLANTING 2007
CONTRACT #66675



** MINIMUM 30' FROM EDGE OF ROADWAY
MINIMUM 5' FROM BACK OF CURB

REVISIONS	
NAME	DATE

ILLINOIS DEPARTMENT OF TRANSPORTATION

DETAILS

3/31/2006 c:\projects\ed01906\defal1.s.dgn