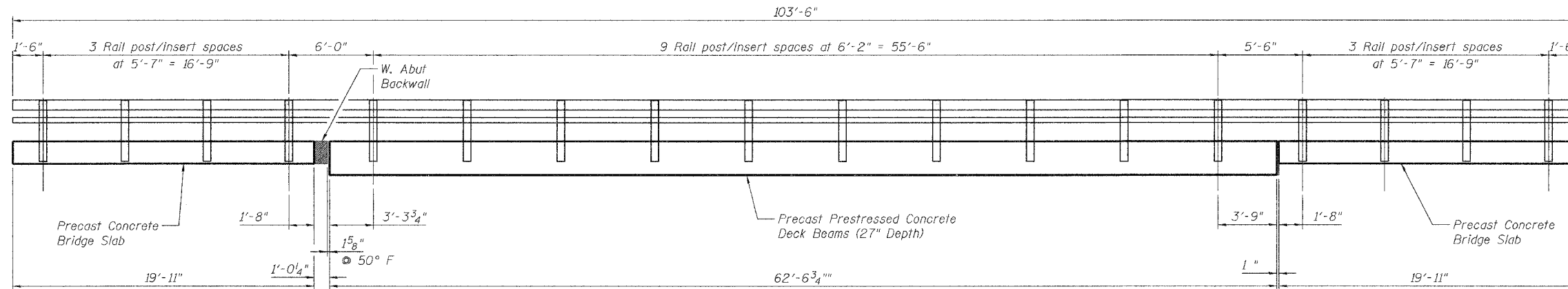



STATE OF ILLINOIS
DEPARTMENT OF TRANSPORTATION

ROUTE NO.	SECTION	COUNTY	SHEETS	SHEET NO.	SHEET NO.
F.A.P. 693	119B-3/I	TAZEWELL	34	17	14 SHEETS
FED. ROAD DIST. NO. 7	ILLINOIS	FED. AID PROJECT:			

Contract #68415



RAIL POST SPACING
(Looking North)

DESIGNED <i>BWP</i>	THOUVENOT, WADE & MOERCHEN, INC. ENGINEERS • SURVEYORS • PLANNERS  CORPORATE OFFICE 4940 OLD COLLINGSVILLE RD. SPRINGFIELD, ILLINOIS 62226 TEL. (618) 624-4188 FAX (618) 624-6288 E-MAIL: CORP@TWM-INC.COM
CHECKED <i>KPC</i>	
DRAWN <i>BWP</i>	
CHECKED <i>KPC</i>	

BRIDGE RAIL DETAILS
ILLINOIS ROUTE 9 OVER
PRAIRIE CREEK
F.A.P. ROUTE 693 SECTION (119B-3/I)
TAZEWELL COUNTY
SN 090-0061