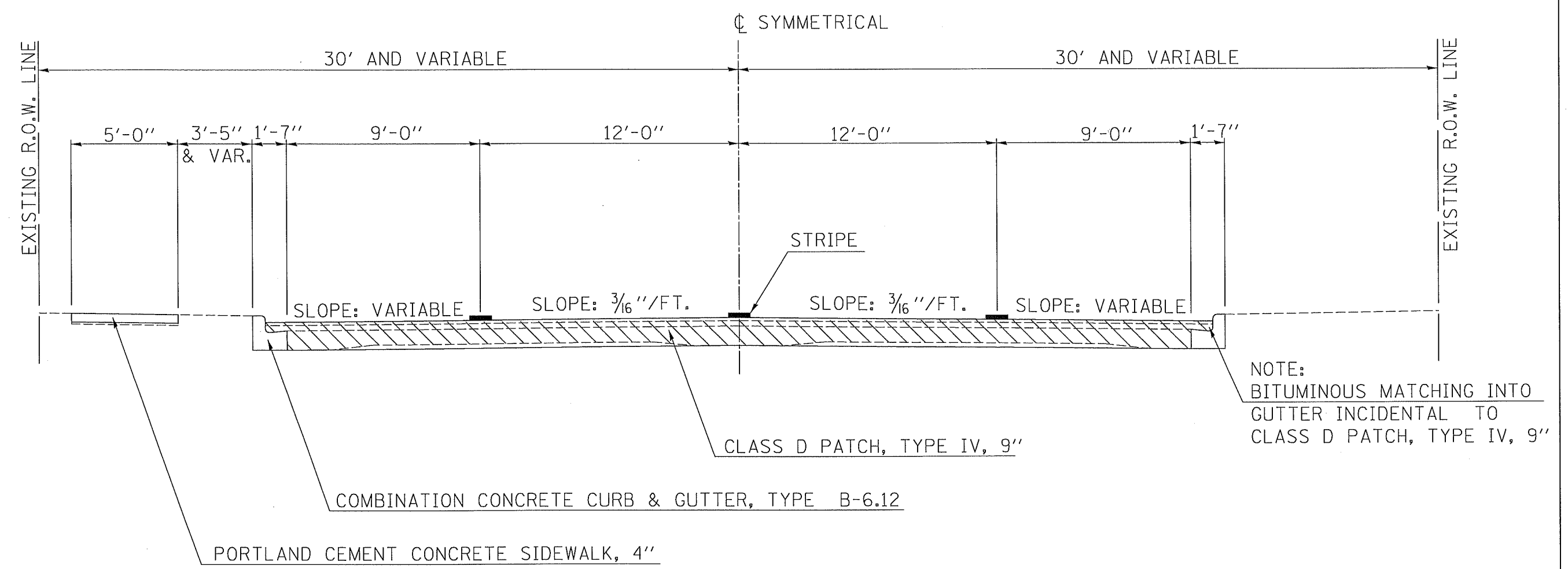


F.A.P. RTE.	SECTION	COUNTY	TOTAL SHEETS	SHEET NO.
332	48B	VERMILION	27	9

CONTRACT NO. 70462

# PROPOSED TYPICAL CROSS SECTION 1

IL. ROUTE 1 (F.A.P. ROUTE 332)  
 STATION 824+60.00 TO STATION 824+70.00 ②  
 ② STATION 824+84.00 TO STATION 824+94.00



 CLASS D PATCH