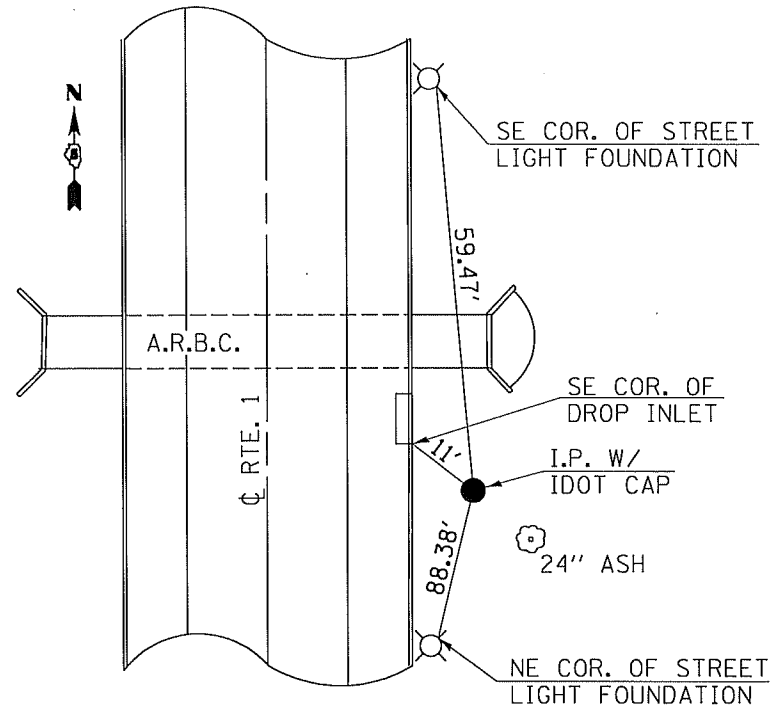


RECOVERY TIE POINTS

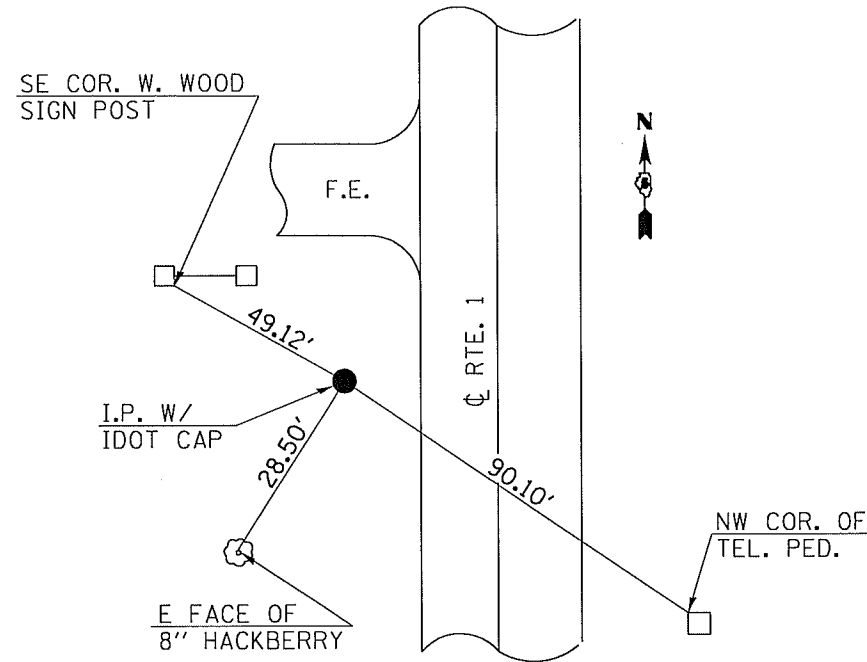
F.A.P. RTE.	SECTION	COUNTY	TOTAL SHEETS	SHEET NO.
332	48B	VERMILION	27	13

CONTRACT NO.

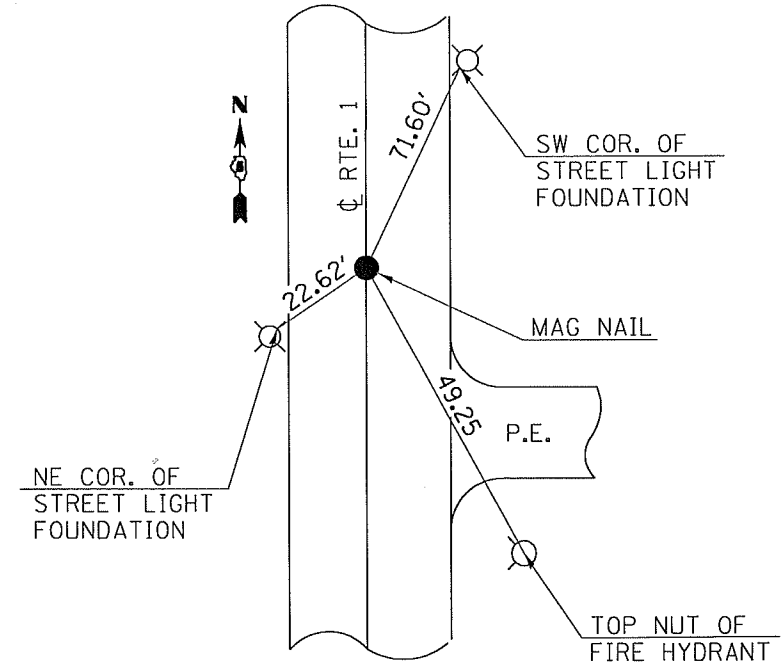
T.S. #400 - STA. 824+56.54
26.7' RT.



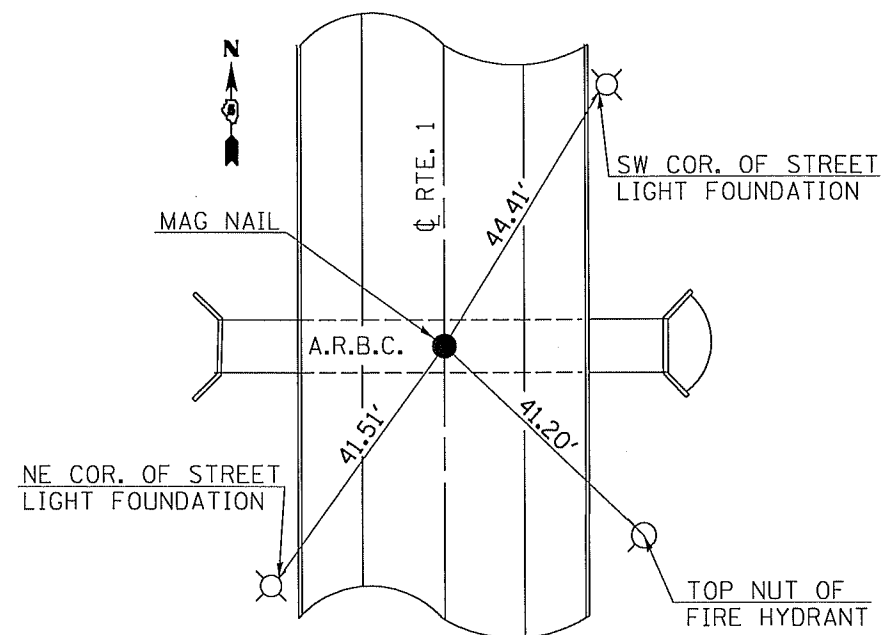
T.S. #401 - STA. 833+85.80
21.1' RT.



P.O.T. #1 - STA. 814+00



P.O.T. #3 - STA. 824+77.38



P.O.T. #5 - STA. 835+13.91

