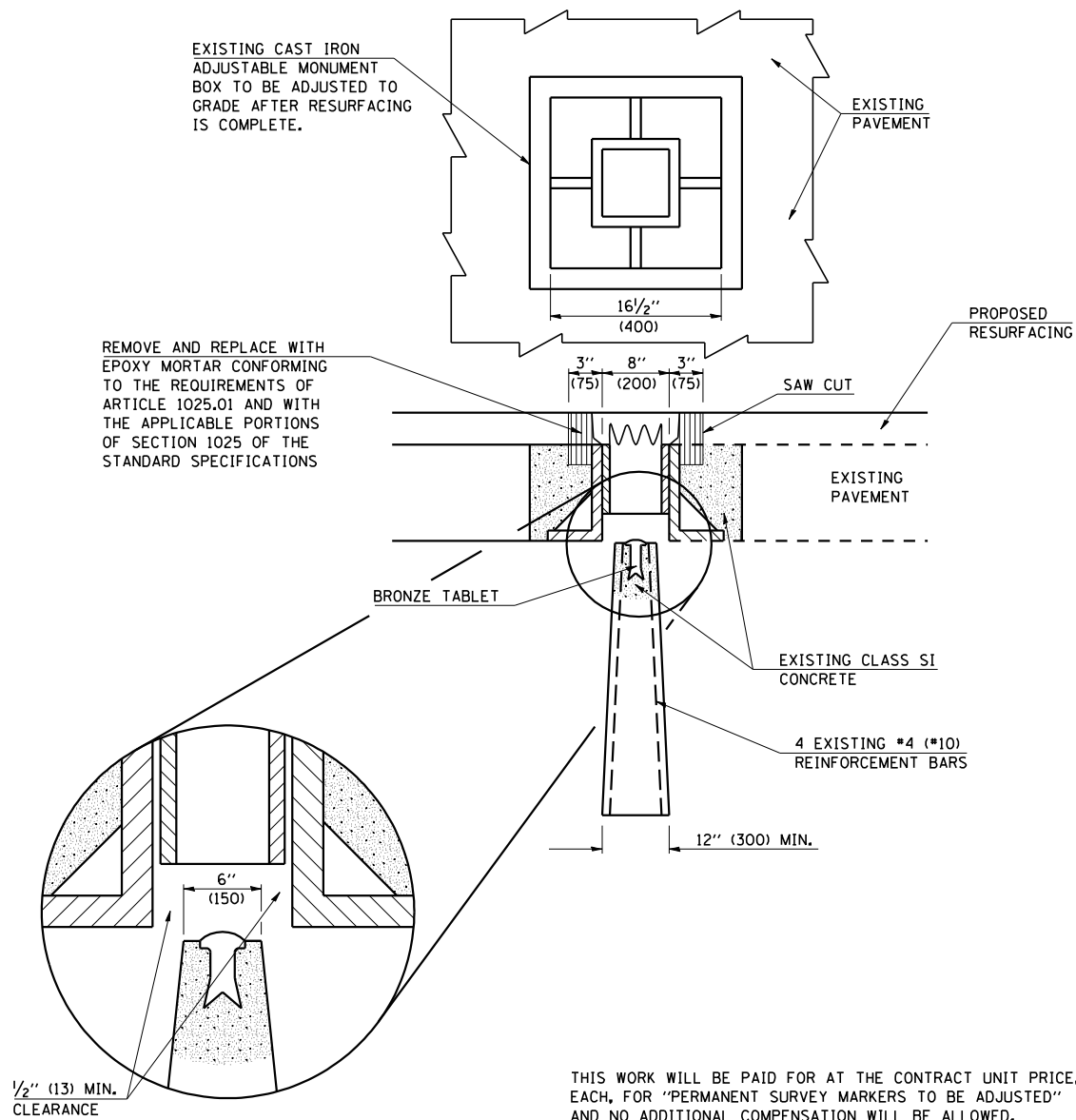


66700110 – PERMANENT SURVEY MARKERS TO BE ADJUSTED

TO BE INSTALLED FOR PRESERVING EXISTING CAST IRON PERMANENT SURVEY MARKERS, TYPE III



| | NAME | DATE | REVISIONS | |
|----------|---------|-------|-----------|-------|
| DESIGNED | Pr.A.T. | 1994 | NAME | DATE |
| CHECKED | D.L.P. | 12-95 | D.L.P. | 12-95 |
| CADD NO. | D-1.06 | | K.A.G. | 08-04 |

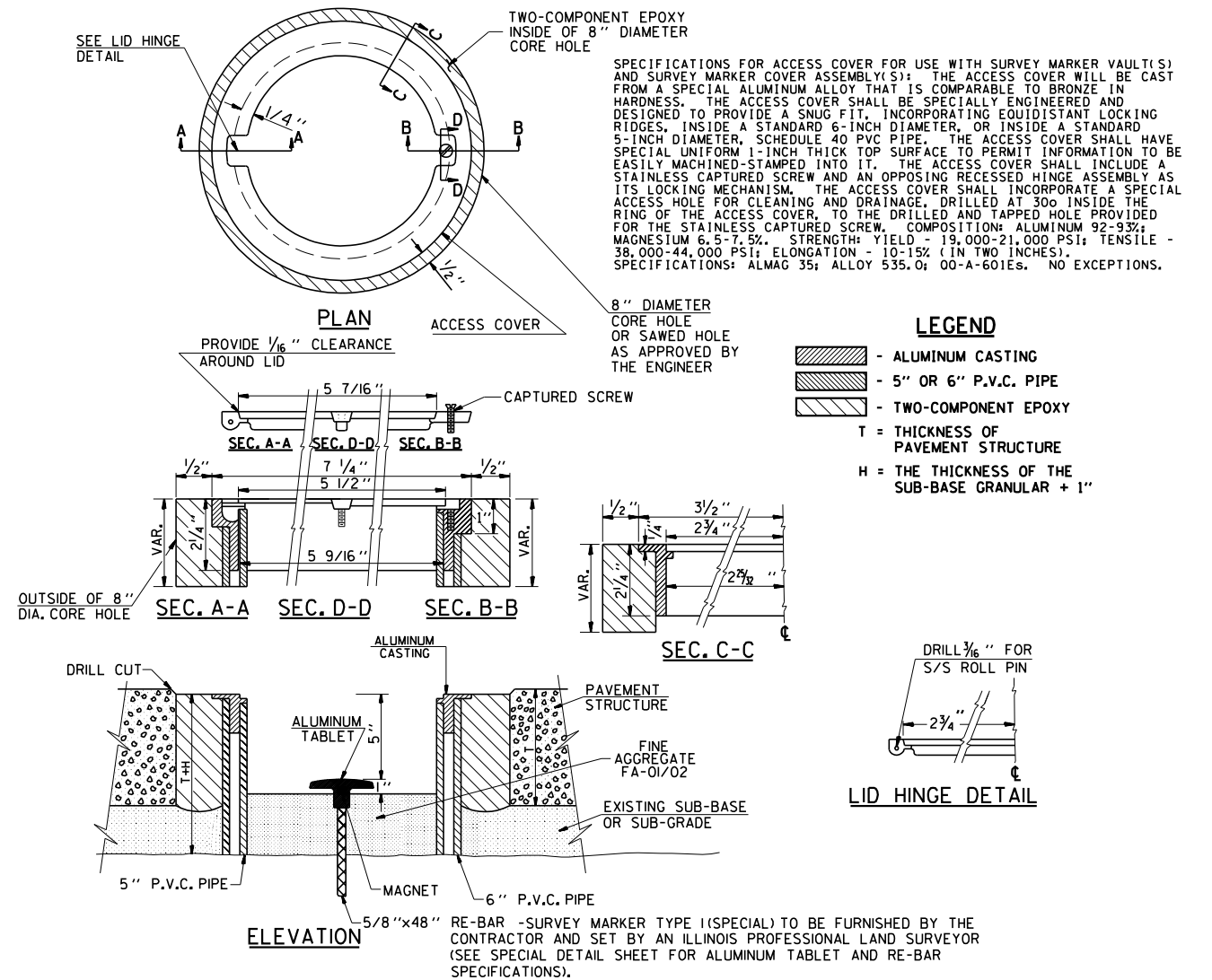
ALL DIMENSIONS ARE IN INCHES (MILLIMETERS) UNLESS OTHERWISE SHOWN.

| F.A.S. RTE. | SECTION | COUNTY | TOTAL SHEETS | SHEET NO. |
|-------------|---------|-----------|--------------|-----------|
| 500 | . | VERMILION | 18 | 14 |

(33,116 SPUR)RS-1
CONTRACT NO. 70556

DETAIL OF PERMANENT SURVEY MARKER VAULT

FOR RESET LAND SURVEY MONUMENTS IN RIGID AND COMPOSITE PAVEMENTS



GENERAL NOTES

- ALUMINUM CASTING SHALL BE EITHER PLACED OVER A 5" P.V.C. PIPE OR INSIDE OF A 6" P.V.C. PIPE.
- BACKFILL WITH SELECT MATERIAL AS DIRECTED BY THE ENGINEER.
- TO PREVENT DAMAGE TO THE TOP OF THE 5/8" Ø RE-BAR, AN APPROVED RE-BAR DRIVER SHALL BE USED.
- WORK SHALL NOT START ON THIS ITEM UNTIL THE FINAL LIFT OF CLASS I HAS BEEN COMPLETED.
- SEE SPECIAL PROVISION "PRESERVATION OF LAND SURVEY MONUMENTS".
- THIS WORK WILL BE PAID FOR AT THE CONTRACT UNIT PRICE EACH FOR SURVEY MARKER VAULT WHICH PRICE SHALL INCLUDE ALL LABOR AND MATERIAL AS SPECIFIED INCLUDING DRILLING, EPOXY AND BACKFILL AND NO ADDITIONAL COMPENSATION WILL BE ALLOWED.
- THE 8" DIAMETER CASTING SHALL BE ANCHORED IN THE CORE HOLE WITH TWO-COMPONENT EPOXY CONFORMING TO APPLICABLE PORTIONS OF ARTICLE 718.08 OF THE STANDARD SPECIFICATIONS.
- ALL PERMANENT SURVEY MARKERS (SPECIAL) SHALL BE PLACED 1/4" (±) BELOW THE FINAL SURFACE.
- THE 8" DIAMETER CORE HOLE SHALL BE SUBJECT TO THE APPROVAL OF THE ENGINEER.

BILL OF MATERIAL

ALUMINUM CASTING OF THE DIMENSIONS SHOWN OR OTHER SUBJECT TO ENGINEER'S APPROVAL OF SHOP DRAWINGS, 5" OR 6" Ø P.V.C. PIPE, SCHEDULE 40, ALUMINUM TABLET, STAMPED IN ACCORDANCE WITH STANDARD 2135, 5/8" Ø x 48" RE-BAR, EPOXY, BACKFILL.

| | NAME | DATE | REVISIONS | |
|----------|--------|---------|-----------|------|
| DESIGNED | A.W.H. | 2-28-91 | NAME | DATE |
| CHECKED | J.H.M. | 2-28-91 | | |
| CADD NO. | D-103 | | | |