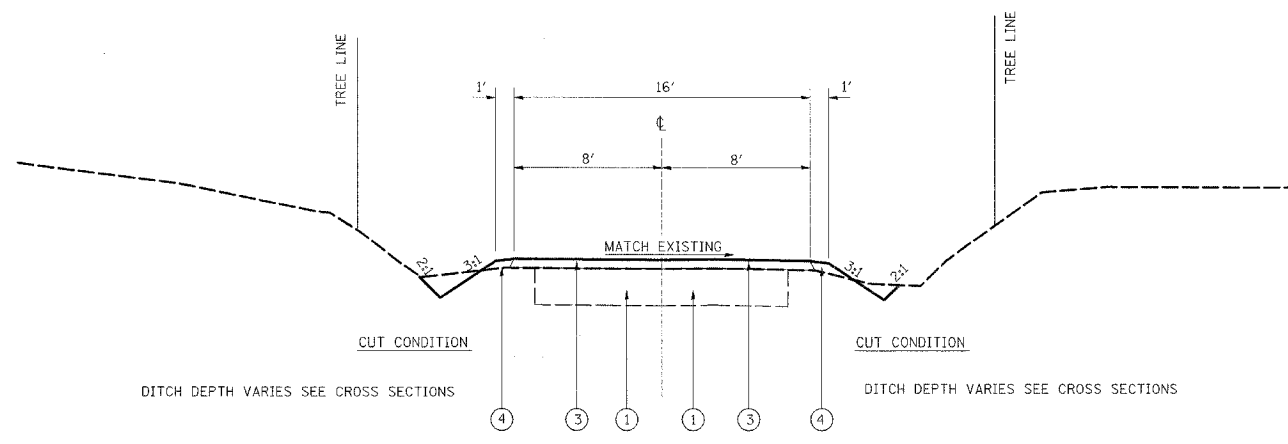


F.A.P. RTE.	SECTION	COUNTY	TOTAL SHEETS	SHEET NO.
*	**	***	310	14

STA. TO STA.

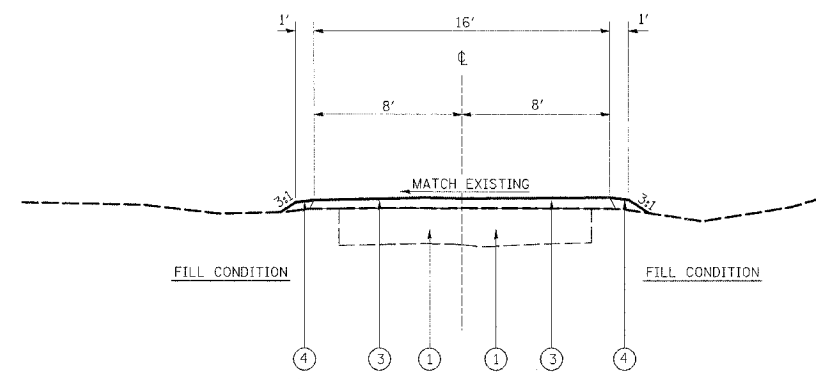
CONTRACT NO. 74155

- \* PARK ROADS
- \*\* SFWA PARK ROADS 2003-1
- \*\*\* MOULTRIE AND SHELBY



**TR 140 TO PARKING LOT 56**  
**PROPOSED TYPICAL SECTION**  
 STATION 21+50 TO STATION 29+00

- LEGEND**
- ① EXISTING AGGREGATE SURFACE
  - ② EXISTING OIL & CHIP
  - ③ PROPOSED AGGREGATE SURFACE COURSE, TYPE B, 3"
  - ④ PROPOSED EARTH SHOULDER (SLOPE 3/4" / FT)
  - ⑤ PROPOSED BITUMINOUS SURFACE TREATMENT CLASS A-1
  - ⑥ PROPOSED BITUMINOUS SURFACE TREATMENT CLASS A-2
  - ⑦ EXISTING BITUMINOUS CONCRETE SURFACE
  - ⑧ PREPARATION OF BASE



**TR 140 TO PARKING LOT 54, 58, 58A & 58B**  
**PROPOSED TYPICAL SECTION**  
 TO PARKING LOT 54, 55  
 STATION 11+55.36 TO STATION 21+50  
 STATION 29+00.00 TO STATION 40+22.34  
 TO PARKING LOTS 58, 58A & 58B  
 STATION 29+00.00 TO STATION 40+22.34

REVISIONS		ILLINOIS DEPARTMENT OF TRANSPORTATION
NAME	DATE	
FGI	2/23/2006	<b>PROPOSED TYPICAL SECTION</b> <b>KASKASKIA FISH AND WILDLIFE UNIT</b> <b>PARK ROAD TO PARKING LOTS</b> <b>54, 55, 56 AND 58</b>  SCALE: DRAWN BY BARGIEL DATE CHECKED BY STEUART