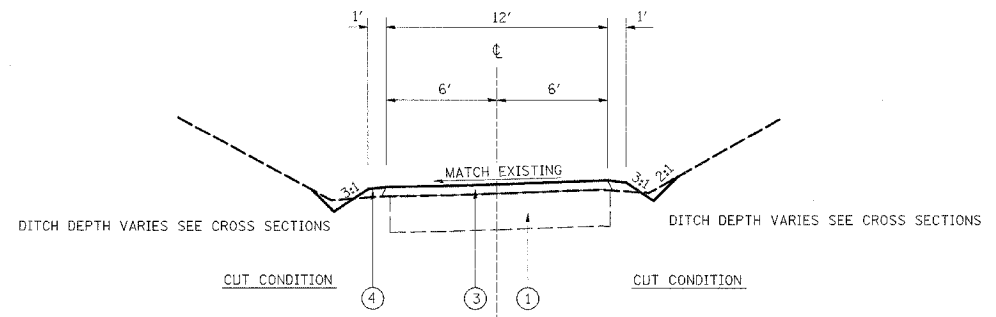


F.A. RTE.	SECTION	COUNTY	TOTAL SHEETS	SHEET NO.
*	**	***	310	17

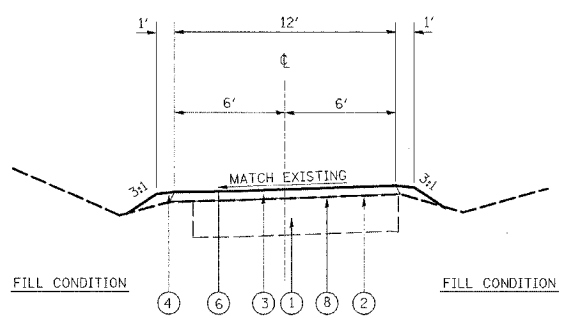
STA. _____ TO STA. _____
 CONTRACT NO. 74155

- PARK ROADS
- SFWA PARK ROADS 2003-1
- MOULTRIE AND SHELBY



PARK ROAD FROM PARKING LOT 63
PROPOSED TYPICAL SECTION
 STATION 1+57.20 TO STATION 6+67.75

- LEGEND**
- ① EXISTING AGGREGATE SURFACE
 - ② EXISTING OIL & CHIP
 - ③ PROPOSED AGGREGATE SURFACE COURSE, TYPE B, 3"
 - ④ PROPOSED EARTH SHOULDER (SLOPE 3/4" / FT)
 - ⑤ PROPOSED BITUMINOUS SURFACE TREATMENT CLASS A-1
 - ⑥ PROPOSED BITUMINOUS SURFACE TREATMENT CLASS A-2
 - ⑦ EXISTING BITUMINOUS CONCRETE SURFACE
 - ⑧ PREPARATION OF BASE



TR 142 TO PARKING LOT 64 AND TURN AROUND 1
PROPOSED TYPICAL SECTION
 STATION 0+00 TO STATION 2+50

REVISIONS	
NAME	DATE

ILLINOIS DEPARTMENT OF TRANSPORTATION
PROPOSED TYPICAL SECTION
KASKASKIA FISH AND WILDLIFE UNIT
PARK ROAD TO PARKING LOTS
63, 64 AND TURN AROUND 1
 SCALE: _____ DATE: _____
 DRAWN BY: BARGIEL
 CHECKED BY: STEUART