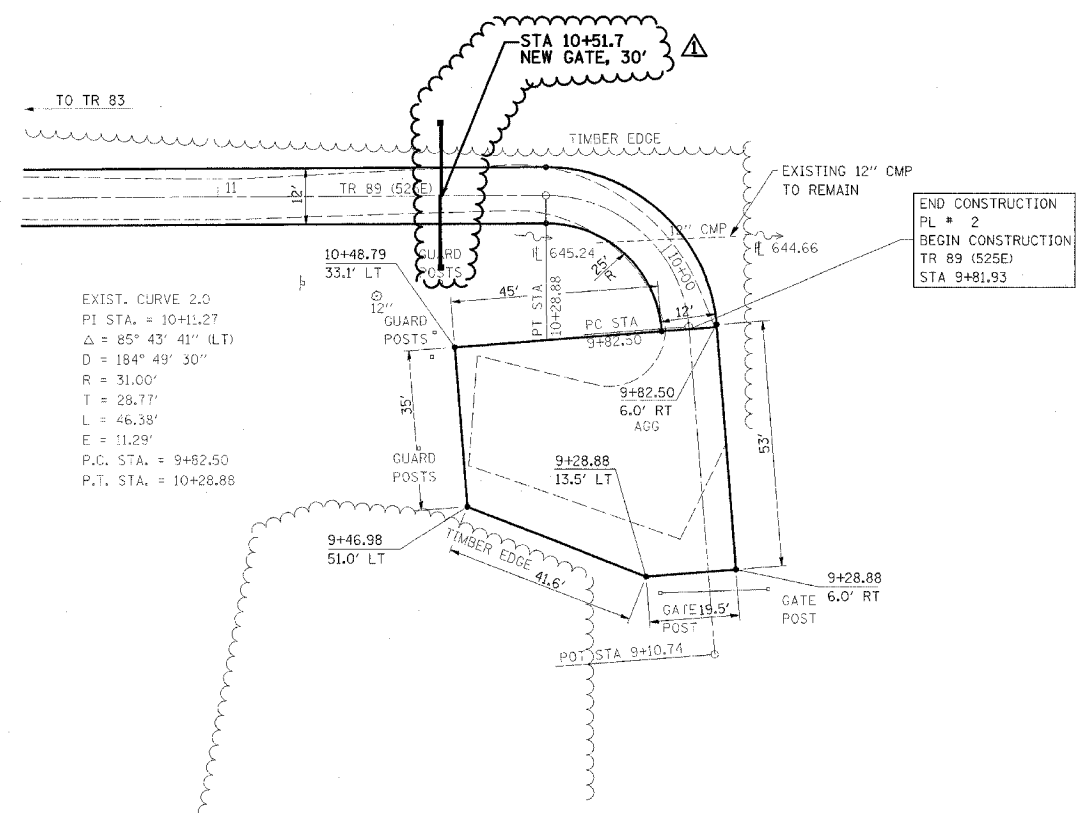


F.A. RTE.	SECTION	COUNTY	TOTAL SHEETS	SHEET NO.
*	**	***	310	87

STA. TO STA.

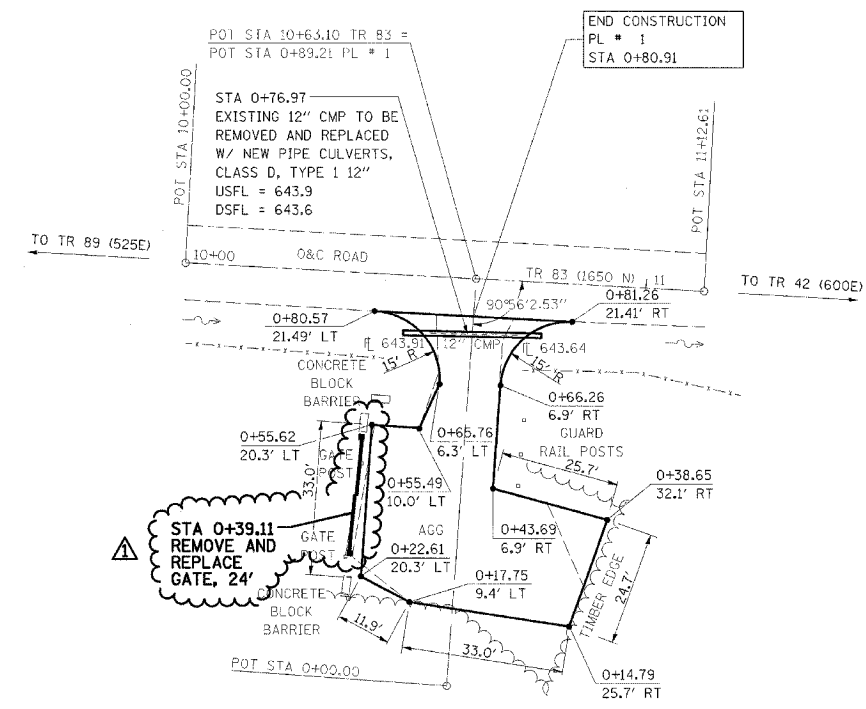
CONTRACT NO. 74155

- * PARK ROADS
- ** SFWA PARK ROADS 2003-1
- *** MOULTRIE AND SHELBY



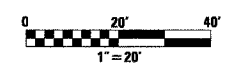
PARKING LOT 2

NOTE:
PARKING LOT 2
END STA 9+81.93
SURFACE IMPROVEMENTS,
ADD 3" AGGREGATE



PARKING LOT 1

NOTE:
PARKING LOT 1
END STA 0+80.91
SURFACE IMPROVEMENTS,
ADD 3" AGGREGATE



REVISIONS	
NAME	DATE
FGI	11/23/2005

ILLINOIS DEPARTMENT OF TRANSPORTATION
WEST OKAW FISH & WILDLIFE UNIT
PARKING LOT PLAN
PL 1 & PL 2

SCALE: _____
DATE _____
DRAWN BY BANDY
CHECKED BY STEUART