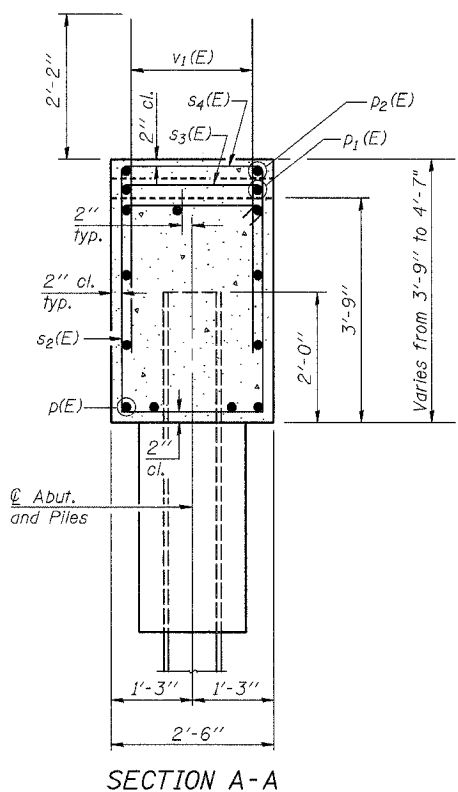
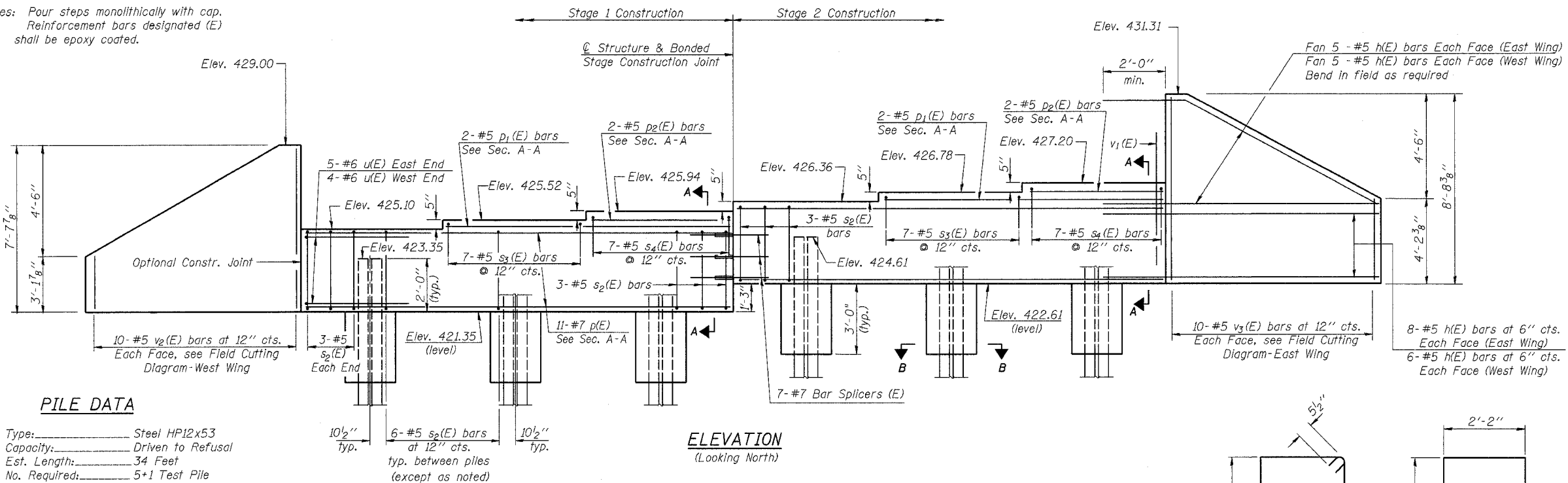
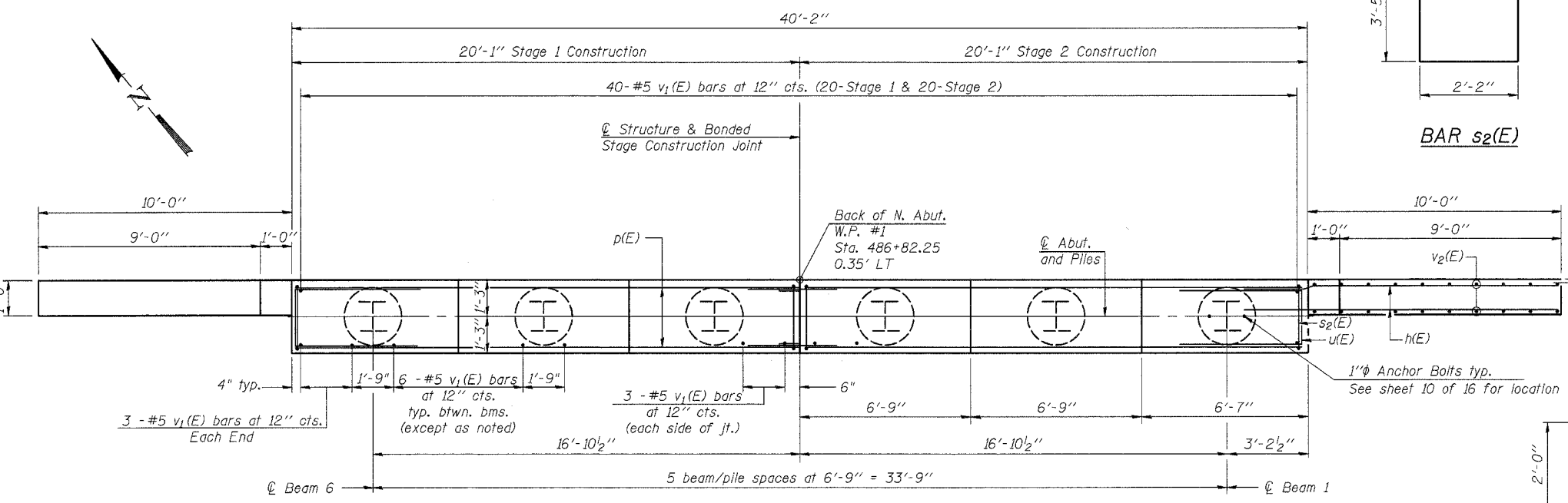


Notes: Pour steps monolithically with cap.
Reinforcement bars designated (E)
shall be epoxy coated.



PILE DATA
Type: Steel HP12x53
Capacity: Driven to Refusal
Est. Length: 34 Feet
No. Required: 5+1 Test Pile

ELEVATION
(Looking North)



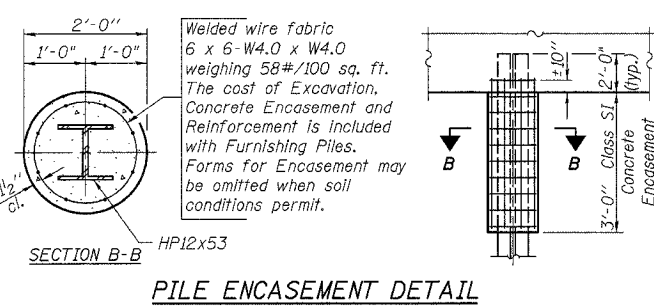
BAR s2(E)

BAR s3(E) & s4(E)

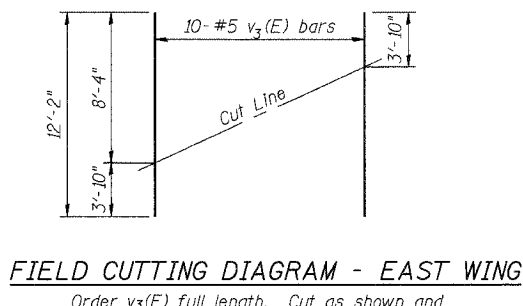
BILL OF MATERIAL - NORTH ABUT.

Bar No.	Size	Length	Shape
h(E)	48 #5	12'-10"	
p(E)	22 #7	19'-9"	
p1(E)	4 #5	13'-0"	
p2(E)	4 #5	6'-3"	
s2(E)	36 #5	12'-1"	
s3(E)	14 #5	5'-2"	
s4(E)	14 #5	6'-0"	
u(E)	9 #6	12'-0"	
v1(E)	76 #5	4'-4"	
v2(E)	10 #5	10'-1"	
v3(E)	10 #5	12'-2"	
Concrete Structures	Cu. Yd.	20.1	
Reinforcement Bars, Epoxy Coated	Pound	2970	
Structure Excavation	Cu. Yd.	115	
Bar Splicers	Each	7	
Furnishing Steel Piles HP12x53	Foot	170	
Driving Steel Piles HP12x53	Foot	170	
Test Pile Steel HP12x53	Each	1	

PLAN

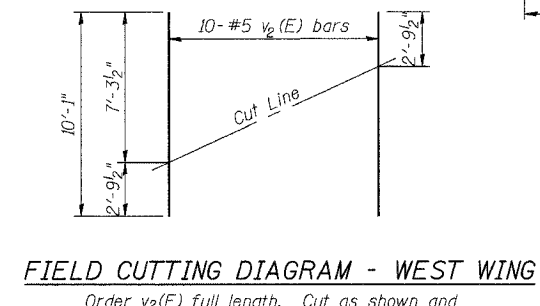


PILE ENCASEMENT DETAIL



FIELD CUTTING DIAGRAM - EAST WING

Order v3(E) full length. Cut as shown and use remainder of bars in opposite face.



FIELD CUTTING DIAGRAM - WEST WING

Order v2(E) full length. Cut as shown and use remainder of bars in opposite face.

BAR u(E)

DESIGNED Ruben V. Boehler
CHECKED Tim S. Howard
DRAWN Nicole L. Darling
CHECKED Michael D. Cummins

NORTH ABUTMENT
IL ROUTE 127 OVER TRIBUTARY TO CROOKED CREEK
F.A.P. ROUTE 42 SECTION 2BR
WASHINGTON COUNTY
STA. 487+25
S.N. 095-0076

CUMMINS ENGINEERING CORPORATION
JOB #: 2158
FILE: 2158ABUTS
DATE: 2/10/05