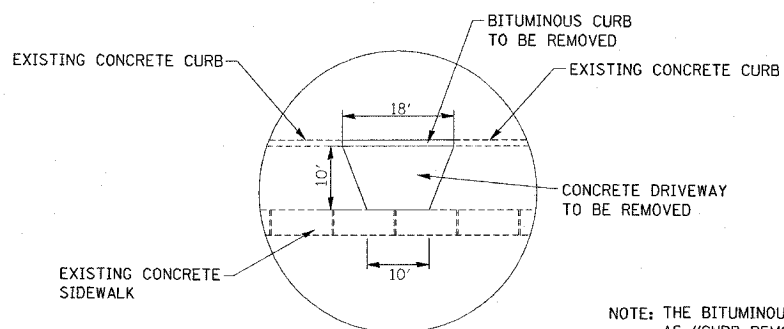
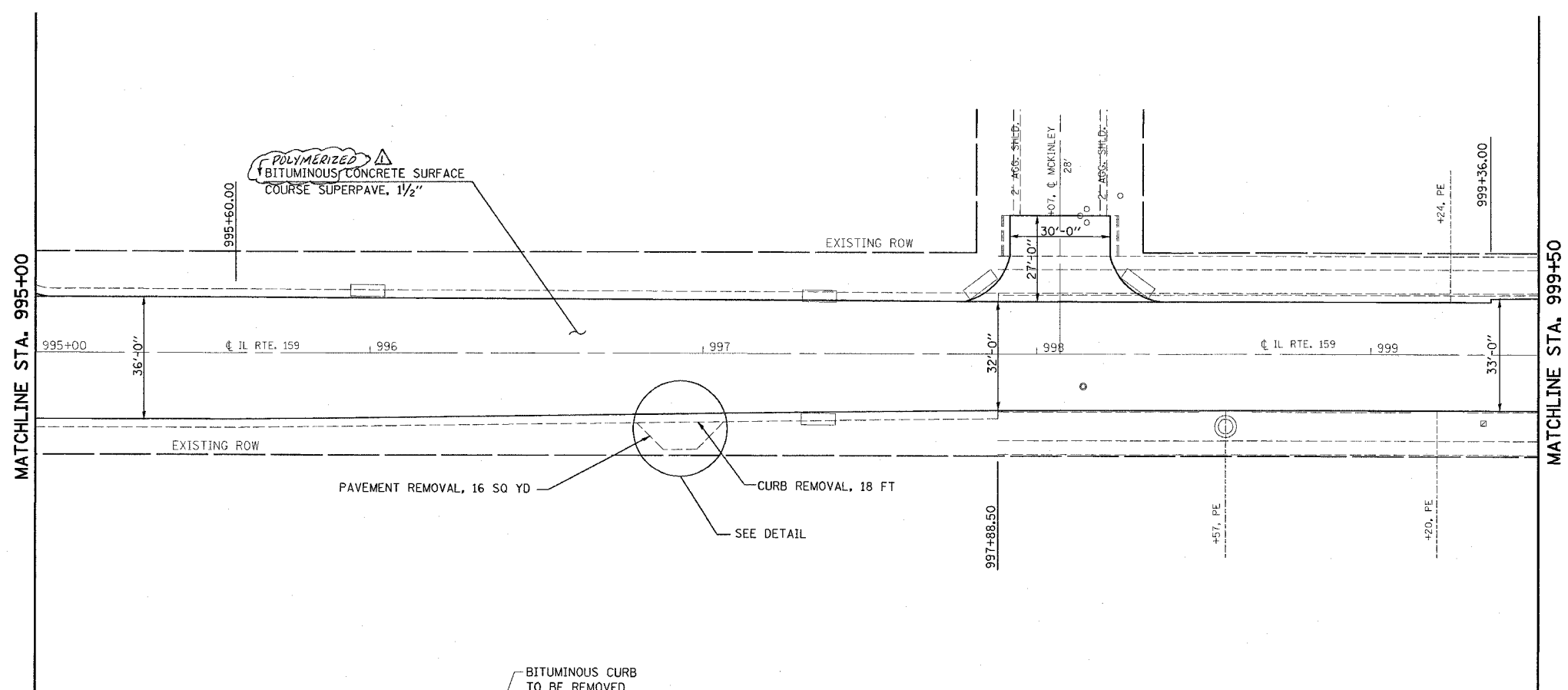
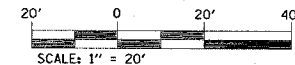


F.A.P. RTE.	SECTION	COUNTY	TOTAL SHEETS	SHEET NO.
600	34RS-2	ST. CLAIR	39	14
STA. 995+00.00		TO STA. 999+50.00		
FED. ROAD DIST. NO.		ILLINOIS	FED. AID PROJECT	



NOTE: THE BITUMINOUS CURB REMOVAL WILL BE PAID FOR AS "CURB REMOVAL", AND THE CONCRETE DRIVEWAY REMOVAL WILL BE PAID FOR AS "PAVEMENT REMOVAL"



REVISIONS	
NAME	DATE

ILLINOIS DEPARTMENT OF TRANSPORTATION
PLAN VIEW
 FAP ROUTE 600
 SECTION 34RS-2
 MADISON COUNTY

SCALE: VERT. _____
 HORIZ. _____
 DATE _____ DRAWN BY _____
 CHECKED BY _____

PLOT DATE = 5/15/2006
 FILE NAME = c:\p\projects\adl\7180\plan\plan08.dgn
 PLOT SCALE = 20,000 / 1 IN.
 USER NAME = dntalmerj

Rev. 7-18-06