

# SUMMARY OF QUANTITIES

CONTRACT NO. 76441				
F.A.E. RTE.	SECTION	COUNTY	TOTAL SHEETS	SHEET NO.
600	34RS-2	MADISON	39	3
STA.		TO STA.		
FED. ROAD DIST. NO.		ILLINOIS FED. AID PROJECT		

SUMMARY OF QUANTITIES			100% STATE TOTAL QUANTITIES	CONSTRUCTION TYPE CODE		
CODE NO	ITEM	UNIT		I000	-----	-----
40600200	BITUMINOUS MATERIALS (PRIME COAT)	TON	8.9	8.9		
40600300	AGGREGATE (PRIME COAT)	TON	44	44		
<del>40600995</del>	<del>CONSTRUCTING TEST STRIP</del>	<del>EACH</del>	<del>1</del>	<del>1</del>		
40600990	TEMPORARY RAMP	SQ YD	347	347		
40800040	INCIDENTAL BITUMINOUS SURFACING	TON	189	189		
42400100	PORTLAND CEMENT CONCRETE SIDEWALK 4 INCH	SQ FT	148	148		
42400800	DETECTABLE WARNINGS	SQ FT	18	18		
44000006	BITUMINOUS SURFACE REMOVAL 1 1/2"	SQ YD	28303	28303		
44000009	BITUMINOUS SURFACE REMOVAL 3"	SQ YD	996	996		
44000100	PAVEMENT REMOVAL	SQ YD	32	32		
44000300	CURB REMOVAL	FOOT	84	84		
44000600	SIDEWALK REMOVAL	SQ FT	148	148		
44200140	PAVEMENT PATCHING, TYPE I, 12 INCH	SQ YD	9	9		
44200144	PAVEMENT PATCHING, TYPE II, 12 INCH	SQ YD	397	397		
44200148	PAVEMENT PATCHING, TYPE III, 12 INCH	SQ YD	176	176		
44200150	PAVEMENT PATCHING, TYPE IV, 12 INCH	SQ YD	1028	1028		
44300200	STRIP REFLECTIVE CRACK CONTROL TREATMENT	FOOT	1861	1861		
48202000	BITUMINOUS SHOULDERS SUPERPAVE	TON	77	77		
60406500	FRAMES AND LIDS, SPECIAL	EACH	4	4		
60600505	CONCRETE CURB (SPECIAL)	FOOT	48	48		
60603800	COMBINATION CONCRETE CURB AND GUTTER, TYPE B-6.12	FOOT	66	66		
67000400	ENGINEER'S FIELD OFFICE, TYPE A	CAL MO	6	6		
67100100	MOBILIZATION	L SUM	1	1		
70102622	TRAFFIC CONTROL AND PROTECTION, STANDARD 701502	L SUM	1	1		
70102635	TRAFFIC CONTROL AND PROTECTION, STANDARD 701701	L SUM	1	1		
70102640	TRAFFIC CONTROL AND PROTECTION, STANDARD 701801	L SUM	1	1		
70300100	SHORT-TERM PAVEMENT MARKING	FOOT	5189	5189		
70300210	TEMPORARY PAVEMENT MARKING - LETTERS AND SYMBOLS	SQ FT	1122	1122		
70300220	TEMPORARY PAVEMENT MARKING - LINE 4"	FOOT	26591	26591		
70300240	TEMPORARY PAVEMENT MARKING - LINE 6"	FOOT	1149	1149		
70300260	TEMPORARY PAVEMENT MARKING - LINE 12"	FOOT	174	174		
70301000	WORK ZONE PAVEMENT MARKING REMOVAL	SQ FT	10736	10736		
* 78000100	THERMOPLASTIC PAVEMENT MARKING - LETTERS AND SYMBOLS	SQ FT	1122	1122		

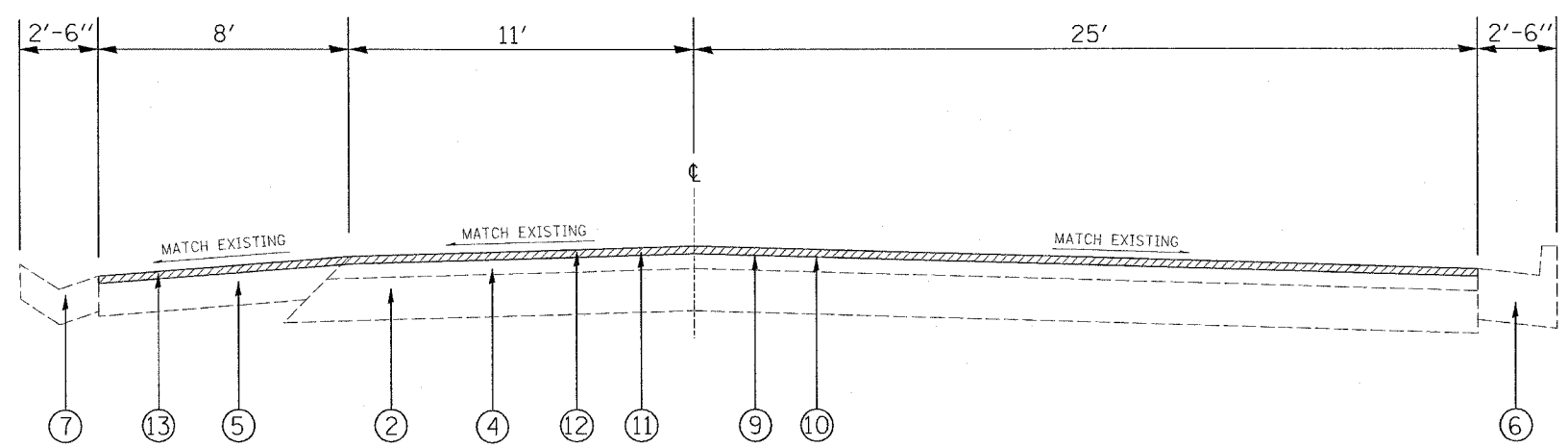
SUMMARY OF QUANTITIES			100% STATE TOTAL QUANTITIES	CONSTRUCTION TYPE CODE		
CODE NO	ITEM	UNIT		I000	-----	-----
* 78000200	THERMOPLASTIC PAVEMENT MARKING - LINE 4"	FOOT	26591	26591		
* 78000400	THERMOPLASTIC PAVEMENT MARKING - LINE 6"	FOOT	1149	1149		
* 78000600	THERMOPLASTIC PAVEMENT MARKING - LINE 12"	FOOT	174	174		
* 78000650	THERMOPLASTIC PAVEMENT MARKING - LINE 24"	FOOT	865	865		
* 78100100	RAISED REFLECTIVE PAVEMENT MARKER	EACH	314	314		
78300200	RAISED REFLECTIVE PAVEMENT MARKER REMOVAL	EACH	314	314		
* 88600600	DETECTOR LOOP REPLACEMENT	FOOT	2526	2526		
* X4066528	<sup>POLYMERIZED</sup> BITUMINOUS CONCRETE SURFACE COURSE, SUPERPAVE, MIX "D", N90	TON	2195	2195		
Z0018200	DRAINAGE STRUCTURE RECONSTRUCTION (SPECIAL)	EACH	5	5		

Rev. 7-18-06

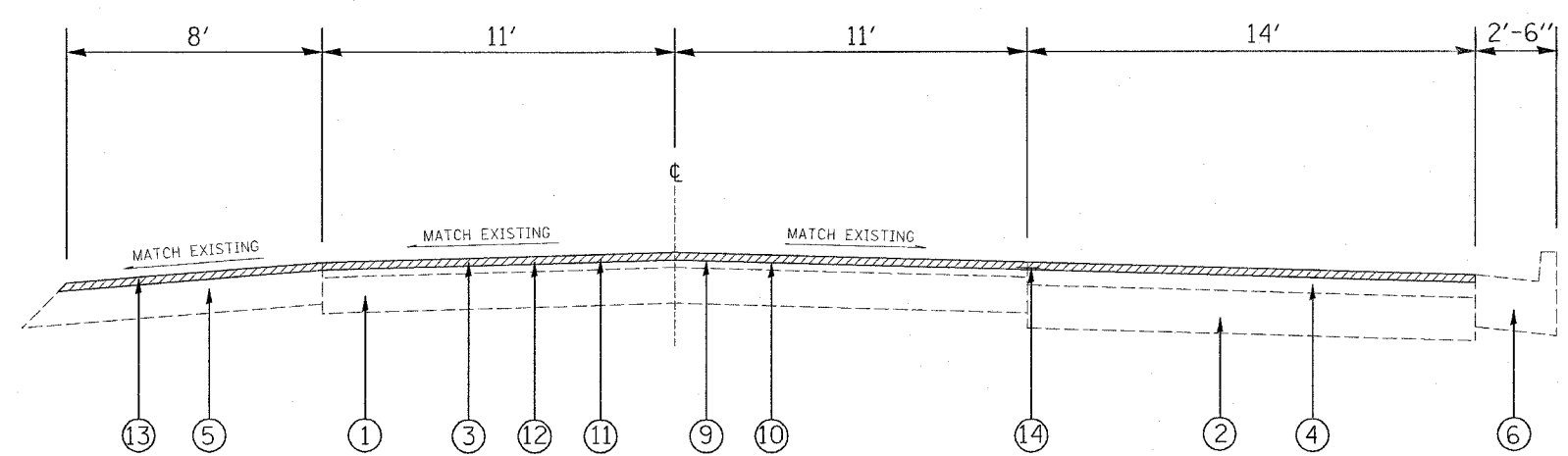
\*SPECIALTY ITEMS

6/17/2006  
 6/17/2006  
 6/17/2006  
 6/17/2006

F.A.P. RTE.	SECTION	COUNTY	TOTAL SHEETS	SHEET NO.
600	34RS-2	MADISON	39	6
STA. _____		TO STA. _____		
FED. ROAD DIST. NO. _____		ILLINOIS	FED. AID PROJECT	



TYPICAL SECTION  
STA 982+30.00 TO STA 984+20.00



TYPICAL SECTION  
STA 984+20.00 TO STA 987+45.00

LEGEND

- ① EXISTING PCC PAVEMENT, 7"
- ② EXISTING BITUMINOUS BASE COURSE, 8'-6"
- ③ EXISTING BITUMINOUS RESURFACING, 3.5"
- ④ EXISTING BITUMINOUS RESURFACING, 4.5"
- ⑤ EXISTING BITUMINOUS SHOULDERS, 8"
- ⑥ EXISTING CONCRETE CURB AND GUTTER TY. B-6.24
- ⑦ EXISTING TYPE B GUTTER
- ⑧ EXISTING TYPE B CURB
- ⑨ PROPOSED AGGREGATE MATERIALS (PRIME COAT)
- ⑩ PROPOSED BITUMINOUS MATERIALS (PRIME COAT)
- ⑪ PROPOSED BITUMINOUS SURFACE REMOVAL, 1.5"
- ⑫ PROPOSED BITUMINOUS CONCRETE SURFACE COURSE, SUPERPAVE, MIX D, N90
- ⑬ PROPOSED BITUMINOUS SHOULDERS SUPERPAVE 1.5"
- ⑭ PROPOSED STRIP REFLECTIVE CRACK CONTROL

NOTE: THE INTENT OF THE MILLING IS TO REMOVE 1/2" OF THE EXISTING SURFACE AND REPLACE WITH 1/2" OF BITUMINOUS CONCRETE SURFACE COURSE, SUPERPAVE, MIX "D", N90

REVISIONS	
NAME	DATE

ILLINOIS DEPARTMENT OF TRANSPORTATION  
**TYPICAL SECTIONS**

FAP ROUTE 600  
SECTION 34RS-2  
MADISON COUNTY

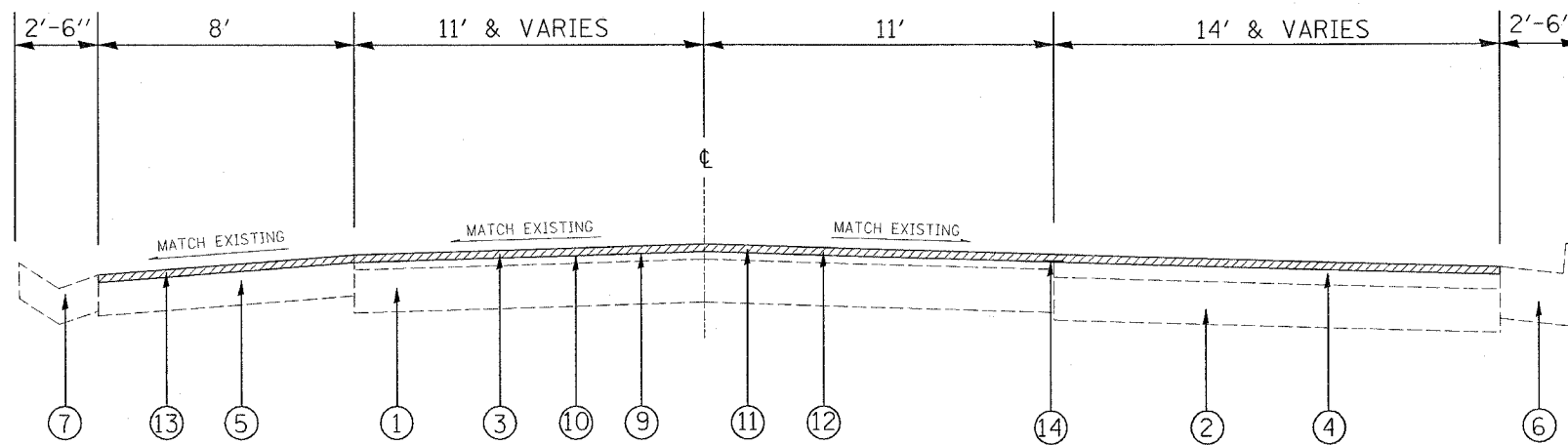
DRAWN BY: \_\_\_\_\_

Rev. 7-18-06

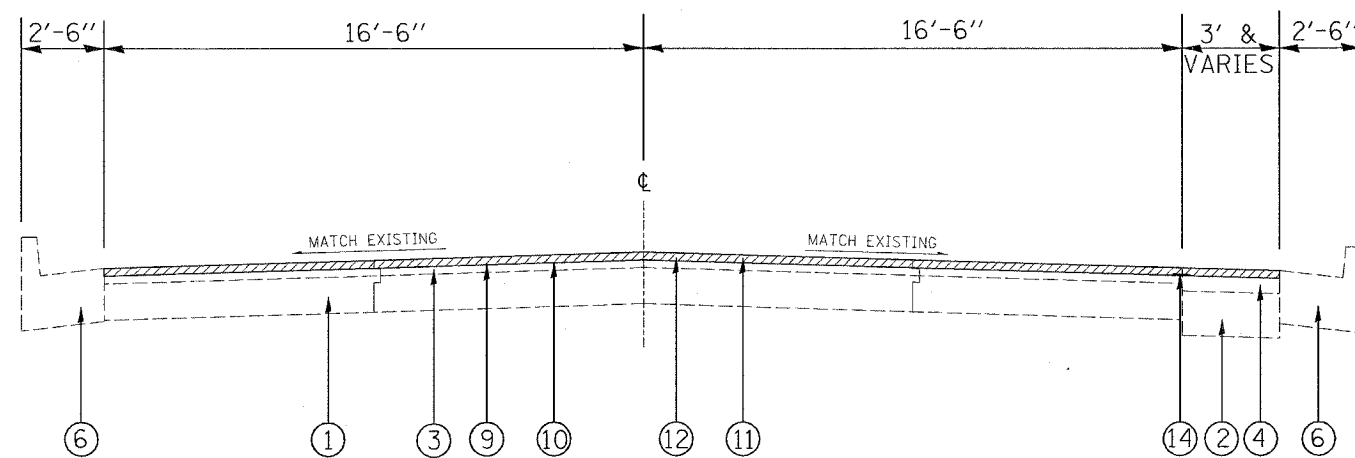
PLOT DATE: 5/17/2006

48051E44  
 5/17/2006  
 c:\p\proj\600\34rs-2\plan\typ\tdp\typ.dgn  
 48051E44  
 48051E44

F.A.P. RTE.	SECTION	COUNTY	TOTAL SHEETS	SHEET NO.
600	34RS-2	MADISON	39	7
STA. _____		TO STA. _____		
FED. ROAD DIST. NO. _____		ILLINOIS FED. AID PROJECT		



TYPICAL SECTION  
STA 987+45.00 TO STA 994+45.00



TYPICAL SECTION  
STA 994+45.00 TO STA 997+88.50

LEGEND

- ① EXISTING PCC PAVEMENT, 7"
- ② EXISTING BITUMINOUS BASE COURSE, 8'-6"
- ③ EXISTING BITUMINOUS RESURFACING, 3.5"
- ④ EXISTING BITUMINOUS RESURFACING, 4.5"
- ⑤ EXISTING BITUMINOUS SHOULDERS, 8"
- ⑥ EXISTING CONCRETE CURB AND GUTTER TY. B-6.24
- ⑦ EXISTING TYPE B GUTTER
- ⑧ EXISTING TYPE B CURB
- ⑨ PROPOSED AGGREGATE MATERIALS (PRIME COAT)
- ⑩ PROPOSED BITUMINOUS MATERIALS (PRIME COAT)
- ⑪ PROPOSED BITUMINOUS SURFACE REMOVAL. 1.5"
- ⑫ PROPOSED BITUMINOUS CONCRETE SURFACE COURSE, SUPERPAVE, MIX D, N90
- ⑬ PROPOSED BITUMINOUS SHOULDERS SUPERPAVE 1.5"
- ⑭ PROPOSED STRIP REFLECTIVE CRACK CONTROL

NOTE: THE INTENT OF THE MILLING IS TO REMOVE 1/2" OF THE EXISTING SURFACE AND REPLACE WITH 1/2" OF BITUMINOUS CONCRETE SURFACE COURSE, SUPERPAVE, MIX "D", N90

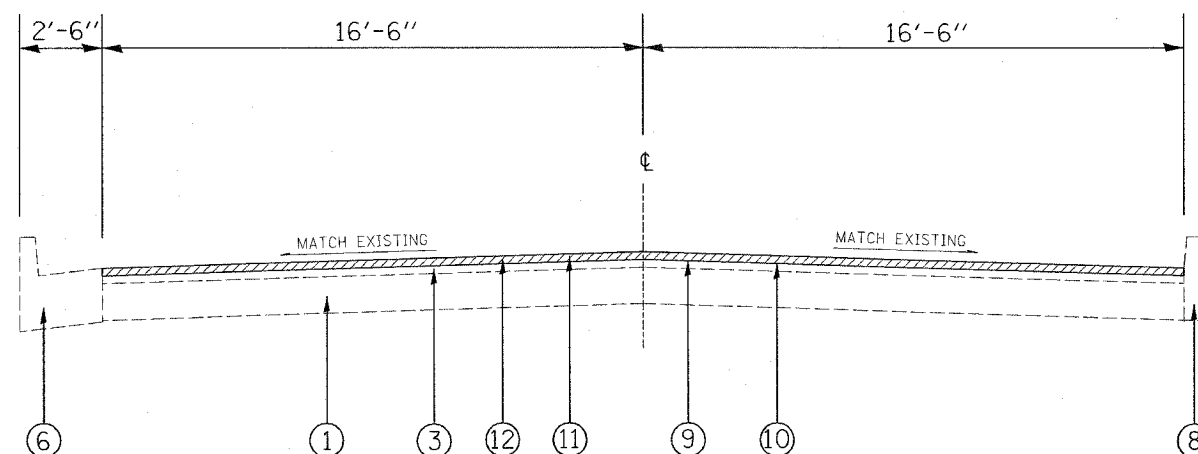
\*\*DATE\*\*  
 5/17/2006  
 \*REF\*  
 \*REF\*

REVISIONS	
NAME	DATE

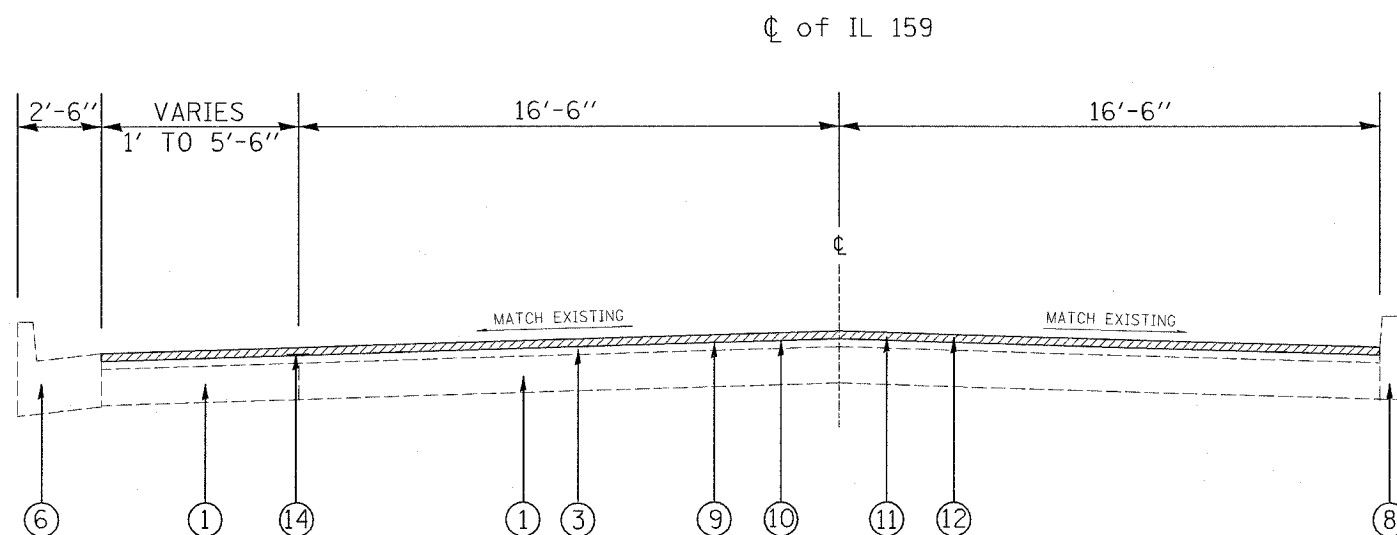
ILLINOIS DEPARTMENT OF TRANSPORTATION  
**TYPICAL SECTIONS**  
 FAP ROUTE 600  
 SECTION 34RS-2  
 COUNTY MADISON  
 DRAWN BY:  
 PLOT DATE: 5/17/2006

Rev. 7-18-06

F.A.P. RTE.	SECTION	COUNTY	TOTAL SHEETS	SHEET NO.
600	34RS-2	MADISON	39	8
STA. _____		TO STA. _____		
FED. ROAD DIST. NO. _____		ILLINOIS	FED. AID PROJECT	



TYPICAL SECTION  
STA 997+88.50 TO STA 999+36.00



TYPICAL SECTION  
STA 999+36.00 TO STA 1004+28.00

LEGEND

- ① EXISTING PCC PAVEMENT, 7"
- ② EXISTING BITUMINOUS BASE COURSE, 8'-6"
- ③ EXISTING BITUMINOUS RESURFACING, 3.5"
- ④ EXISTING BITUMINOUS RESURFACING, 4.5"
- ⑤ EXISTING BITUMINOUS SHOULDERS, 8"
- ⑥ EXISTING CONCRETE CURB AND GUTTER TY. B-6.24
- ⑦ EXISTING TYPE B GUTTER
- ⑧ EXISTING TYPE B CURB
- ⑨ PROPOSED AGGREGATE MATERIALS (PRIME COAT)
- ⑩ PROPOSED BITUMINOUS MATERIALS (PRIME COAT)
- ⑪ PROPOSED BITUMINOUS SURFACE REMOVAL, 1.5"
- ⑫ PROPOSED BITUMINOUS CONCRETE SURFACE COURSE, SUPERPAVE, MIX D, N90
- ⑬ PROPOSED BITUMINOUS SHOULDERS SUPERPAVE 1.5"
- ⑭ PROPOSED STRIP REFLECTIVE CRACK CONTROL

NOTE: THE INTENT OF THE MILLING IS TO REMOVE 1/2" OF THE EXISTING SURFACE AND REPLACE WITH 1/2" OF BITUMINOUS CONCRETE SURFACE COURSE, SUPERPAVE, MIX "D", N90

#11/17/06  
 #17/17/06  
 #17/17/06  
 #REF-  
 #REF-

Rev. 7-10-06

REVISIONS	
NAME	DATE

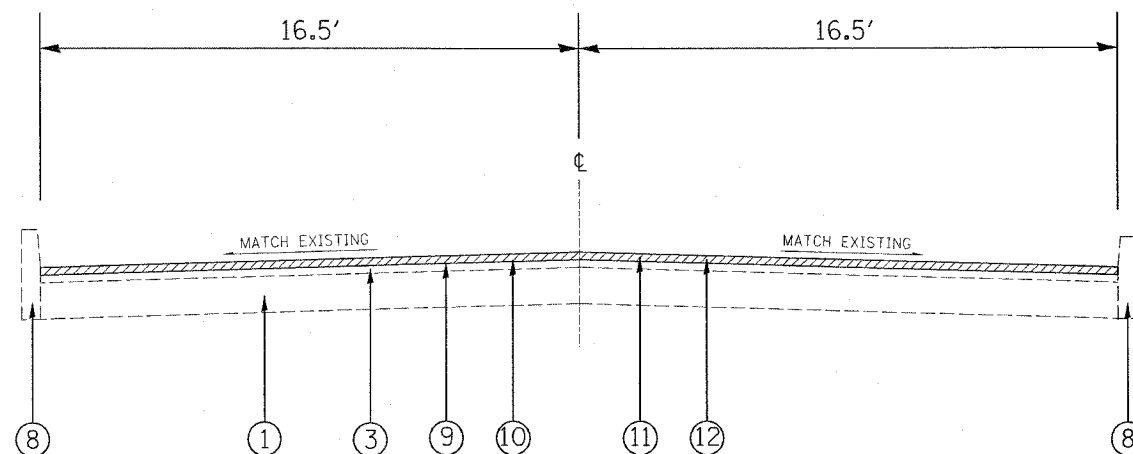
ILLINOIS DEPARTMENT OF TRANSPORTATION  
TYPICAL SECTIONS

FAP ROUTE 600  
SECTION 34RS-2  
COUNTY MADISON

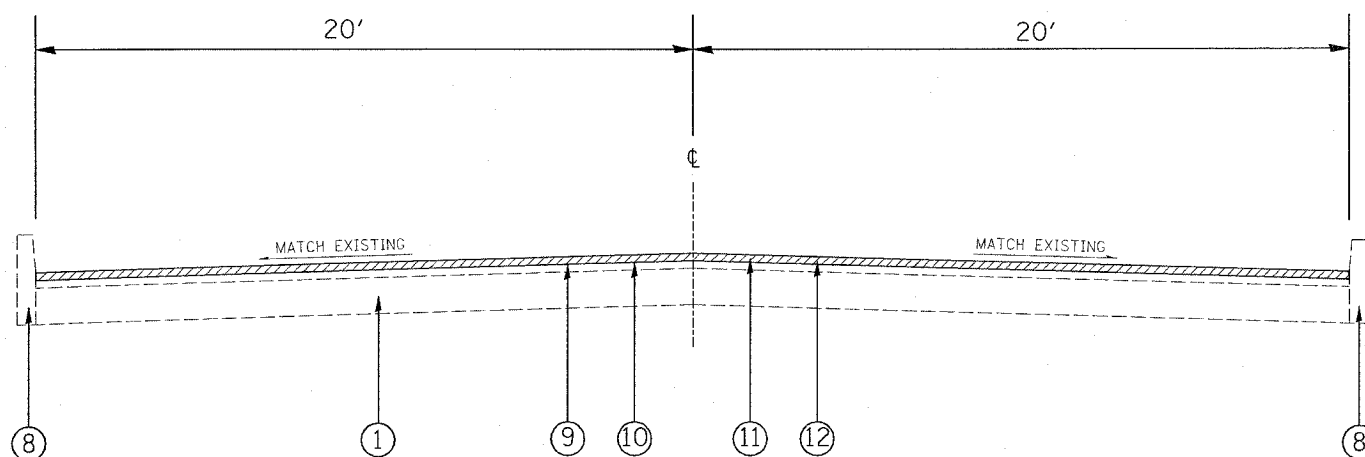
DRAWN BY:

PLOT DATE: 5/17/2006

F.A.P. RTE.	SECTION	COUNTY	TOTAL SHEETS	SHEET NO.
600	34RS-2	MADISON	39	9
STA. _____		TO STA. _____		
FED. ROAD DIST. NO. _____		ILLINOIS FED. AID PROJECT		



TYPICAL SECTION  
STA 1004+28.00 TO STA 1025+44.00



TYPICAL SECTION  
STA 1028+62.00 TO STA 1028+74.37  
STA 77+27.61 TO STA 88+10.00  
(STATION EQUATION: 1028+74.37 = 77+27.61)

LEGEND

- ① EXISTING PCC PAVEMENT, 7"
- ② EXISTING BITUMINOUS BASE COURSE, 8'-6"
- ③ EXISTING BITUMINOUS RESURFACING, 3.5"
- ④ EXISTING BITUMINOUS RESURFACING, 4.5"
- ⑤ EXISTING BITUMINOUS SHOULDERS, 8"
- ⑥ EXISTING CONCRETE CURB AND GUTTER TY. B-6.24
- ⑦ EXISTING TYPE B GUTTER
- ⑧ EXISTING TYPE B CURB
- ⑨ PROPOSED AGGREGATE MATERIALS (PRIME COAT)
- ⑩ PROPOSED BITUMINOUS MATERIALS (PRIME COAT)
- ⑪ PROPOSED BITUMINOUS SURFACE REMOVAL, 1.5"
- ⑫ PROPOSED BITUMINOUS CONCRETE SURFACE COURSE, SUPERPAVE, MIX D, N90
- ⑬ PROPOSED BITUMINOUS SHOULDERS SUPERPAVE 1.5"
- ⑭ PROPOSED STRIP REFLECTIVE CRACK CONTROL

NOTE: THE INTENT OF THE MILLING IS TO REMOVE 1/2" OF THE EXISTING SURFACE AND REPLACE WITH 1/2" OF BITUMINOUS CONCRETE SURFACE COURSE, SUPERPAVE, MIX "D", N90

M:\1154  
 5/17/2006  
 an\p\secta\wd\7108\plan\h\08\p.dgn  
 \*REF\*  
 \*REF\*

Rev. 7-18-06

REVISIONS	
NAME	DATE

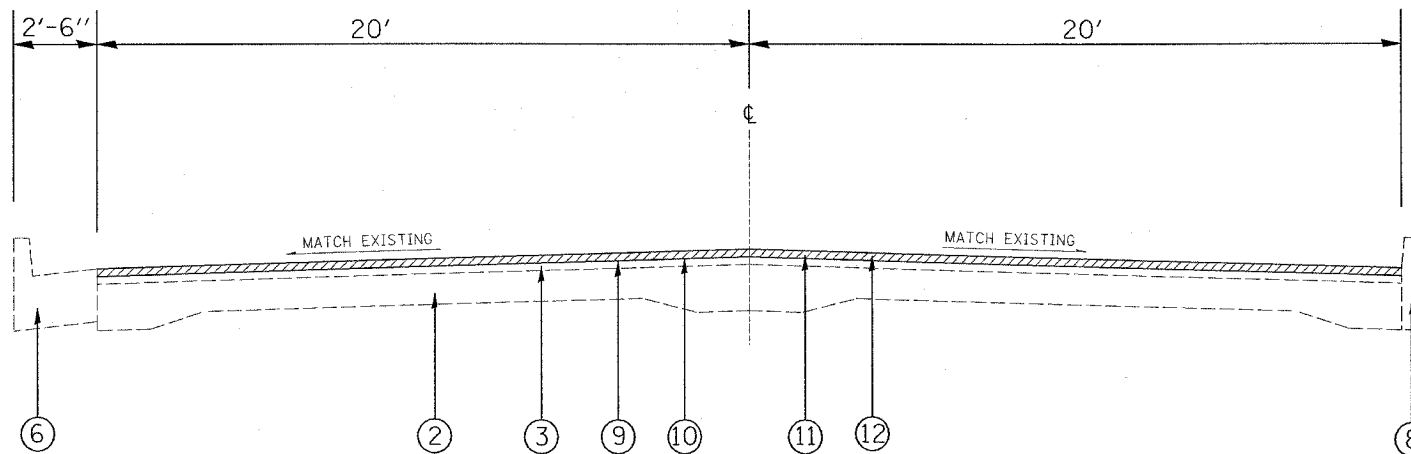
ILLINOIS DEPARTMENT OF TRANSPORTATION  
TYPICAL SECTIONS

FAP ROUTE 600  
SECTION 34RS-2  
COUNTY MADISON

DRAWN BY:

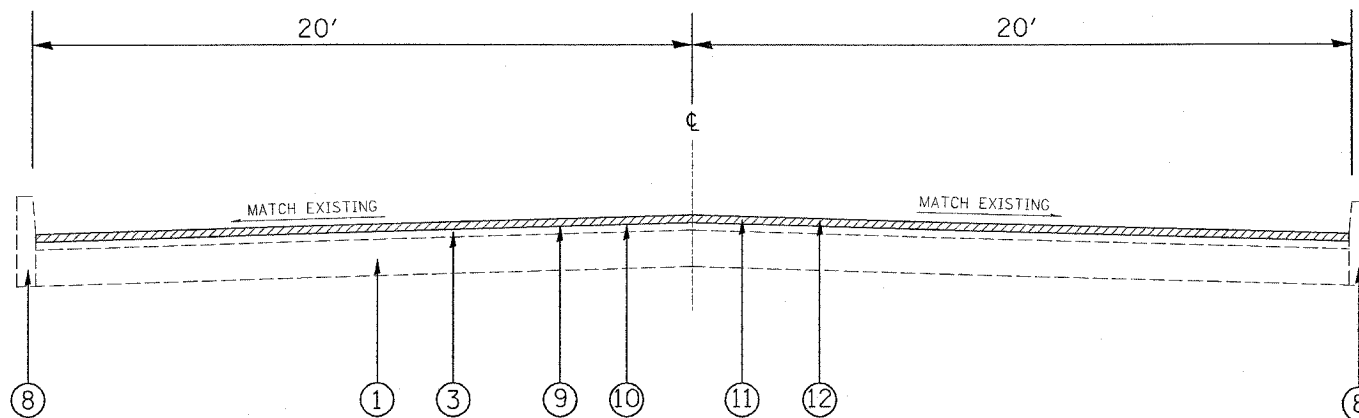
PLOT DATE: 5/17/2006

F.A.P. RTE.	SECTION	COUNTY	TOTAL SHEETS	SHEET NO.
600	34RS-2	MADISON	39	10
STA. _____ TO STA. _____		FED. ROAD DIST. NO. _____ ILLINOIS FED. AID PROJECT		



TYPICAL SECTION

STA 88+10.00 TO STA 92+10.00  
 STA 88+22.00 TO STA 90+88.00 S.B.\*  
 STA 88+88.00 TO STA 90+88.00 N.B.\*



TYPICAL SECTION

STA 92+10.00 TO STA 98+86.00

LEGEND

- ① EXISTING PCC PAVEMENT, 7"
- ② EXISTING BITUMINOUS BASE COURSE, 8'-6"
- ③ EXISTING BITUMINOUS RESURFACING, 3.5"
- ④ EXISTING BITUMINOUS RESURFACING, 4.5"
- ⑤ EXISTING BITUMINOUS SHOULDERS, 8"
- ⑥ EXISTING CONCRETE CURB AND GUTTER TY. B-6.24
- ⑦ EXISTING TYPE B GUTTER
- ⑧ EXISTING TYPE B CURB
- ⑨ PROPOSED AGGREGATE MATERIALS (PRIME COAT)
- ⑩ PROPOSED BITUMINOUS MATERIALS (PRIME COAT)
- ⑪ PROPOSED BITUMINOUS SURFACE REMOVAL. 1.5"
- \*PROPOSED BITUMINOUS SURFACE REMOVAL. 3"
- ⑫ PROPOSED ~~BITUMINOUS~~ <sup>POLYMERIZED</sup> CONCRETE SURFACE COURSE, SUPERPAVE, MIX D, N90
- ⑬ PROPOSED BITUMINOUS SHOULDERS SUPERPAVE 1.5"
- ⑭ PROPOSED STRIP REFLECTIVE CRACK CONTROL

NOTE: THE INTENT OF THE MILLING IS TO REMOVE 1 1/2" OF THE EXISTING SURFACE AND REPLACE WITH 1 1/2" OF BITUMINOUS CONCRETE SURFACE COURSE, SUPERPAVE, MIX "D", N90

\* IN THE AREA INDICATED, THE INTENT IS TO MILL 3" OF THE EXISTING SURFACE AND REPLACE WITH 1 1/2" OF ~~BITUMINOUS~~ <sup>POLYMERIZED</sup> CONCRETE SURFACE COURSE, SUPERPAVE, MIX "D", N90

REVISIONS	
NAME	DATE

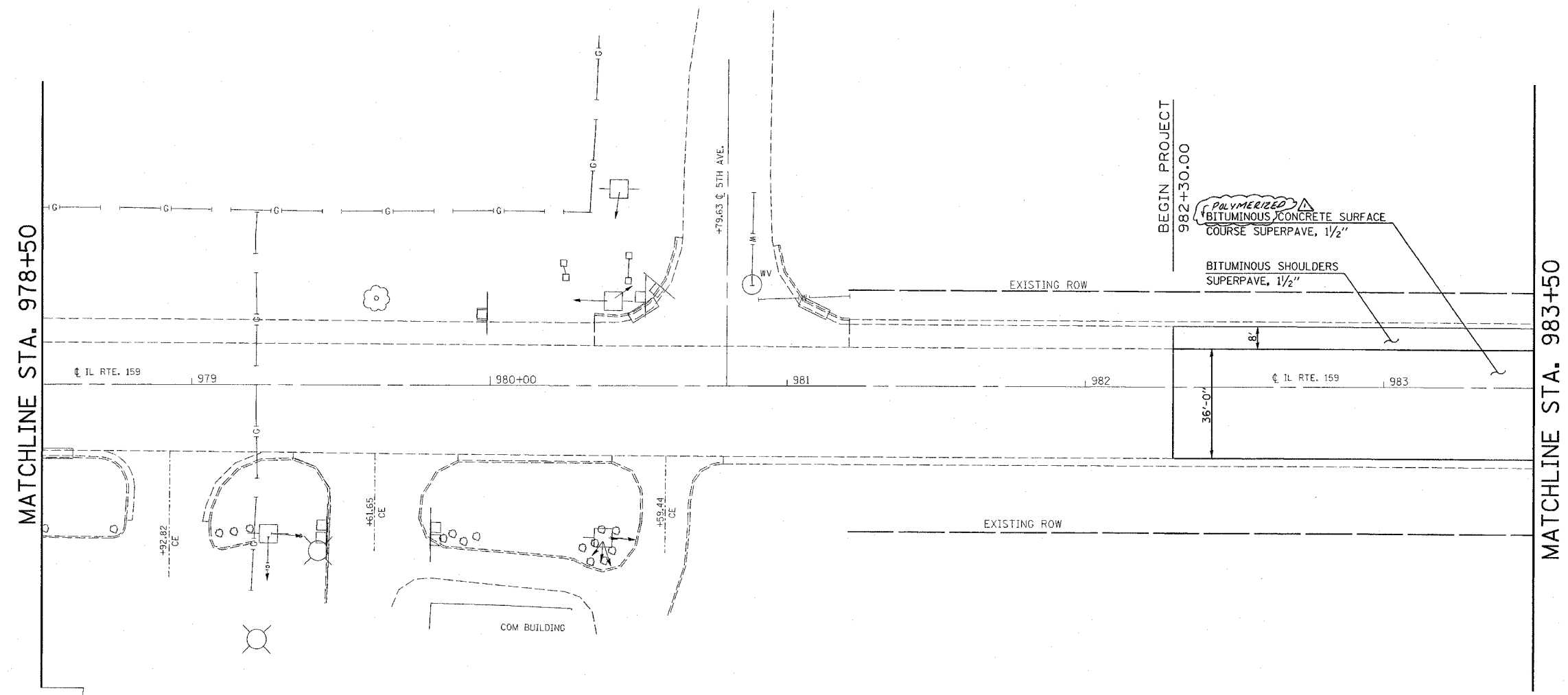
ILLINOIS DEPARTMENT OF TRANSPORTATION  
 TYPICAL SECTIONS

FAP ROUTE 600  
 SECTION 34RS-2  
 COUNTY MADISON

DRAWN BY:

PLOT DATE: 5/15/2006

F.A.P. RTE.	SECTION	COUNTY	TOTAL SHEETS	SHEET NO.
600	34RS-2	ST. CLAIR	39	11
STA. 978+50.00		TO STA. 983+50.00		
FED. ROAD DIST. NO.		ILLINOIS FED. AID PROJECT		

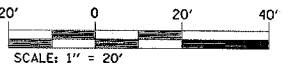


BEGIN PROJECT  
982+30.00

POLYMERIZED BITUMINOUS CONCRETE SURFACE COURSE SUPERPAVE, 1 1/2"

BITUMINOUS SHOULDERS SUPERPAVE, 1 1/2"

36'-0"



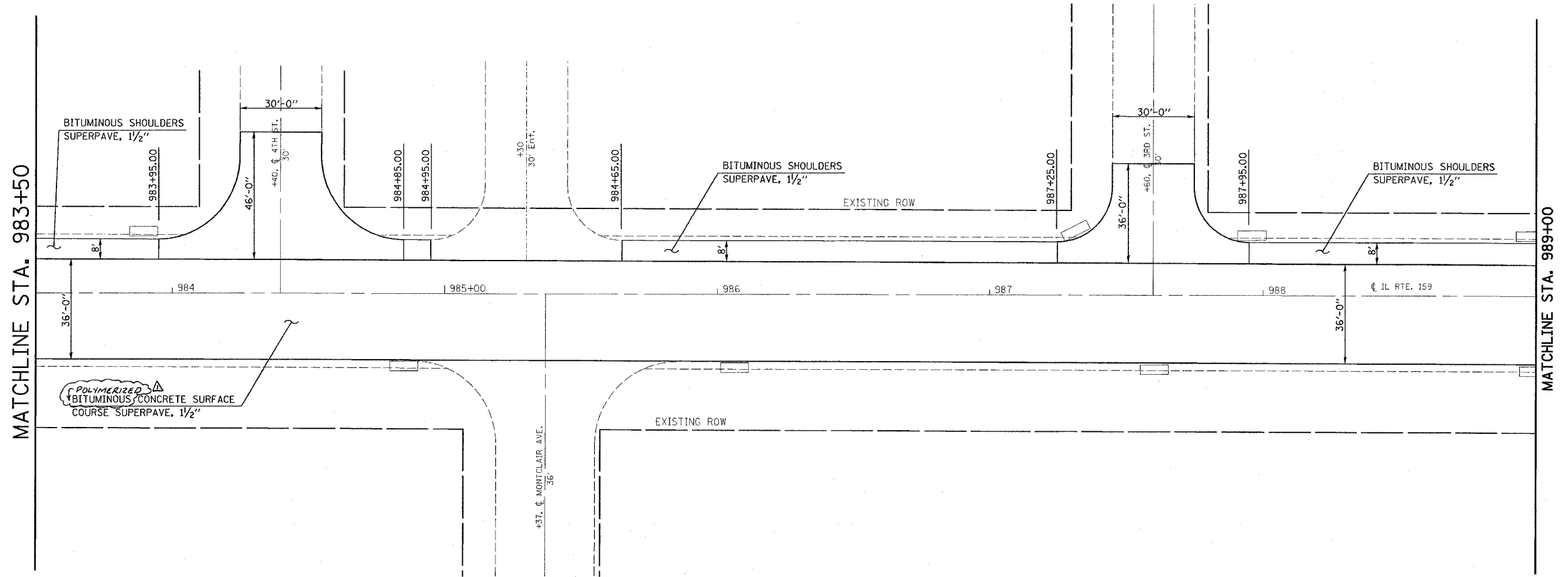
REVISIONS	
NAME	DATE

ILLINOIS DEPARTMENT OF TRANSPORTATION  
**PLAN VIEW**  
FAP ROUTE 600  
SECTION 34RS-2  
MADISON COUNTY  
SCALE: VERT. / HORIZ.  
DATE  
DRAWN BY  
CHECKED BY

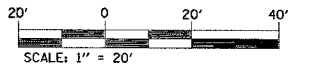
DATE = 5/15/2006  
FILE NAME = ...  
PLOT SCALE = 20,000 / IN.  
USER NAME = dintelman,j

Rev. 7-18-06

F.A.P. RTE.	SECTION	COUNTY	TOTAL SHEETS	SHEET NO.
600	34RS-2	ST. CLAIR	39	12
STA. 983+50.00		TO STA. 989+00.00		
FED. ROAD DIST. NO.		ILLINOIS FED. AID PROJECT		



PLOT DATE = 5/15/2006  
 PLOT SCALE = 20' = 1" (HORIZ.)  
 USER NAME = dntalman.jr



REVISIONS	
NAME	DATE

ILLINOIS DEPARTMENT OF TRANSPORTATION  
**PLAN VIEW**  
 FAP ROUTE 600  
 SECTION 34RS-2  
 MADISON COUNTY

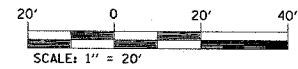
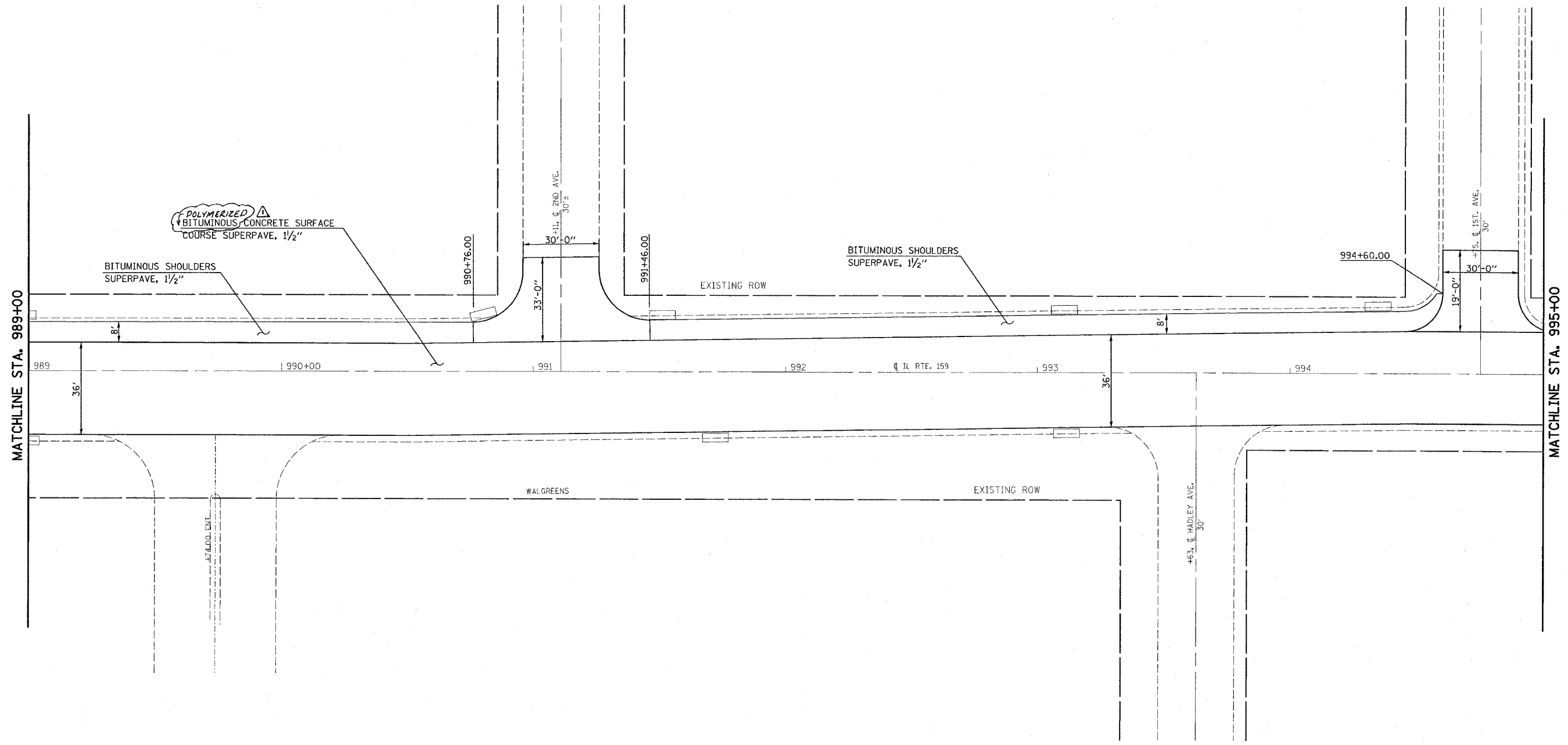
SCALE: VERT. \_\_\_\_\_  
 HORIZ. \_\_\_\_\_

DRAWN BY \_\_\_\_\_  
 CHECKED BY \_\_\_\_\_

Rev. 7-18-06



F.A.P. RTE.	SECTION	COUNTY	TOTAL SHEETS	SHEET NO.
600	34RS-2	ST. CLAIR	39	13
STA. 989+00.00		TO STA. 995+00.00		
FED. ROAD DIST. NO. ILLINOIS FED. AID PROJECT				



REVISIONS	
NAME	DATE

ILLINOIS DEPARTMENT OF TRANSPORTATION

**PLAN VIEW**

FAP ROUTE 600  
SECTION 34RS-2  
MADISON COUNTY

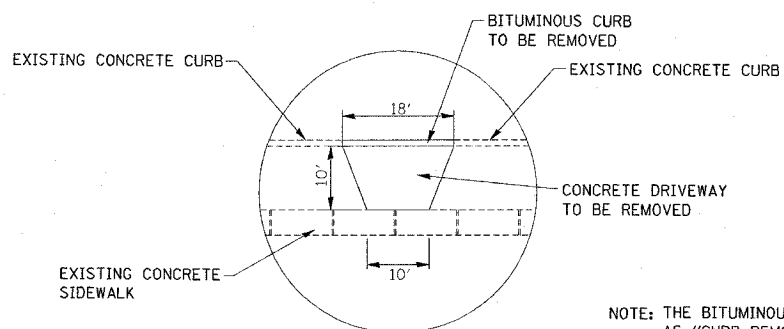
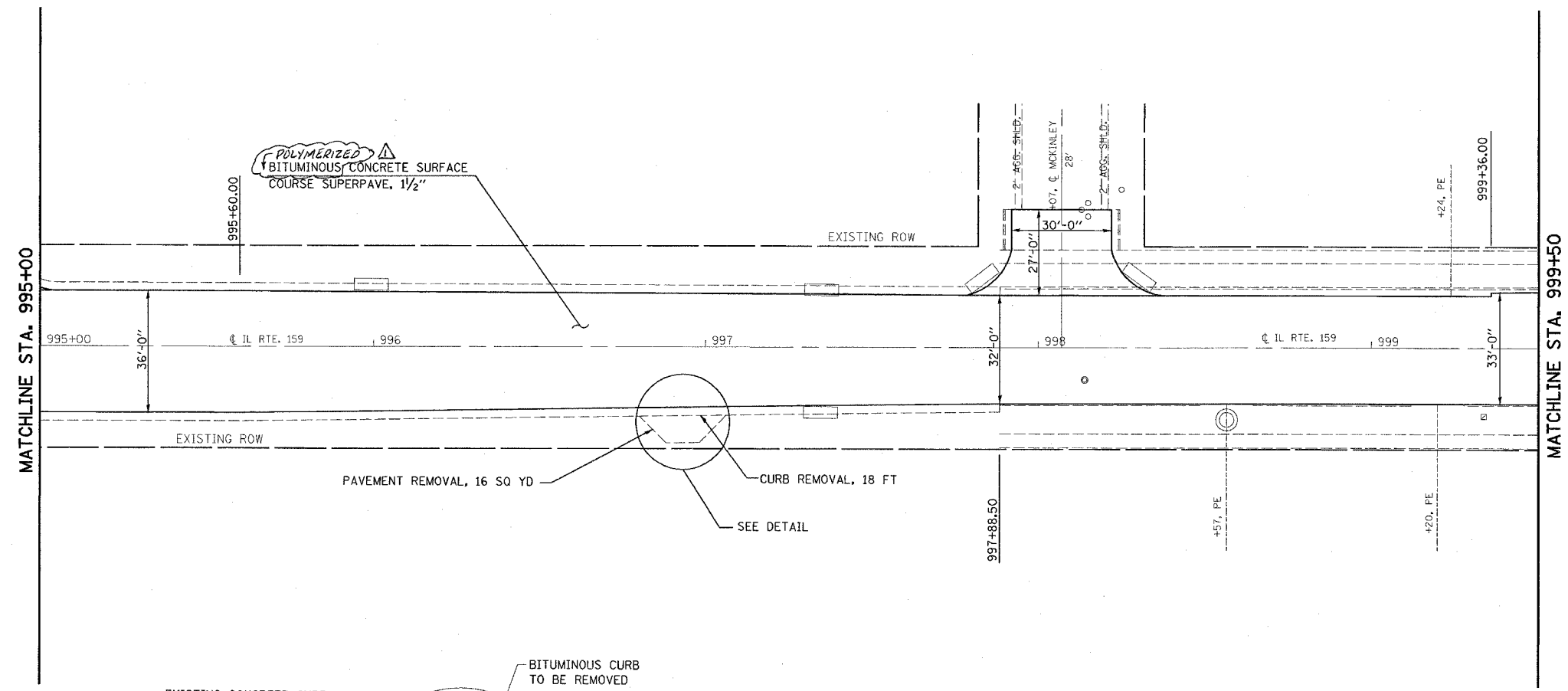
SCALE: VERT. \_\_\_\_\_  
HORIZ. \_\_\_\_\_

DATE \_\_\_\_\_ DRAWN BY \_\_\_\_\_  
CHECKED BY \_\_\_\_\_

PLOT DATE = 5/15/2006  
FILE NAME = c:\projects\ed\7188\plan\plan1809a.dgn  
PLOT SCALE = 20,000 / 1 IN.  
USER NAME = durnhamn

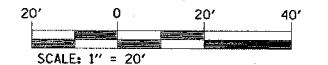
Rev. 7-18-06

F.A.P. RTE.	SECTION	COUNTY	TOTAL SHEETS	SHEET NO.
600	34RS-2	ST. CLAIR	39	14
STA. 995+00.00		TO STA. 999+50.00		
FED. ROAD DIST. NO.		ILLINOIS	FED. AID PROJECT	



NOTE: THE BITUMINOUS CURB REMOVAL WILL BE PAID FOR AS "CURB REMOVAL", AND THE CONCRETE DRIVEWAY REMOVAL WILL BE PAID FOR AS "PAVEMENT REMOVAL"

DETAIL



REVISIONS	
NAME	DATE

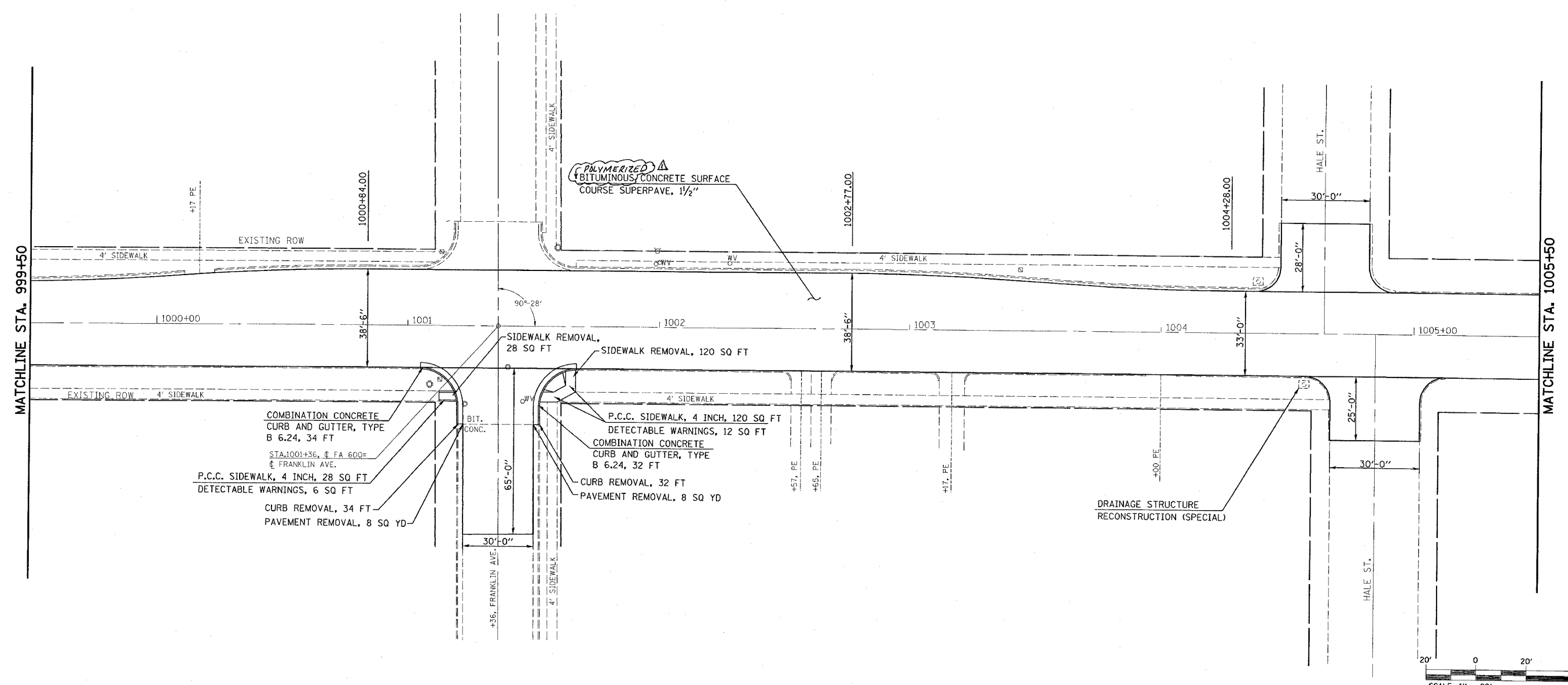
ILLINOIS DEPARTMENT OF TRANSPORTATION  
**PLAN VIEW**  
 FAP ROUTE 600  
 SECTION 34RS-2  
 MADISON COUNTY

SCALE: VERT. / HORIZ.  
 DATE  
 DRAWN BY / CHECKED BY

PLOT DATE = 5/15/2006  
 FILE NAME = c:\p\projects\adl\7180\plan\plan08.dgn  
 PLOT SCALE = 20,000 / 1 IN.  
 USER NAME = dntalmerj

Rev. 7-18-06

F.A.P. RTE.	SECTION	COUNTY	TOTAL SHEETS	SHEET NO.
600	34RS-2	ST. CLAIR	39	15
STA. 999+50.00		TO STA. 1005+50.00		
FED. ROAD DIST. NO. 1		ILLINOIS FED. AID PROJECT		



- COMBINATION CONCRETE CURB AND GUTTER, TYPE B 6.24, 34 FT
- STA. 1001+36, FA 600= FRANKLIN AVE.
- P.C.C. SIDEWALK, 4 INCH, 28 SQ FT
- DETECTABLE WARNINGS, 6 SQ FT
- CURB REMOVAL, 34 FT
- PAVEMENT REMOVAL, 8 SQ YD
- BIT. CONC.
- P.C.C. SIDEWALK, 4 INCH, 120 SQ FT
- DETECTABLE WARNINGS, 12 SQ FT
- COMBINATION CONCRETE CURB AND GUTTER, TYPE B 6.24, 32 FT
- CURB REMOVAL, 32 FT
- PAVEMENT REMOVAL, 8 SQ YD



REVISIONS	
NAME	DATE

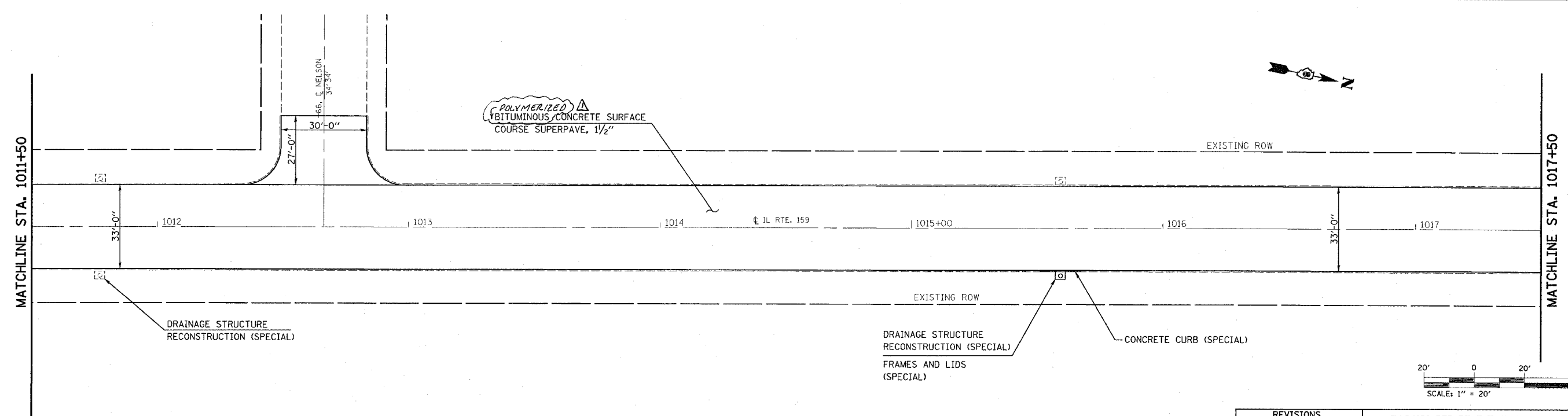
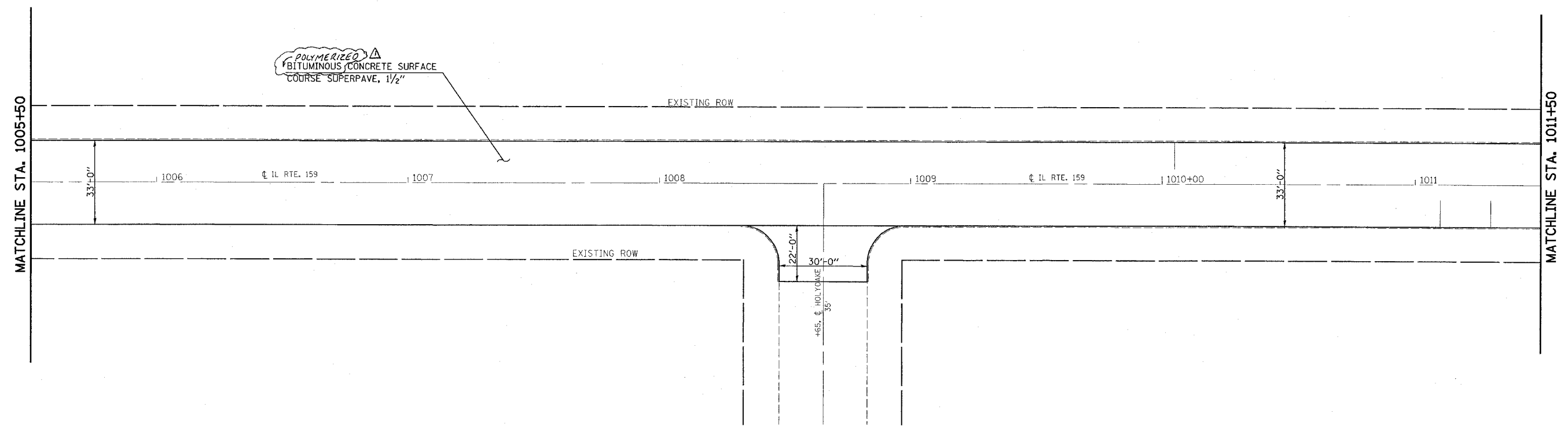
ILLINOIS DEPARTMENT OF TRANSPORTATION  
**PLAN VIEW**  
 FAP ROUTE 600  
 SECTION 34RS-2  
 MADISON COUNTY

SCALE: VERT. DATE  
 HORIZ. CHECKED BY

PLOT DATE = 5/15/2006  
 FILE NAME = c:\p\proj\as\ad7168\plan\plan081a.dgn  
 PLOT SCALE = 20/000 / IN.  
 USER NAME = dimitrakou

Rev. 7-18-06

F.A.P. RTE.	SECTION	COUNTY	TOTAL SHEETS	SHEET NO.
600	34RS-2	ST. CLAIR	39	16
STA. 1005+50.00		TO STA. 1017+50.00		
FED. ROAD DIST. NO.		ILLINOIS FED. AID PROJECT		



REVISIONS	
NAME	DATE

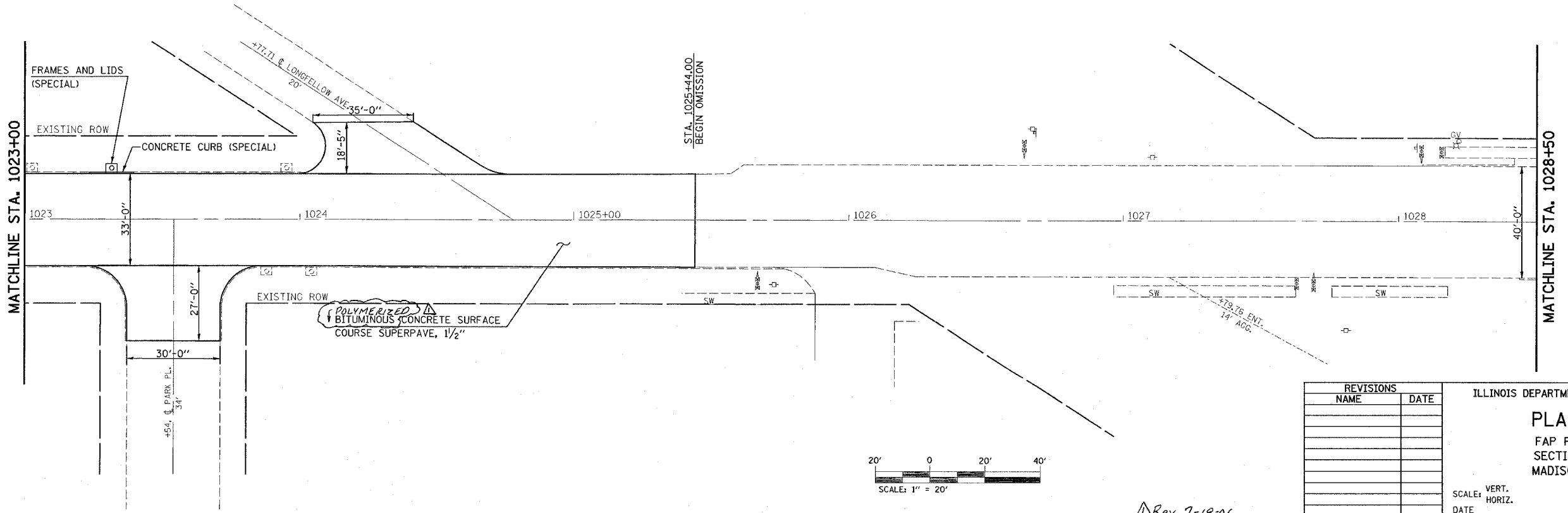
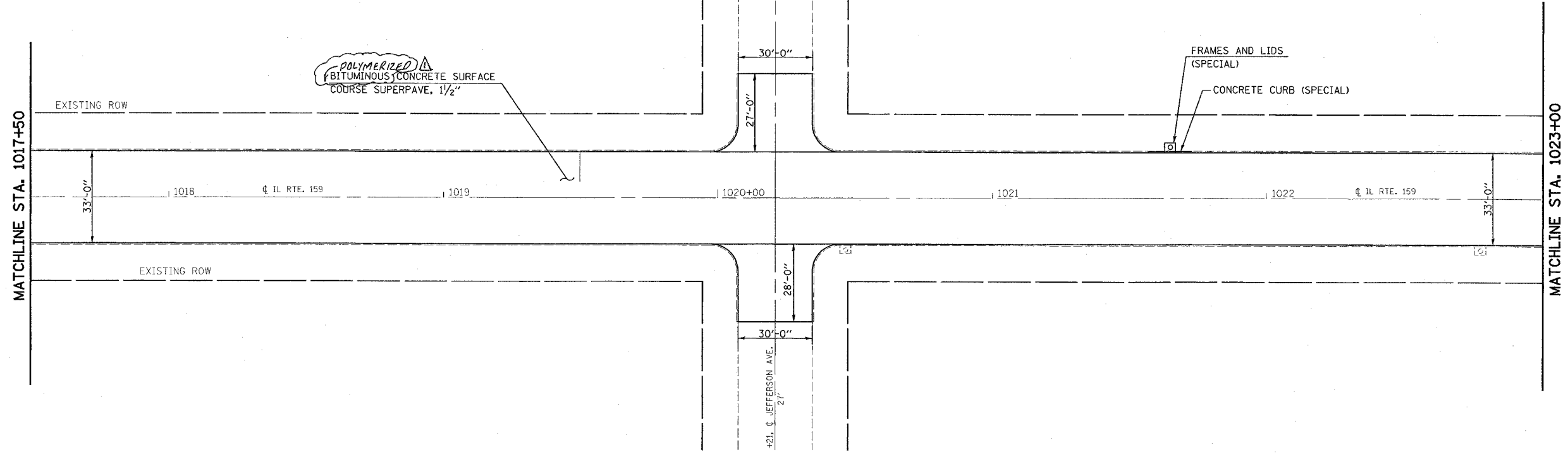
ILLINOIS DEPARTMENT OF TRANSPORTATION  
**PLAN VIEW**  
 FAP ROUTE 600  
 SECTION 34RS-2  
 MADISON COUNTY

SCALE: VERT. / HORIZ. / DATE  
 DRAWN BY / CHECKED BY

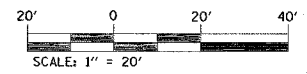
Rev. 7-18-06

PLOT DATE = 5/15/2006  
 FILE NAME = c:\p\proj\34rs2\1188\plan\p16.dgn  
 USER = dmshammy

F.A.P. RTE.	SECTION	COUNTY	TOTAL SHEETS	SHEET NO.
600	34RS-2	ST. CLAIR	39	17
STA. 1017+50.00		TO STA. 1028+60.00		
FED. ROAD DIST. NO. 1		ILLINOIS FED. AID PROJECT		



PLOT DATE = 5/15/2006  
 FILE NAME = o:\projects\ed7108\plan\plan.dgn  
 SCALE = 20.0000 / 1" = 20'  
 USER NAME = gmdmason



Rev. 7-18-06

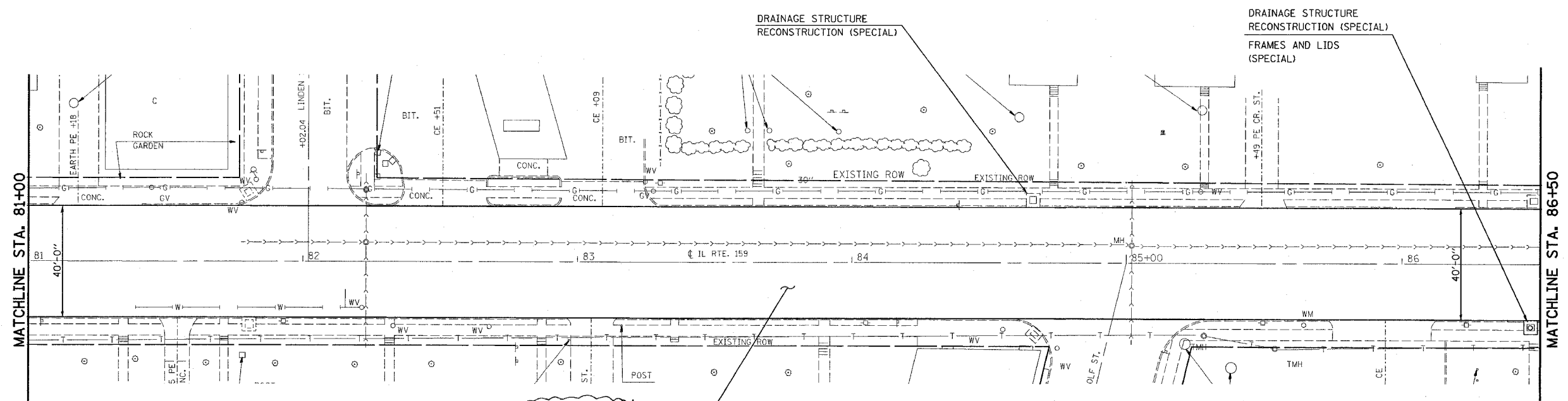
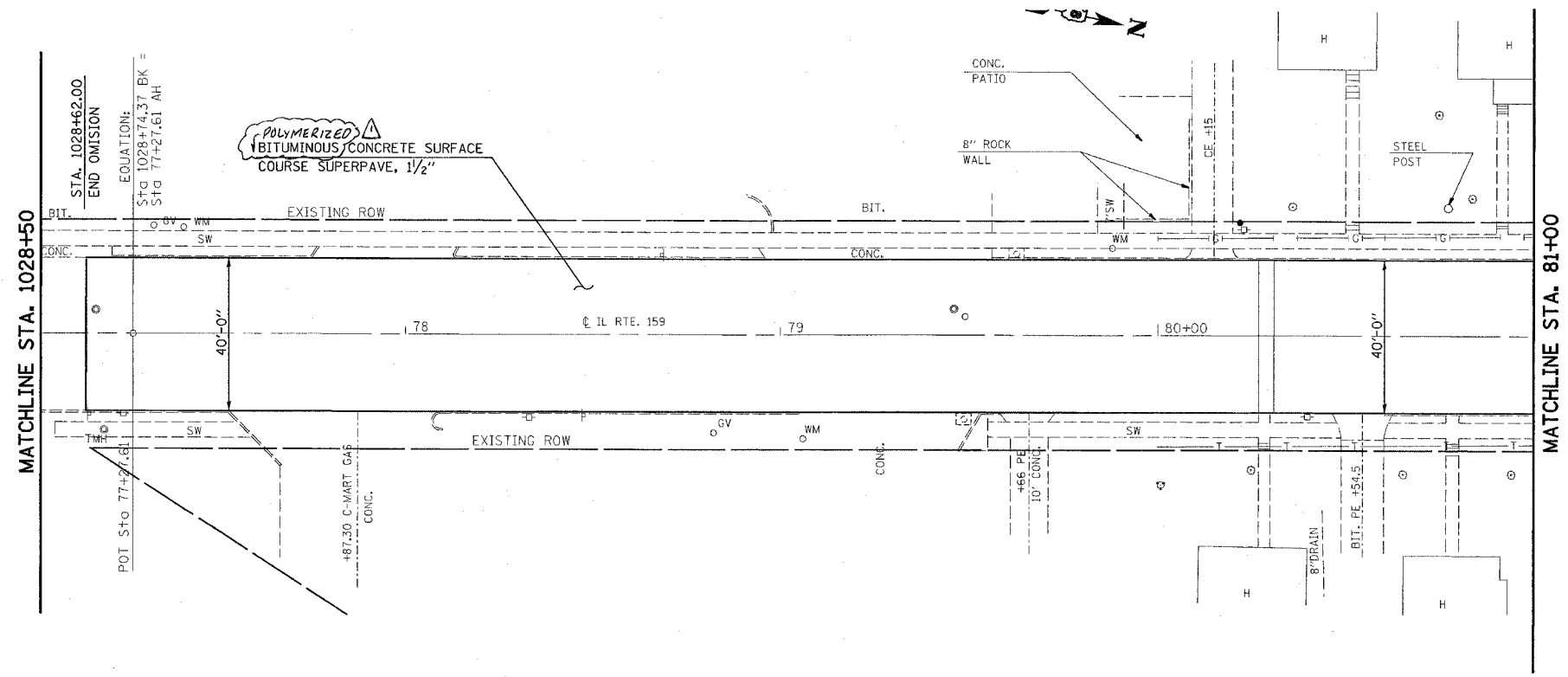
REVISIONS	
NAME	DATE

ILLINOIS DEPARTMENT OF TRANSPORTATION  
**PLAN VIEW**  
 FAP ROUTE 600  
 SECTION 34RS-2  
 MADISON COUNTY

SCALE: VERT. \_\_\_\_\_  
 HORIZ. \_\_\_\_\_  
 DATE \_\_\_\_\_

DRAWN BY \_\_\_\_\_  
 CHECKED BY \_\_\_\_\_

F.A.P. RTE.	SECTION	COUNTY	TOTAL SHEETS	SHEET NO.
600	34RS-2	ST. CLAIR	39	18
STA. 1028+60.00		TO STA. 86+50.00		
FED. ROAD DIST. NO. 1		ILLINOIS FED. AID PROJECT		



PLOT DATE = 5/15/2006  
 FILE NAME = d:\m\7180\plan\p1809a.dgn  
 PLOT SCALE = 20,000 / 1" = 1000'  
 USER NAME = dms\dmj

POLYMERIZED  
 BITUMINOUS CONCRETE SURFACE  
 COURSE SUPERPAVE, 1 1/2"

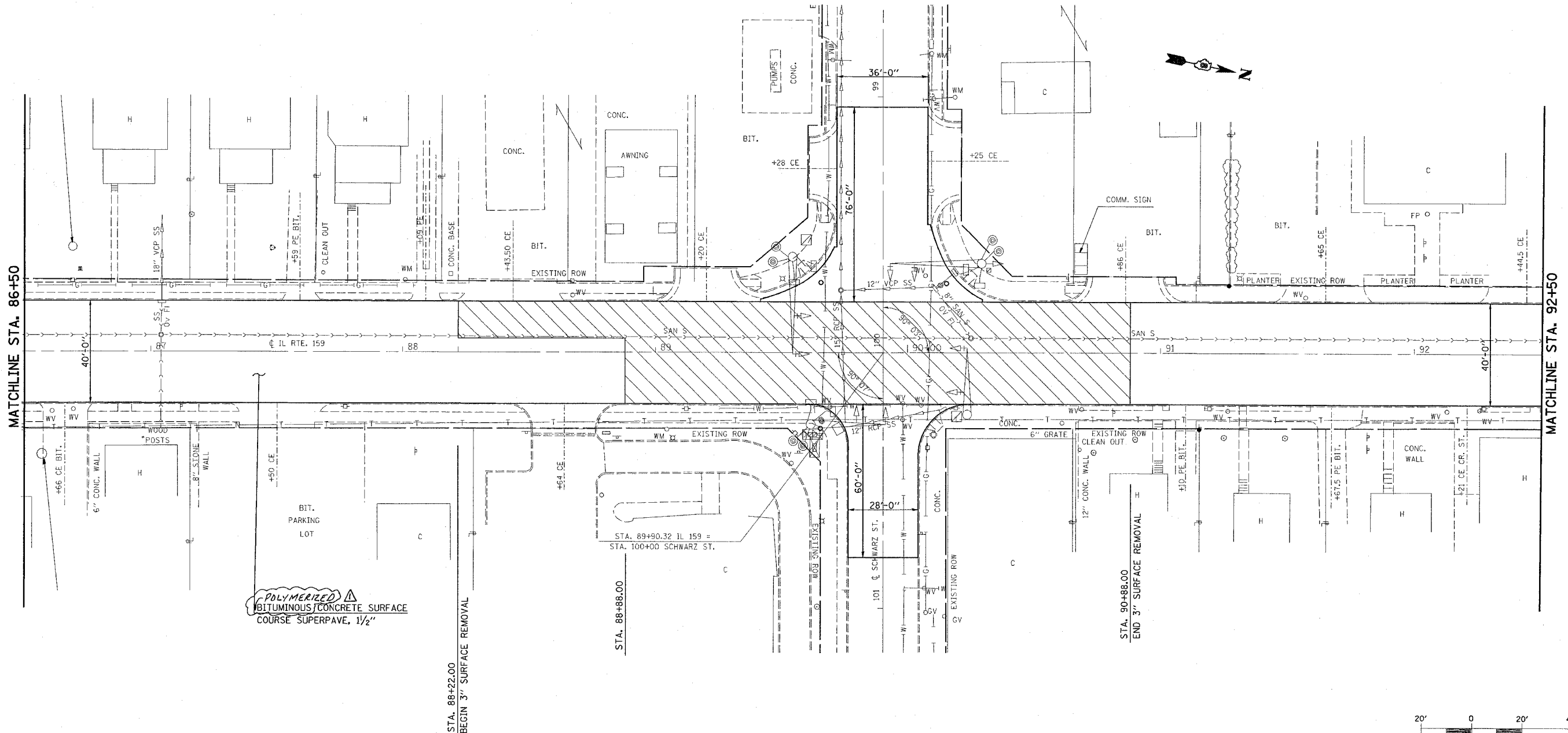


Rev. 7-18-06

REVISIONS	
NAME	DATE

ILLINOIS DEPARTMENT OF TRANSPORTATION  
**PLAN VIEW**  
 FAP ROUTE 600  
 SECTION 34RS-2  
 MADISON COUNTY  
 SCALE: VERT. 1" = 40'  
 HORIZ. 1" = 100'  
 DATE: \_\_\_\_\_  
 DRAWN BY: \_\_\_\_\_  
 CHECKED BY: \_\_\_\_\_

F.A.P. RTE.	SECTION	COUNTY	TOTAL SHEETS	SHEET NO.
600	34RS-2	ST. CLAIR	39	19
STA. 86+50.00 TO STA. 92+50.00				
FED. ROAD DIST. NO. 1			ILLINOIS FED. AID PROJECT	



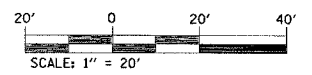
**POLYMERIZED BITUMINOUS/CONCRETE SURFACE COURSE SUPERPAVE, 1 1/2"**

STA. 88+22.00  
BEGIN 3" SURFACE REMOVAL

STA. 88+88.00

STA. 90+88.00  
END 3" SURFACE REMOVAL

STA. 89+90.32 IL 159 =  
STA. 100+00 SCHWARZ ST.

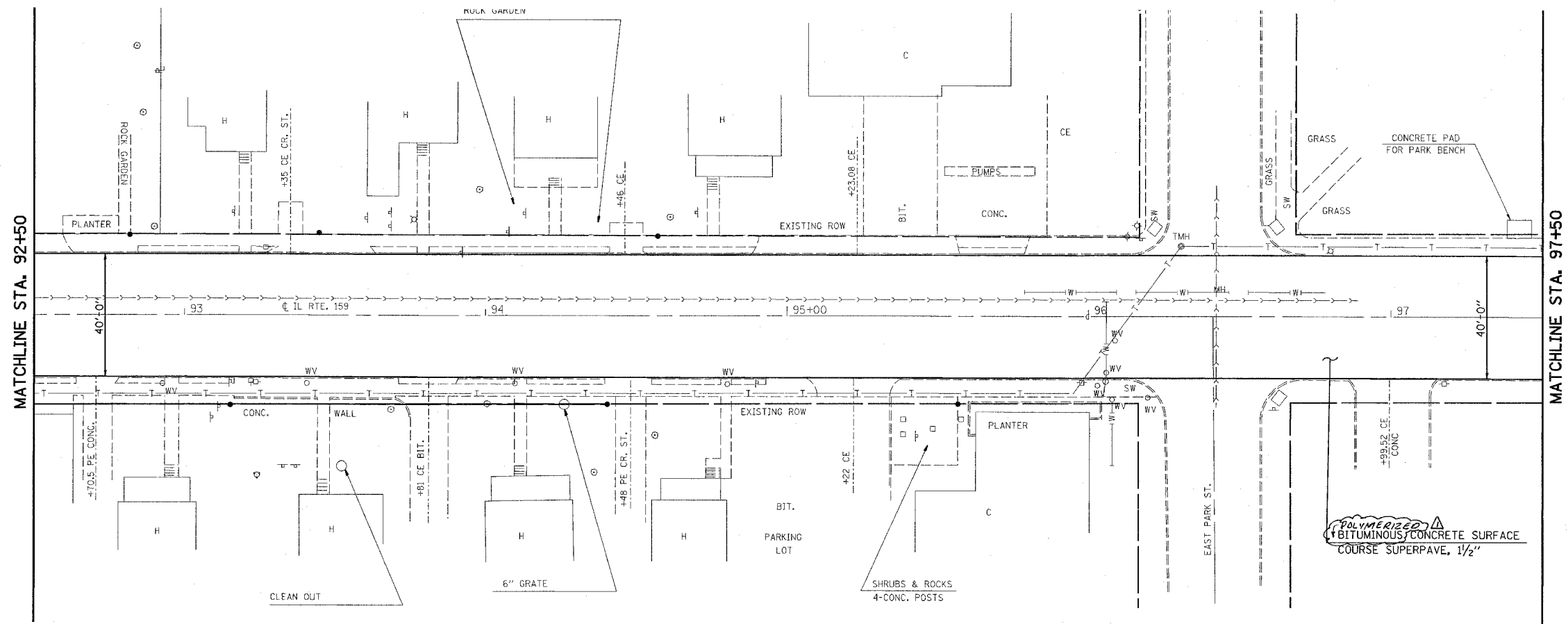


ILLINOIS DEPARTMENT OF TRANSPORTATION	
<b>PLAN VIEW</b>	
FAP ROUTE 600 SECTION 34RS-2 MADISON COUNTY	
SCALE: VERT. _____	DRAWN BY _____
DATE _____	CHECKED BY _____

Rev. 7-18-06

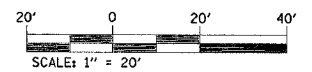
PLOT DATE = 5/15/2006  
FILE NAME = c:\projects\ad7100\plan\plan09.dwg  
PLOT SCALE = 20.0000 / 1" = 20'  
USER NAME = gmdmmerj

F.A.P. RTE.	SECTION	COUNTY	TOTAL SHEETS	SHEET NO.
600	34RS-2	ST. CLAIR	39	20
STA. 92+50.00		TO STA. 97+50.00		
FED. ROAD DIST. NO.		ILLINOIS FED. AID PROJECT		



MATCHLINE STA. 92+50

MATCHLINE STA. 97+50



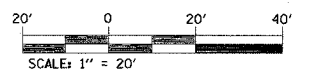
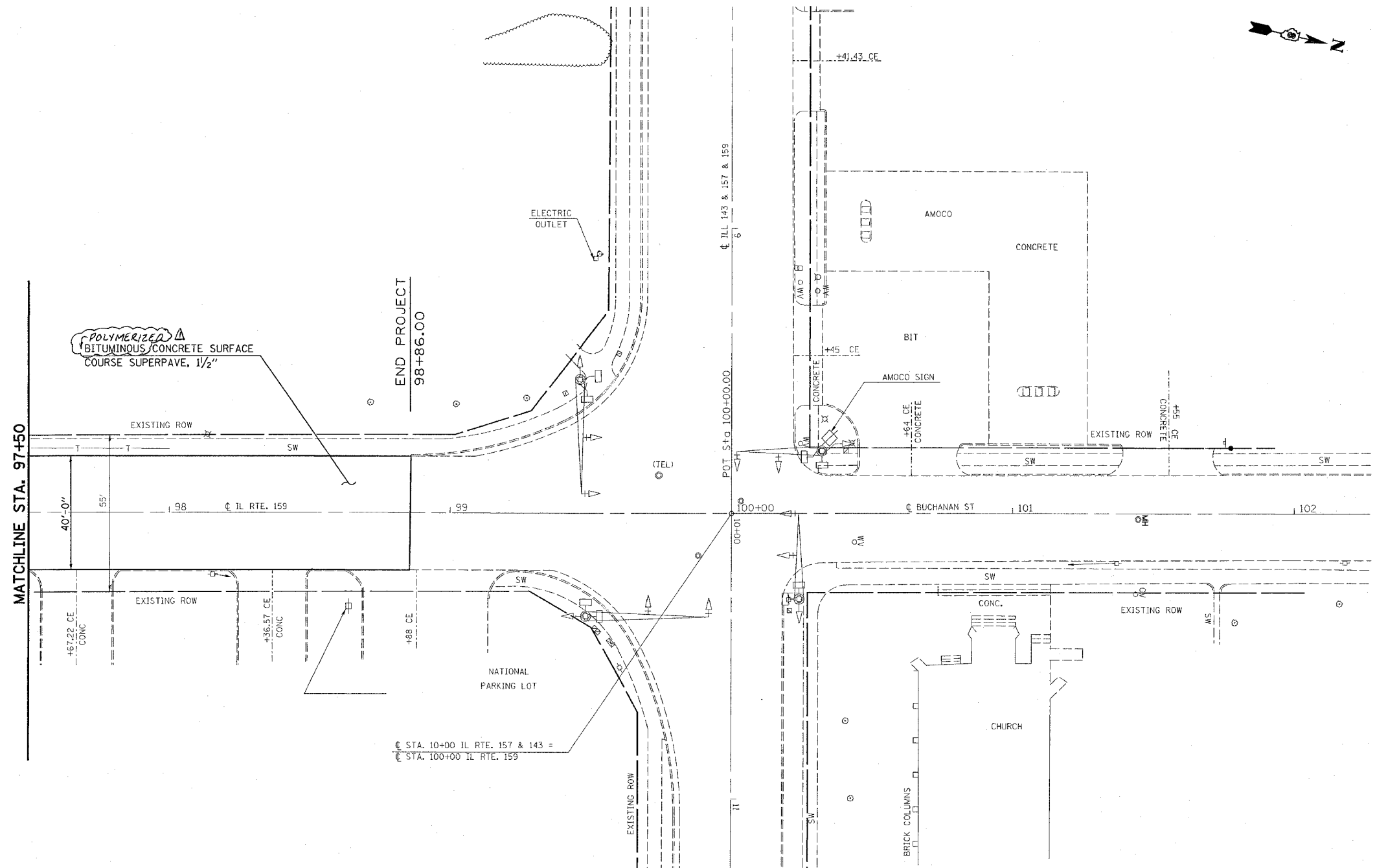
PLOT DATE = 5/15/2006  
 FILE NAME = c:\pwork\jst\108\108\plan\plan08.dgn  
 USER NAME = dntslm\j

ILLINOIS DEPARTMENT OF TRANSPORTATION	
<b>PLAN VIEW</b>	
FAP ROUTE 600 SECTION 34RS-2 MADISON COUNTY	
SCALE: VERT. HORIZ.	DRAWN BY
DATE	CHECKED BY

Rev. 7-18-06



F.A.P. RTE.	SECTION	COUNTY	TOTAL SHEETS	SHEET NO.
600	34RS-2	ST. CLAIR	39	21
STA. 97+50.00		TO STA. 98+86.00		
FED. ROAD DIST. NO. 1		ILLINOIS	FED. AID PROJECT	



PLOT DATE = 5/15/2006  
 PLOT SCALE = 20,000 / IN.  
 USER NAME = dmselmanj

Rev. 7-18-06

DATE

ILLINOIS DEPARTMENT OF TRANSPORTATION

**PLAN VIEW**

FAP ROUTE 600  
SECTION 34RS-2  
MADISON COUNTY

SCALE: VERT. \_\_\_\_\_  
HORIZ. \_\_\_\_\_

DATE \_\_\_\_\_ DRAWN BY \_\_\_\_\_  
CHECKED BY \_\_\_\_\_