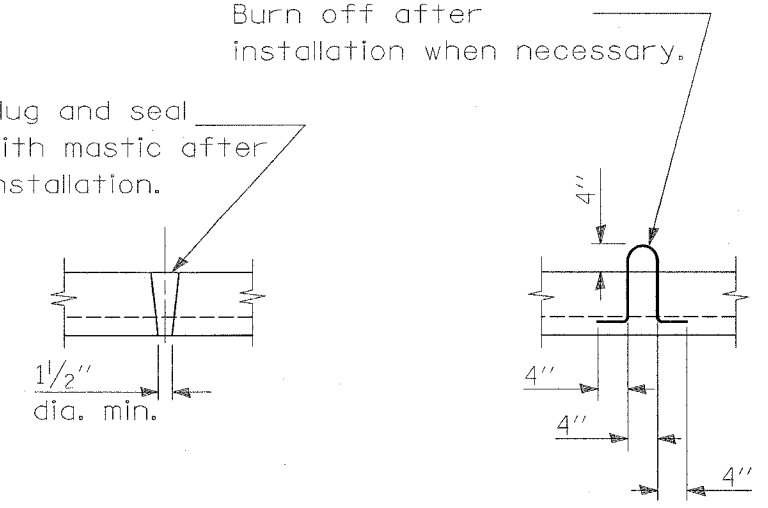


No. 15 (No. 4) bars
30" long

No. 15 (No. 4) bar loop.
Burn off after
installation when necessary.

Plug and seal
with mastic after
installation.

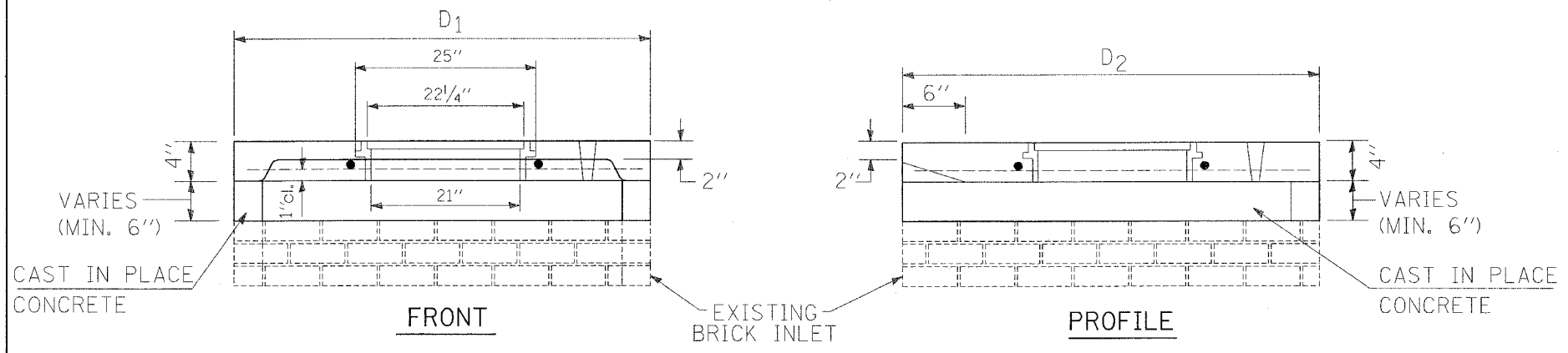


**LIFTING HOLE OR LIFTING LOOP
TYPICAL**

(3 required per slab)

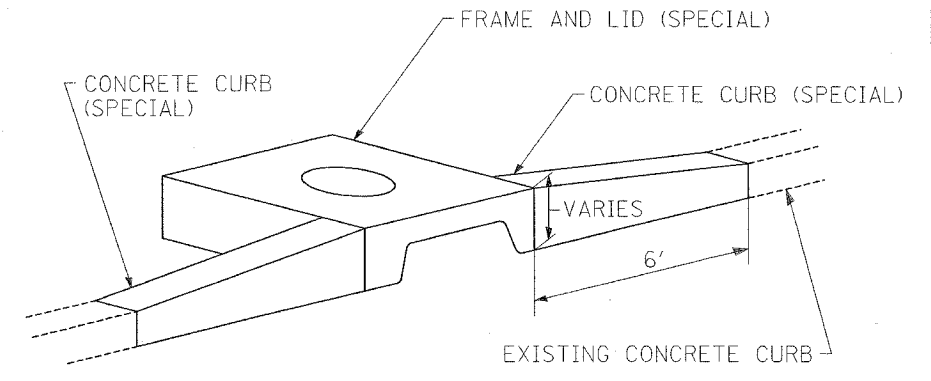
**PLAN
(WELDED WIRE FABRIC)**

**PLAN
(REINFORCEMENT BARS)**



FRONT

PROFILE



CONCRETE CURB (SPECIAL)

LOCATION	D ₁	D ₂
1015+60	5'	5'
1021+65	5'	5'
1023+32	5'	5'
86+48	5'-3"	5'-4"

FRAME AND LID (SPECIAL)



REVISIONS	
NAME	DATE

ILLINOIS DEPARTMENT OF TRANSPORTATION
**DRAINAGE STRUCTURE
DETAILS**
FAP ROUTE 600
SECTION 34RS-2
MADISON COUNTY

PLOT DATE = 5/15/2006
FILE NAME = c:\pwworking\autocad7168\plan\slr10805.dgn
PLOT SCALE = 20,000 / IN.
USER NAME = dimalmon