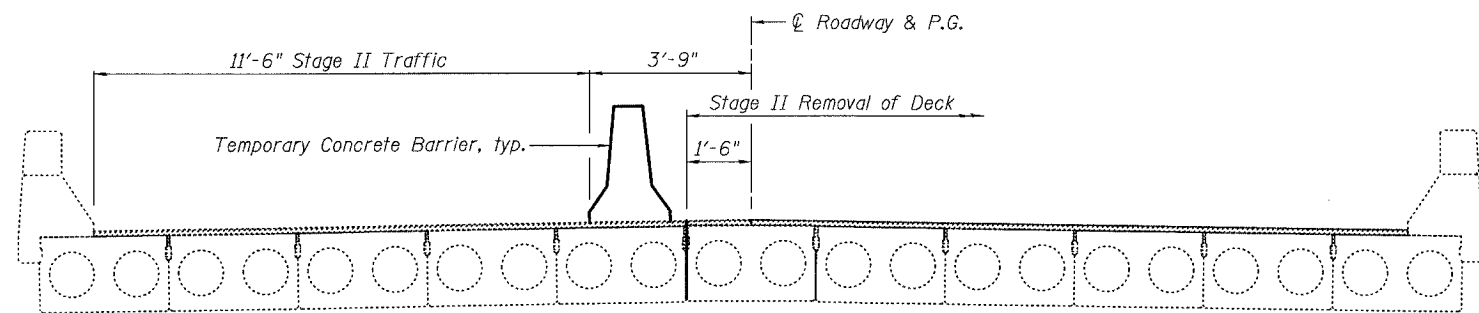


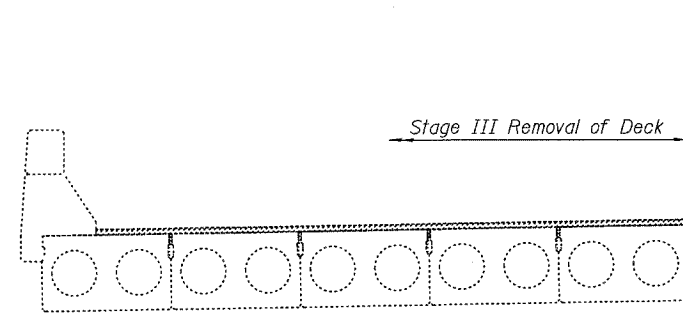
STATE OF ILLINOIS  
DEPARTMENT OF TRANSPORTATION

ROUTE NO.	SECTION	COUNTY	TOTAL SHEETS	SHEET NO.	SHEET NO. 8 39 SHEETS
-	-	-	03	32	
FED. ROAD DIST. NO. 7	ILLINOIS	FED. AID PROJECT-			

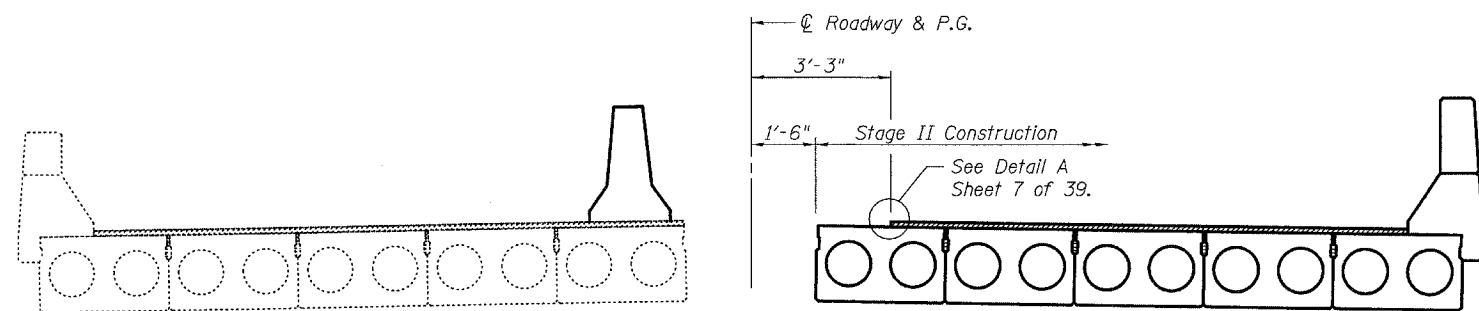
Contract #76899



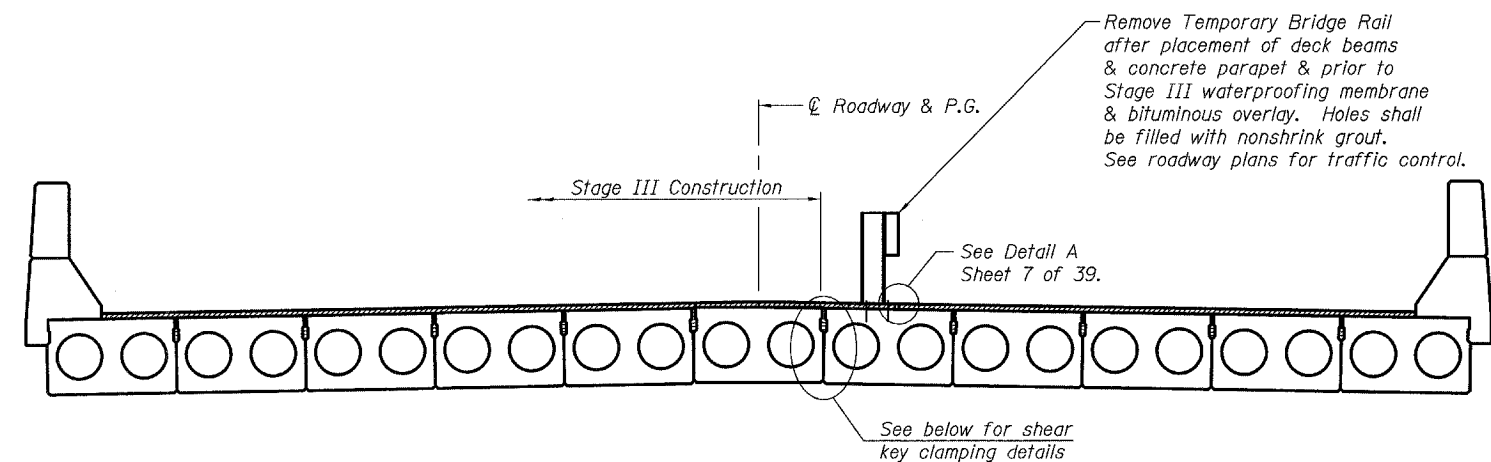
**STAGE II REMOVAL**  
(Looking East)



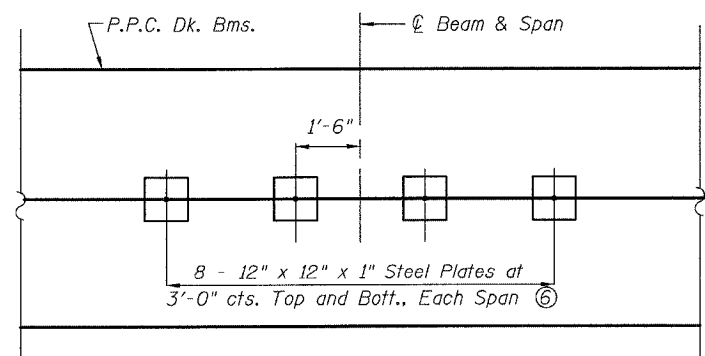
**STAGE III REMOVAL**  
(Looking East)



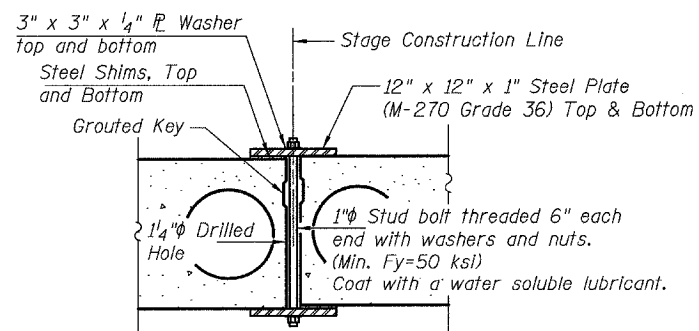
**STAGE II CONSTRUCTION**  
(Looking East)



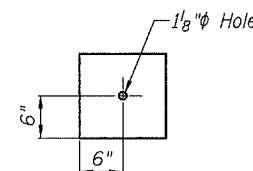
**STAGE III CONSTRUCTION**  
(Looking East)



**PLAN**



**SECTION**



**CLAMPING PLATE**

- Notes:
- ① For quantity of Temporary Bridge Rail and Temporary Concrete Barrier, see roadway plans.
  - ② For details of Temporary Bridge Rail, see sheet 9 & 10 of 39.
  - ③ For details of Temporary Concrete Barrier, see sheet 11 of 39.
  - ④ See Special Provisions for Stage Construction Precast Prestressed Concrete Deck Beams.
  - ⑤ Cost of shear key clamps is included with Precast Prestressed Concrete Deck Beams (21" Depth).
  - ⑥ Space clamping plates to miss temporary bridge rail posts.

**STAGE CONSTRUCTION DETAILS**  
**SPANS 4-15**  
**OLD U.S. ROUTE 50 OVER**  
**SHOAL CREEK**  
**F.A.S. ROUTE 1780 - SECTION 24-BR**  
**CLINTON COUNTY**  
**STA. 102+51.47**  
**STRUCTURE NO. 014-0062**

PLOT DATE = 05/15/2006  
FILE NAME = h:\p\25004\technical\production\structural\en 014-0062\final.plans\0062-08-stgsh2.dgn  
PLOT SCALE = 0:1,000:0  
USER NAME = USER\$