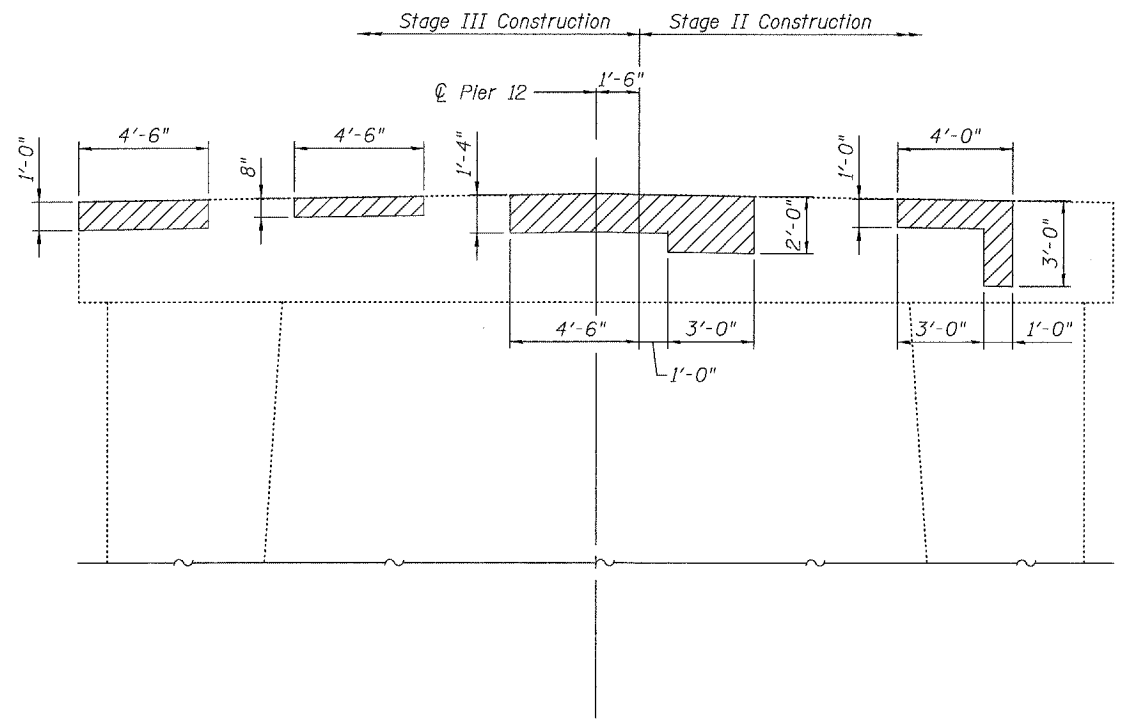


STATE OF ILLINOIS
DEPARTMENT OF TRANSPORTATION

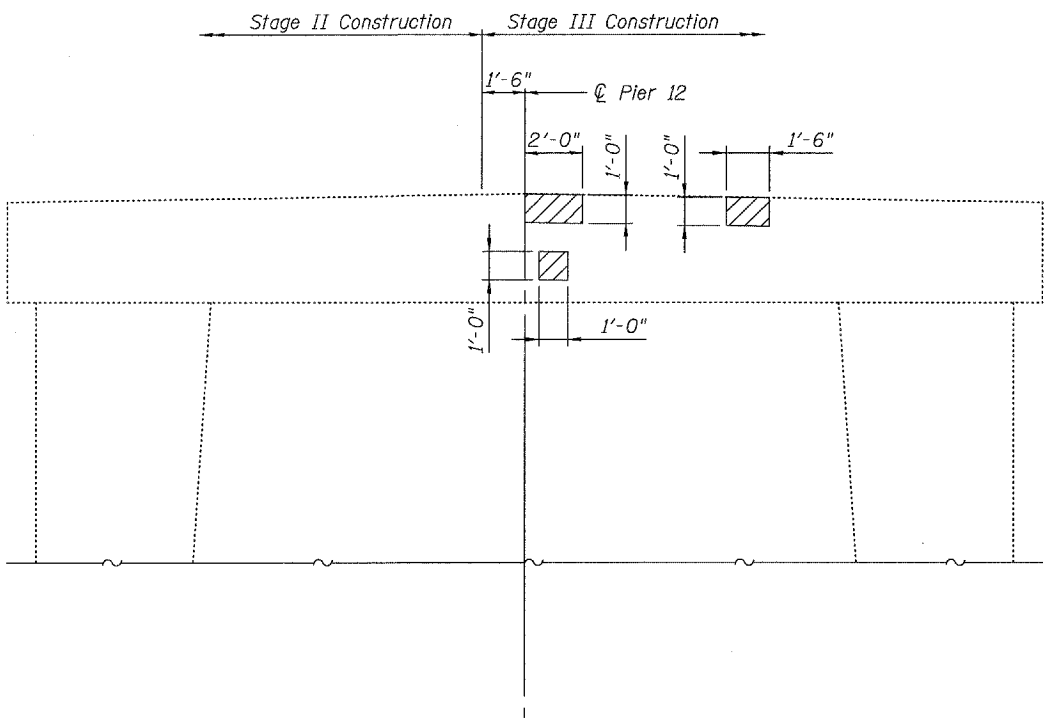
ROUTE NO.	SECTION	COUNTY	SHEET NO.	SHEET NO.
-	-	-	63	59
FED. ROAD DIST. NO. 7		ILLINOIS		FED. AID PROJECT-

SHEET NO. 35
39 SHEETS

Contract #76899



WEST SIDE PIER 12
(Looking East)



EAST SIDE PIER 12
(Looking West)

Note:
Hatched area indicates approximate area of Structural Repair of Concrete. Exact repair area to be determined by Engineer.

BILL OF MATERIAL

Structural Repair of Concrete (≤ 5")	Sq. Ft.	31
--------------------------------------	---------	----

PIER 12 CONCRETE REPAIRS
OLD U.S. ROUTE 50 OVER
SHOAL CREEK
F.A.S. ROUTE 1780 - SECTION 24-BR-2
CLINTON COUNTY
STA. 102+51.47
STRUCTURE NO. 014-0062

PLOT DATE = 05/15/2006
FILE NAME = h:\p\250004\technical\production\structural\an\014-0062\final\plans\0062-35-pier12sht.dgn
PLOT SCALE = 041/0000 ' / IN.
USER NAME = 8USER8