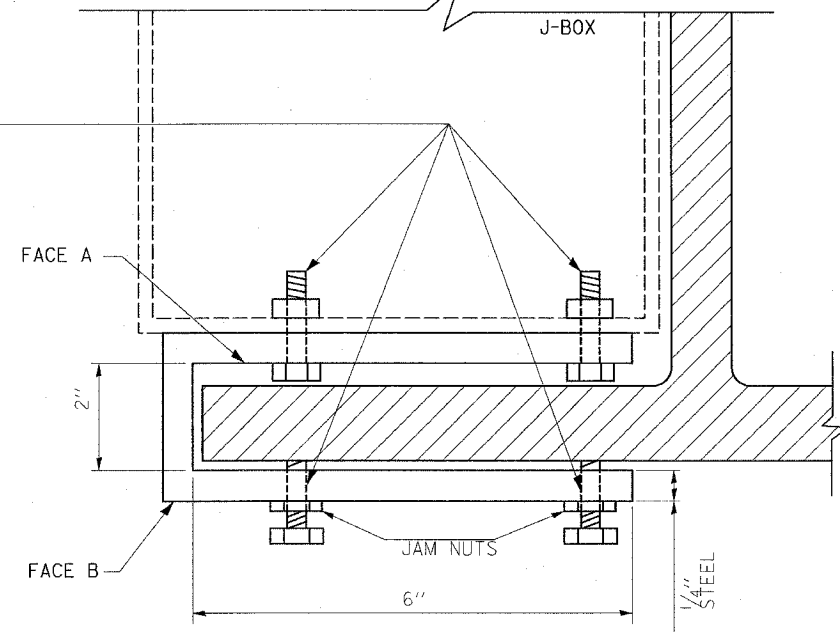
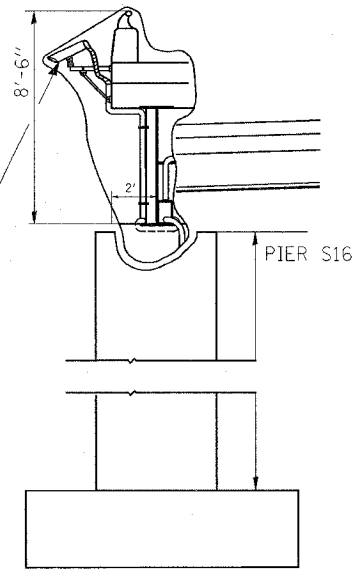


ROUTE	SECTION	COUNTY	TOTAL SHEETS	SHEET NO.
..	52	6
STA.		TO STA.		
FED. ROAD DIST. NO. - ILLINOIS FED. AID PROJECT				
FAI 55/70			CONTRACT# 76973	
DIST 8 ITS 2006-2				
MADISON & ST. CLAIR & CITY OF ST. LOUIS, MO				

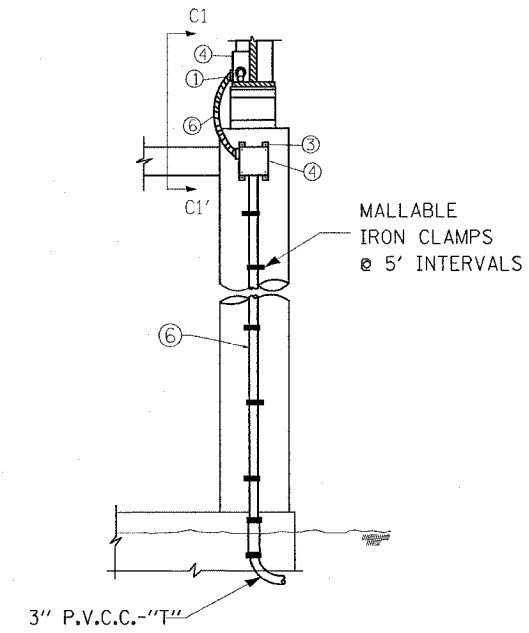
3/8" STAINLESS STEEL-HEX HEAD BOLTS (LENGTH AS REQUIRED)



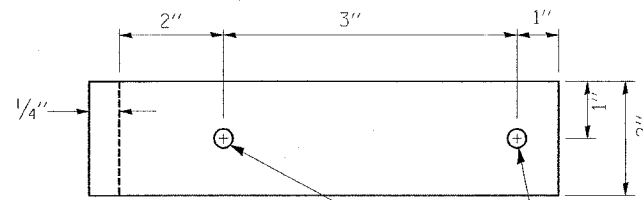
NEW VIDEO DETECTION SYSTEM PARAPET MOUNTED



PARAPET MOUNT DETAIL

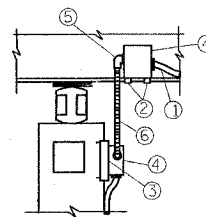


SECTION C-C'



13/32" Ø HOLES FOR FACE A.
FACE B-HOLES SHALL BE TAPPED FOR 3/8" SET SCREW DIA. AS REQUIRED

VIEW OF FACE A & B CHANNEL CLAMP DETAIL D



SECTION C1-C1'

LEGEND

1. 3" PVCC-"ATS"
2. CHANNEL CLAMPS-2 REQUIRED (SEE DETAIL)
3. 1 1/2" X 1 1/2" 12 GAUGE GALV. STEEL CHANNEL
4. 18" X 18" X 10" STAINLESS STEEL JUNCTION
5. CONDULET
6. LIQUID TIGHT FLEXIBLE CONDUIT

PLOT DATE = 5/23/2006
PLOT SCALE = 1/8" = 1'-0"
REFERENCE = #REF#

REVISIONS	
NAME	DATE

ILLINOIS DEPARTMENT OF TRANSPORTATION
PARAPET MOUNT VIDEO DETECTION DETAILS
FAI 55/70
SECTION DIST 8 ITS 2006-2
MADISON AND ST. CLAIR COUNTY
AND ST. LOUIS, MO
DATE 5/23/2006