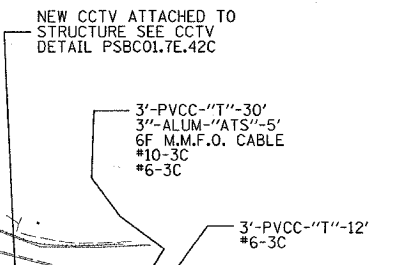
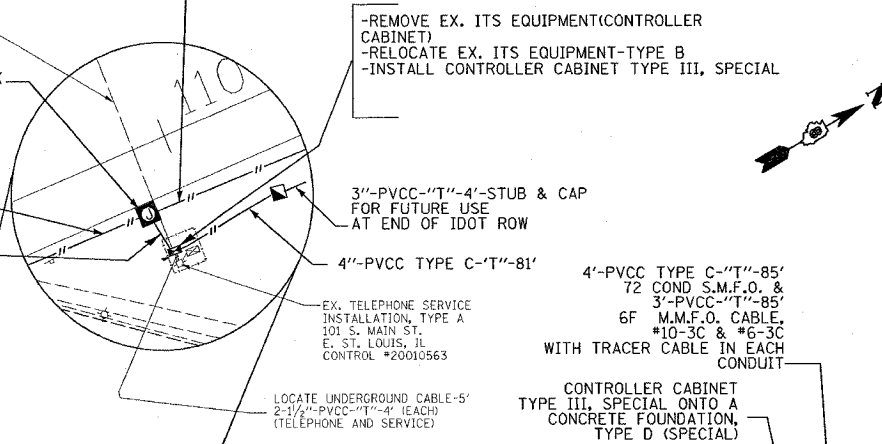
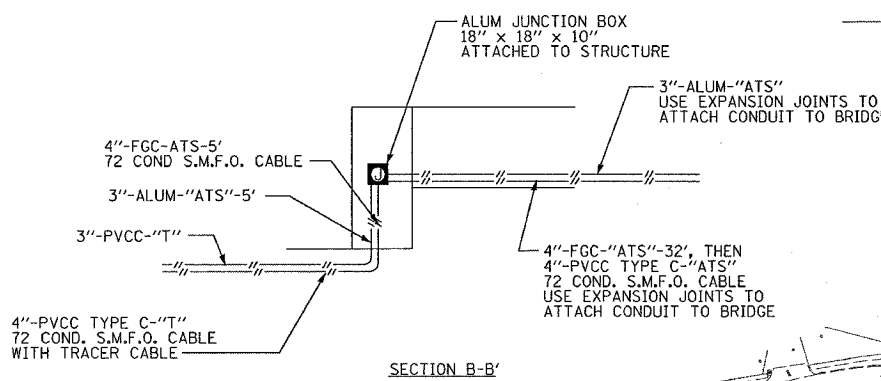
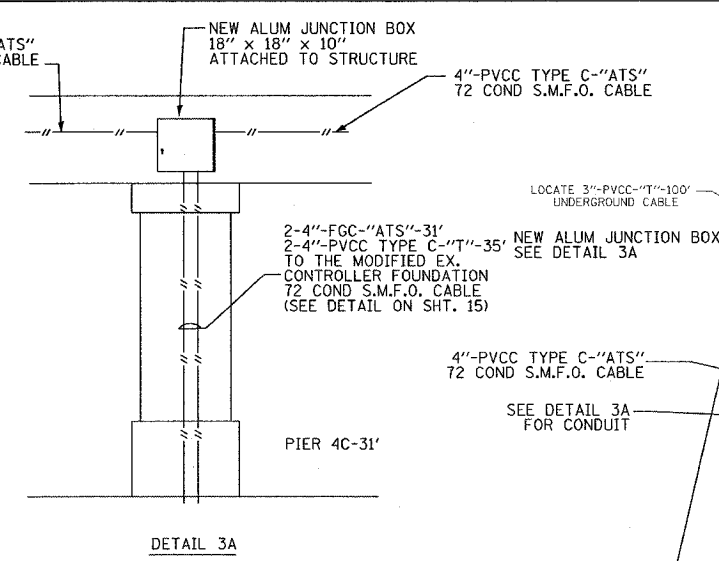
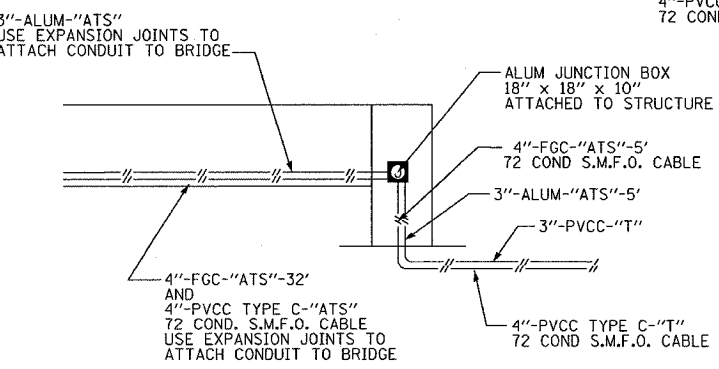
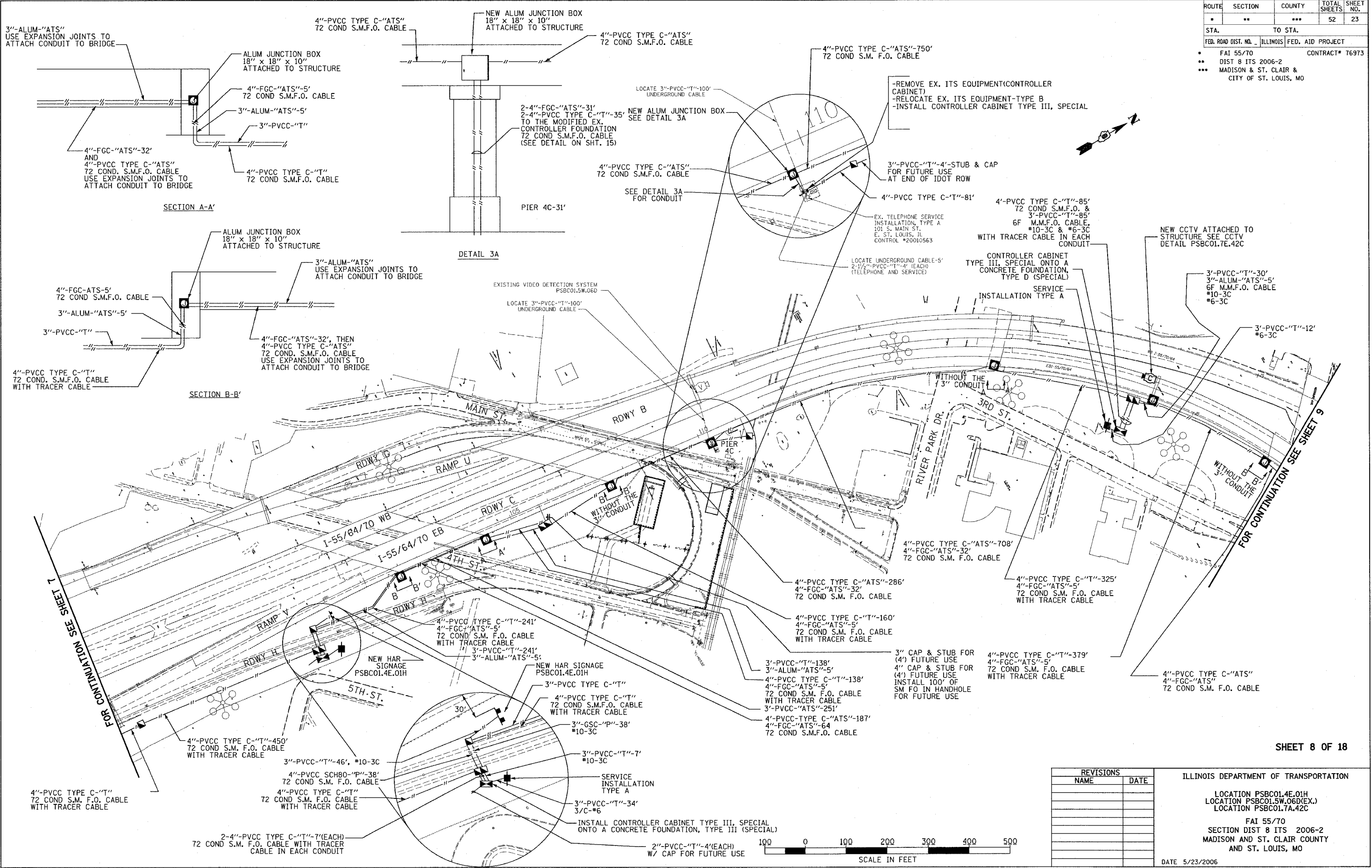


ROUTE	SECTION	COUNTY	TOTAL SHEETS	SHEET NO.
FAI 55/70	DIST 8 ITS 2006-2	MADISON & ST. CLAIR & CITY OF ST. LOUIS, MO	52	23
FED. ROAD DIST. NO.		ILLINOIS FED. AID PROJECT	CONTRACT# 76973	



REVISIONS	
NAME	DATE

ILLINOIS DEPARTMENT OF TRANSPORTATION

LOCATION PSBC01.4E.01H
LOCATION PSBC01.5W.06D(EX.)
LOCATION PSBC01.7A.42C

FAI 55/70
SECTION DIST 8 ITS 2006-2
MADISON AND ST. CLAIR COUNTY
AND ST. LOUIS, MO

DATE 5/23/2006

PLOT DATE = 5/23/2006
FILE NAME = c:\projects\aed11605\aloe\psbc01\psbc01.7a.42c.dgn
PLOT SCALE = 100.0042 : 1 IN.
REFERENCE = BRIF#

