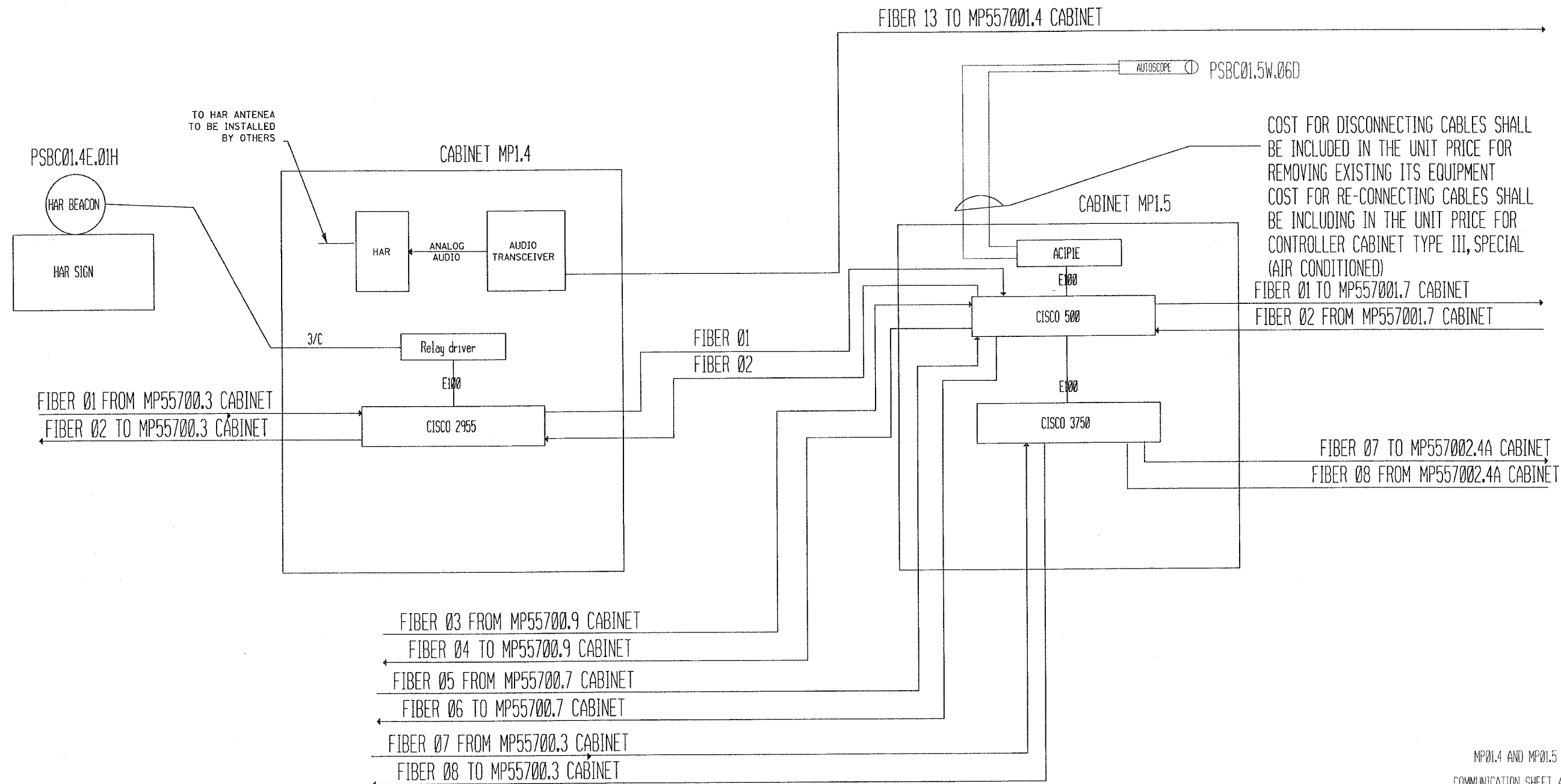


ROUTE	SECTION	COUNTY	TOTAL SHEETS	SHEET NO.
•	••	•••	52	38
STA.	TO STA.			
FED. ROAD DIST. NO.	ILLINOIS	FED. AID PROJECT		
•	FAI 55/70	CONTRACT# 76973		
••	DIST 8 ITS 2006-2			
•••	MADISON & ST. CLAIR & CITY OF ST. LOUIS, MO			



MP01.4 AND MP01.5
COMMUNICATION SHEET 4 OF 10

REVISIONS		ILLINOIS DEPARTMENT OF TRANSPORTATION 1.PSBC CABINET (HAR) MP1.4 PSBC01.4E.01H 2.PSBC CABINET CABINET MP1.4 HAR SECTION FAI 55/70 DIST 8 ITS 2006-2 MADISON AND ST. CLAIR COUNTY AND ST. LOUIS, MO DATE 6/28/2006	3.PSBC CABINET MP1.5 PSBC01.5W.06D
NAME	DATE		

PLOT DATE = 6/28/2006
FILE NAME = c:\projects\11095\11095.dwg
REFERENCE = REF1