

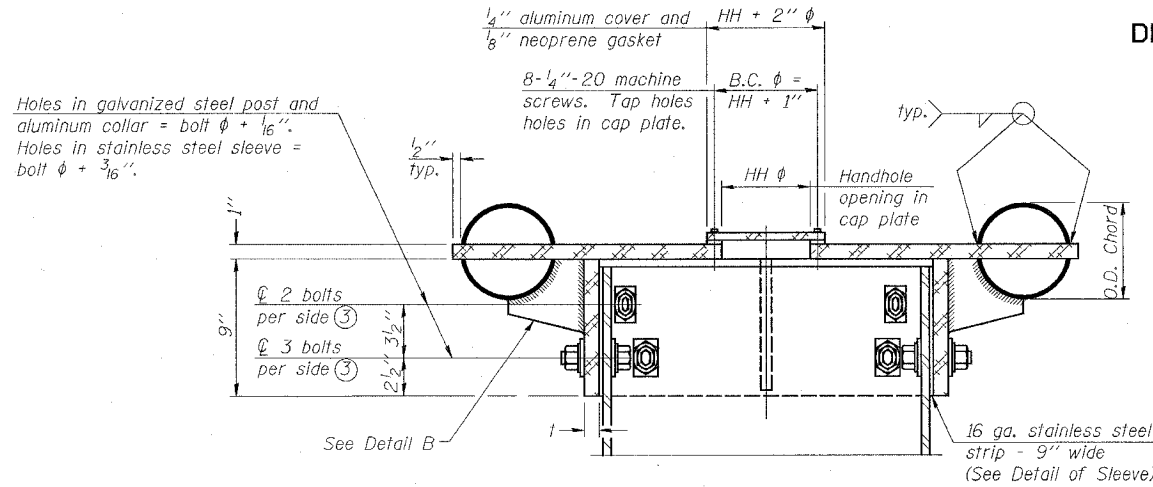
STATE OF ILLINOIS
DEPARTMENT OF TRANSPORTATION

** DIST 8 ITS 2006-2
*** MADISON & ST. CLAIR &
CITY OF ST. LOUIS, MO

ROUTE NO.	SECTION	COUNTY	TOTAL SHEETS	SHEET NO.
FAI 55/70	**	***	52	49

SHEET NO. 4
6 SHEETS

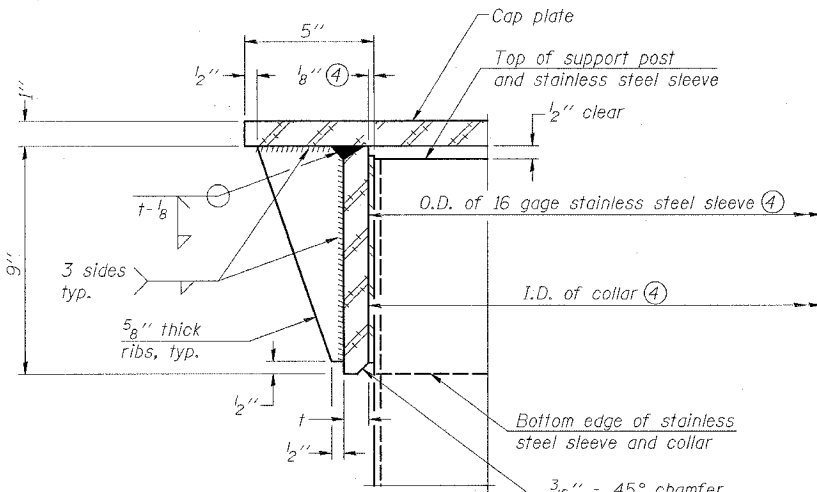
Contract #76973



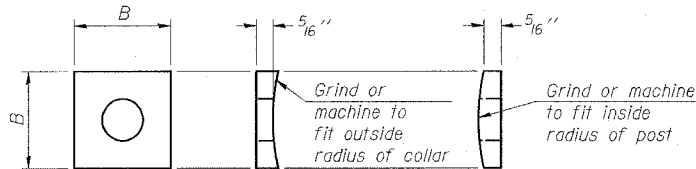
④ Collar I.D. shall be manufactured to correspond to O.D. of actual galvanized post and stainless steel sleeve plus 1/8" (+1/16"). Maximum gap between post and collar at any location equals 1/8" before tightening bolts.

SECTION B-B

Bolts, washers (including contoured washers), and locknuts shall be stainless steel.



DETAIL A
(Two locations)



CONTOURED WASHERS

Bolt Size	Contoured Washers	
	Hole Dia.	B
7/8"	1"	2 1/2"

DESIGNED	200
CHECKED	EXAMINED
DRAWN	PASSED
CHECKED	ENGINEER OF BRIDGES AND STRUCTURES

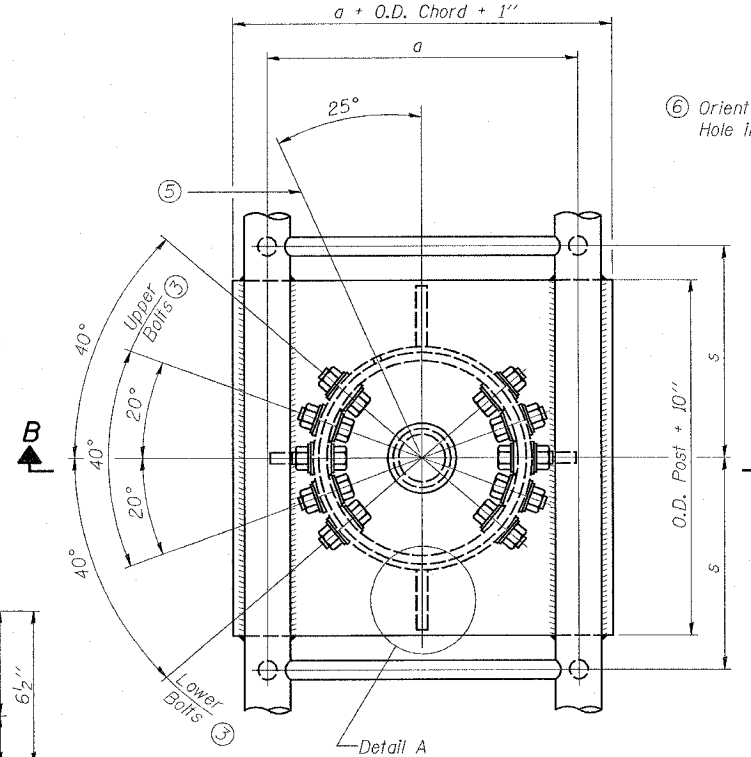
OSF-A-3-VMS

1-7-05

DETAIL OF STAINLESS STEEL SLEEVE

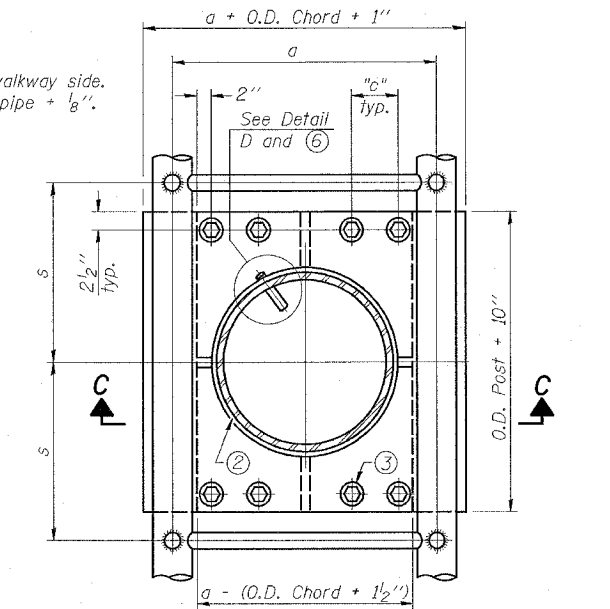
Weld to post after galvanizing. (Prepare post surface to insure tight, uniform fit and allow welding.) Welds to be 1 1/2" long at 6" cts. along top edge and at 1/4" opening.

NUMBER	REVISION	DATE

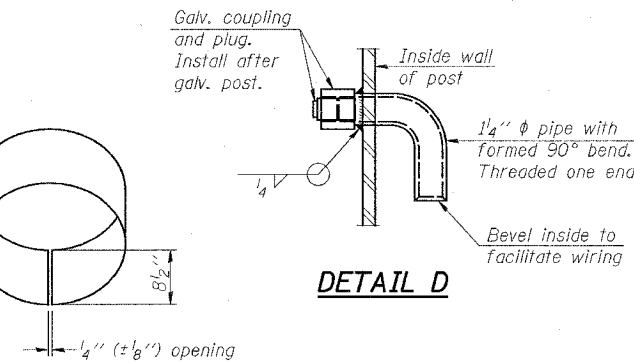


PLAN VIEW - TOP OF COLUMN

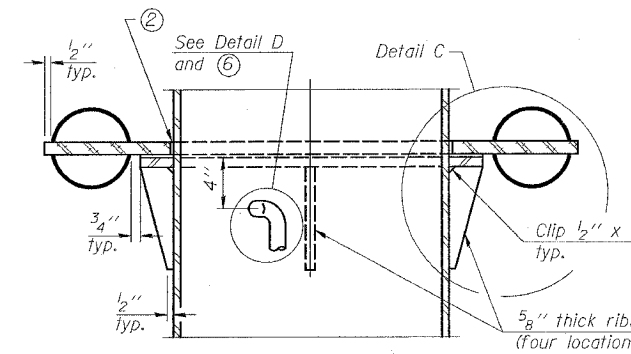
⑤ Optional full penetration weld in collar. (Two locations maximum....(180° apart)....X-ray or UT 100%)



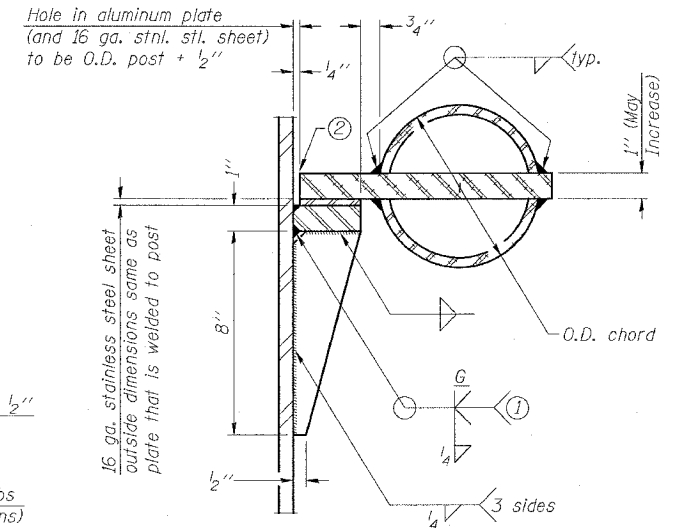
SECTION THRU POST ABOVE LOWER CHORDS



DETAIL D



SECTION C-C



DETAIL C

- ① Grind top if required to fully seat aluminum plate and stainless steel sheet.
- ② After tightening lower connection bolts, fill gap with non-hardening, silicone caulk suitable for exterior exposure and acceptable to the Engineer. Cost is included in Overhead Sign Structure Butterfly.

**BUTTERFLY SIGN STRUCTURES
JUNCTURE DETAILS FOR FRONT ACCESS VMS
ALUMINUM TRUSS & STEEL POST**

Truss Type	Post Size	Upper & Lower Connection Bolt Diameter ③	Lower Juncture Bolt Spacing Dimension "c" ③	Opening in Cap Plate "HH"	Collar Thickness (t)	Side Ribs	
						x	y
I-F-A	16" φ (83#1)	7/8"	3 1/4"	8"	5/8"	1 3/4"	2 1/4"

③ Upper and lower connection bolts in collar and bolts at lower chord connection must be high strength with matching locknuts. Connection bolts shall have two stainless steel flat washers each.

FAI 55/70
SECTION DIST 8 ITS 2006-2
MADISON AND ST. CLAIR COUNTY
AND ST. LOUIS, MO

PLOT DATE = 5/23/2006
FILE NAME = c:\p\o\mets\ad1886\electrical\trsp1.dwg
PLOT SCALE = 100.4623 / IN.
REFERENCE = #REF#