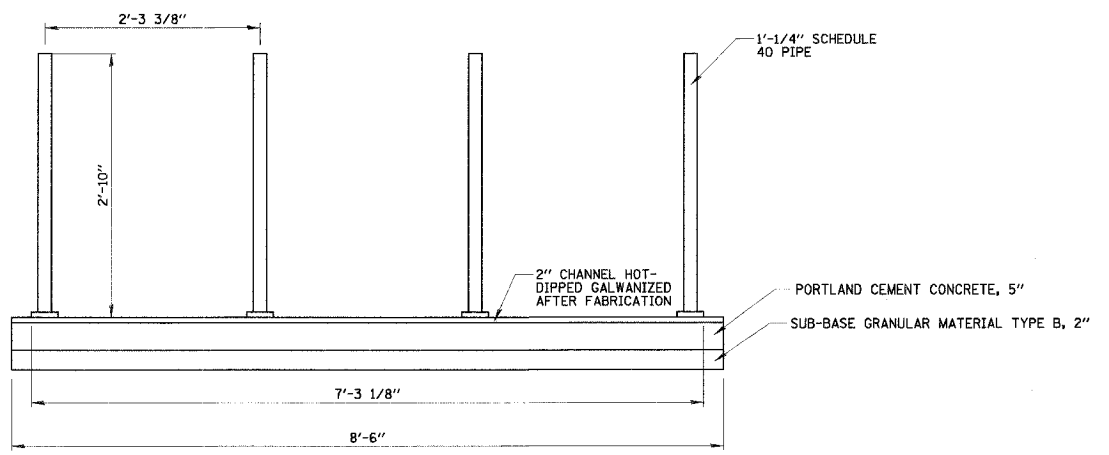
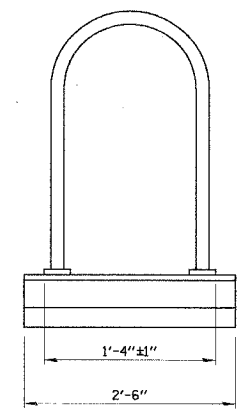


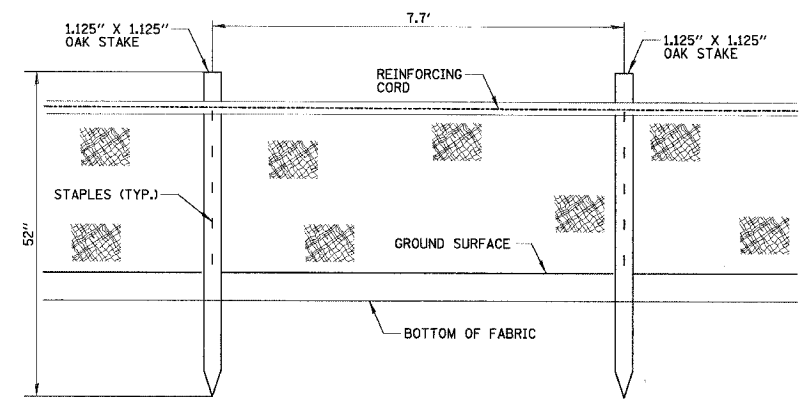
**GENERAL NOTES**

1. STAKED HAY BALES SHALL BE MAINTAINED UNTIL THE AREA TRIBUTARY TO STRUCTURE HAS GROWING GROUND COVER.

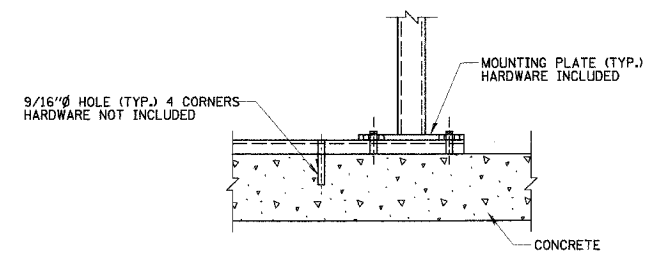
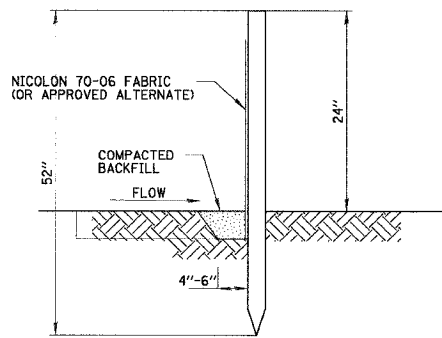
**INLET AND PIPE PROTECTION**  
N.T.S.



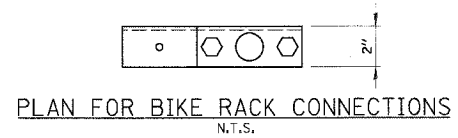
**BIKE RACK**  
N.T.S.



**PERIMETER EROSION BARRIER**  
N.T.S.



**SECTION**  
N.T.S.



| REVISIONS NAME      | DATE   |
|---------------------|--------|
| STRUCTURE REVISIONS | 7/5/02 |
|                     |        |
|                     |        |
|                     |        |
|                     |        |
|                     |        |
|                     |        |
|                     |        |
|                     |        |

ILLINOIS DEPARTMENT OF TRANSPORTATION

**CONSTRUCTION DETAILS**

SCALE: VERT. N.T.S.  
HORIZ. N.T.S.

DATE 5/23/2006

DRAWN BY JOC  
CHECKED BY LMF

N:\B\G\K\K\101-25\DESIGN\0125-0PW.DET