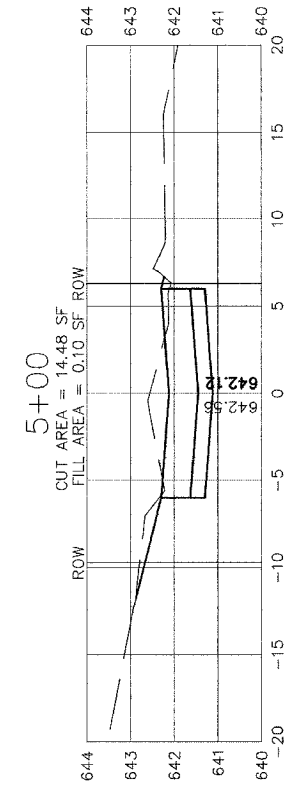
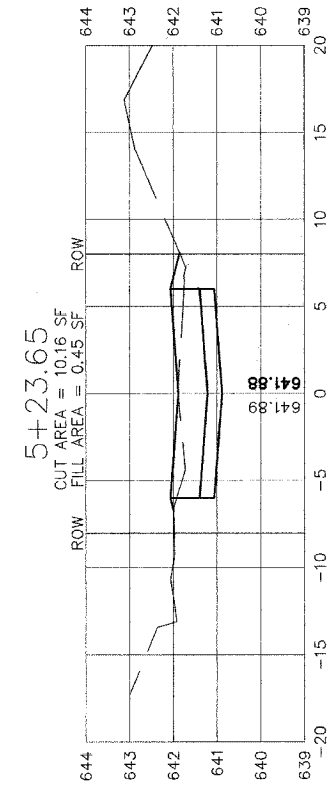
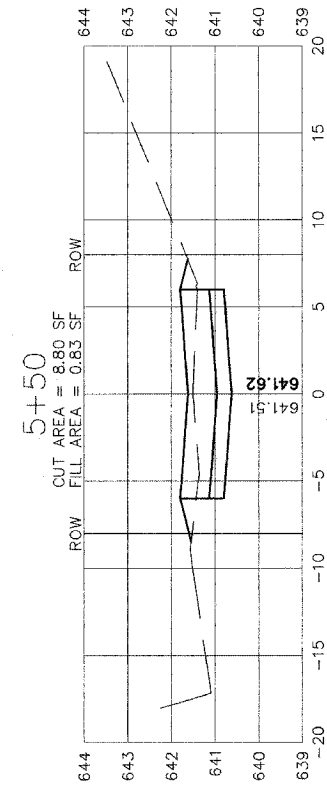
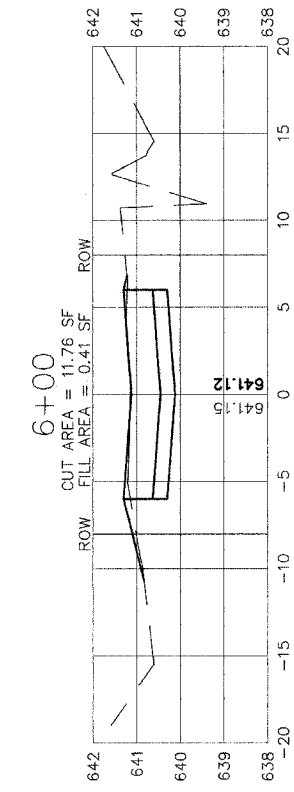
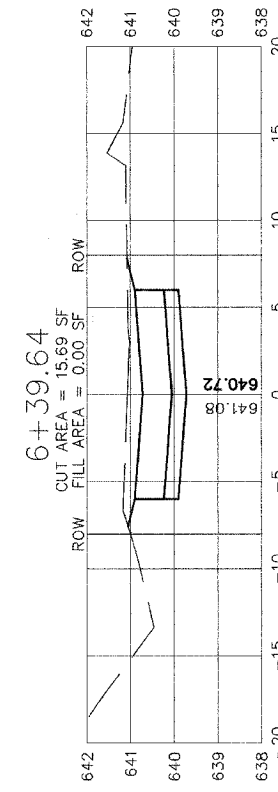
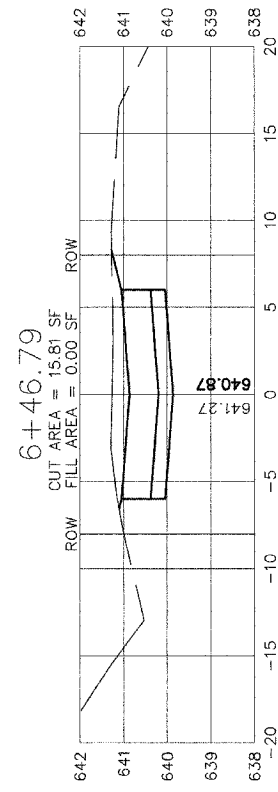
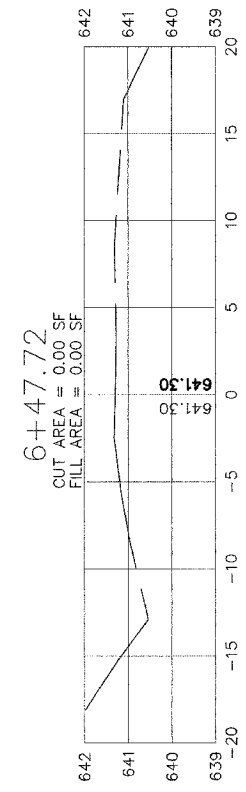


F.A. R.T.E.	SECTION	COUNTY	TOTAL SHEETS	SHEET NO.
	05-00194-00-RP	COOK	58	37
STA.		TO STA.		
FED. ROAD DIST. NO. _		ILLINOIS	FED. AID PROJECT	

ORIGINAL SURVEY	BY	DATE
NO.		
FINAL SURVEY	BY	DATE
NO.		
SURVEYED		
NOTE BOOK		
TEMPLATE		
AREAS		
AREAS CHECKED		

ORIGINAL SURVEY	BY	DATE
NO.		
FINAL SURVEY	BY	DATE
NO.		
SURVEYED		
NOTE BOOK		
TEMPLATE		
AREAS		
AREAS CHECKED		

PLOT DATE = 2/13/2006 3:06:57 PM
 FILE NAME = W:\ENGINEERING\LAND PROJECTS 2005\02-RI-ALLEY\DWG\02-ALLEY.DWG
 PLOT SCALE = 1" = 20'
 USER NAME = JUDILES



REVISIONS	NAME	DATE

ILLINOIS DEPARTMENT OF TRANSPORTATION
 CITY OF DES PLAINES - ALLEY IMPROVEMENTS
 ON RR - CENTER ALLEY
 HENRY TO END
 CROSS SECTIONS
 STA 5+00 TO 6+46.79
 SCALE: VERT. 1" = 2'
 HORIZ. 1" = 10'
 DATE 2-17-06
 DRAWN BY BLS
 CHECKED BY AJD