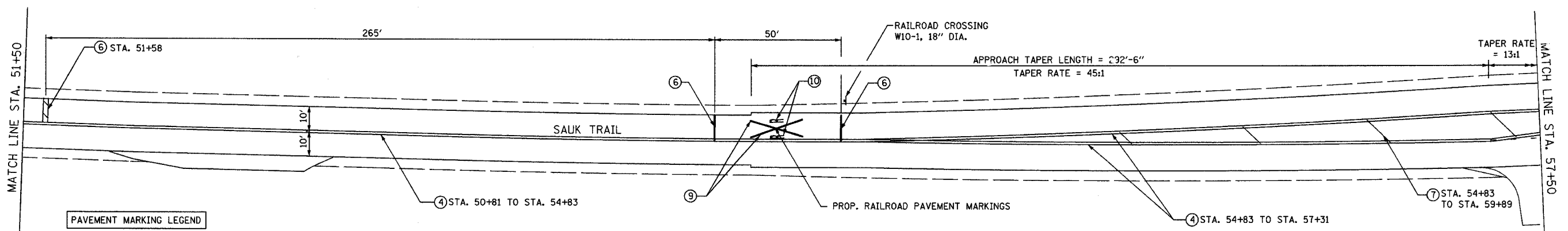


F.A. RTE.	SECTION	COUNTY	TOTAL SHEETS	SHEET NO.
3753	04-00037-00-WR	WILL	92	30
STA. 51+50		TO STA. 63+50		
FED. ROAD DIST. NO.		ILLINOIS FED. AID PROJECT		
83858				



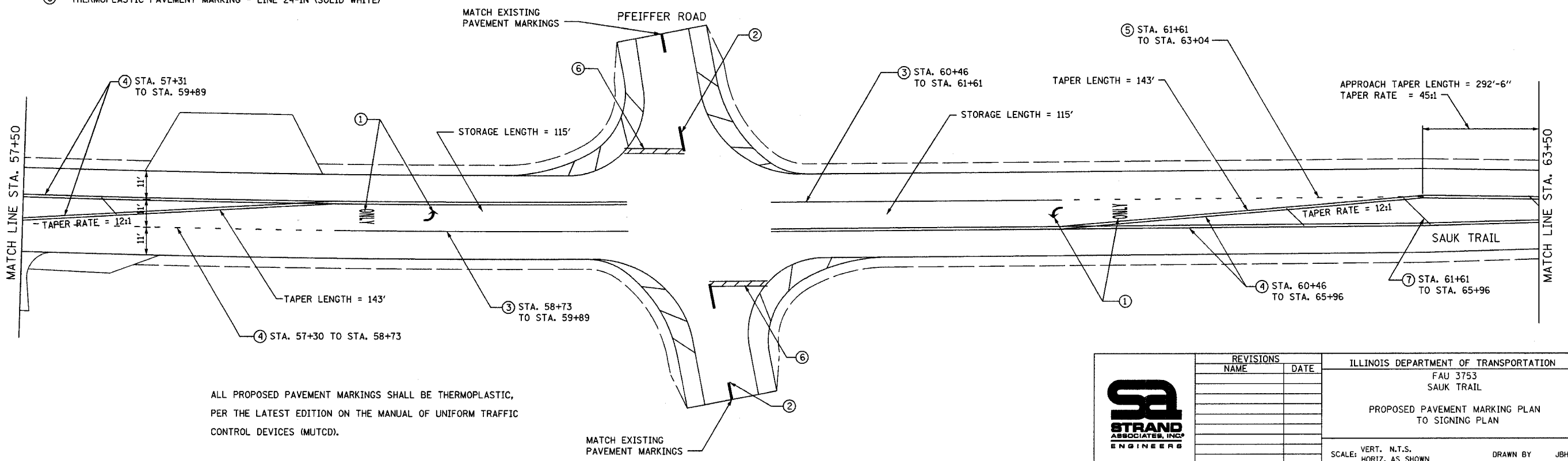
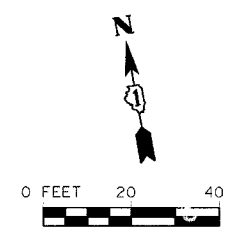
PAVEMENT MARKING LEGEND

ALL PROPOSED PAVEMENT MARKINGS SHALL BE THERMOPLASTIC, PER THE LATEST EDITION ON THE MANUAL OF UNIFORM TRAFFIC CONTROL DEVICES (MUTCD).

- ① THERMOPLASTIC PAVEMENT MARKING - LETTERS AND SYMBOLS (WHITE LARGE SIZE, 8")
- ② THERMOPLASTIC PAVEMENT MARKING - LINE 4-IN (YELLOW SKIP DASH, 10' DASH, 30' SPACE)
- ③ THERMOPLASTIC PAVEMENT MARKING - LINE 6-IN (SOLID WHITE)
- ④ THERMOPLASTIC PAVEMENT MARKING - LINE 4-IN (2 SOLID YELLOW SPACED 11-IN C-C)
- ⑤ THERMOPLASTIC PAVEMENT MARKING - LINE 6-IN (DOTTED WHITE, 2' STRIPE, 6' GAP)
- ⑥ THERMOPLASTIC PAVEMENT MARKING - LINE 24-IN (SOLID WHITE)
- ⑦ THERMOPLASTIC PAVEMENT MARKING - LINE 12-IN (SOLID YELLOW AT 45°, 75° SPACE OR A MIN OF 5 EVENLY SPACED)
- ⑧ THERMOPLASTIC PAVEMENT MARKING - LINE 4-IN (YELLOW, 10' DASH, 30' SPACE, AND SOLID YELLOW: 5 1/2-IN C-C BETWEEN SOLID AND SKIP DASH LINES)
- ⑨ THERMOPLASTIC PAVEMENT MARKING - LINE 16-IN (SOLID WHITE)
- ⑩ THERMOPLASTIC PAVEMENT MARKING - LETTERS AND SYMBOLS (WHITE 6")

NOTES:

1. PAVEMENT MARKINGS ACCORDING TO DISTRICT ONE TYPICAL PAVEMENT MARKINGS DETAIL UNLESS OTHERWISE NOTED.
2. STOP BARS SHALL BE LOCATED FOUR FEET IN ADVANCE OF CROSSWALK UNLESS OTHERWISE NOTED.
3. PROPOSED CROSSWALK STRIPING SHALL BE CENTERED ON THE CURB DEPRESSIONS AT CORNERS, A MINIMUM OF SIX FEET APART, OR AS DIRECTED BY THE ENGINEER.
4. PAVEMENT MARKINGS AT SIDE STREETS SHALL MATCH EXISTING AT PROJECT LIMITS.



ALL PROPOSED PAVEMENT MARKINGS SHALL BE THERMOPLASTIC, PER THE LATEST EDITION ON THE MANUAL OF UNIFORM TRAFFIC CONTROL DEVICES (MUTCD).



REVISIONS	
NAME	DATE

ILLINOIS DEPARTMENT OF TRANSPORTATION	
FAU 3753	
SAUK TRAIL	
PROPOSED PAVEMENT MARKING PLAN TO SIGNING PLAN	
VERT. N.T.S.	DRAWN BY JBH
SCALE: HORIZ. AS SHOWN	CHECKED BY JRM
DATE 04/21/2006	

TIME: 02:41:20 PM

DATE: 06/27/06

FILENAME: s:\06\04\4053\04053\pavement\signing\pmark.dgn