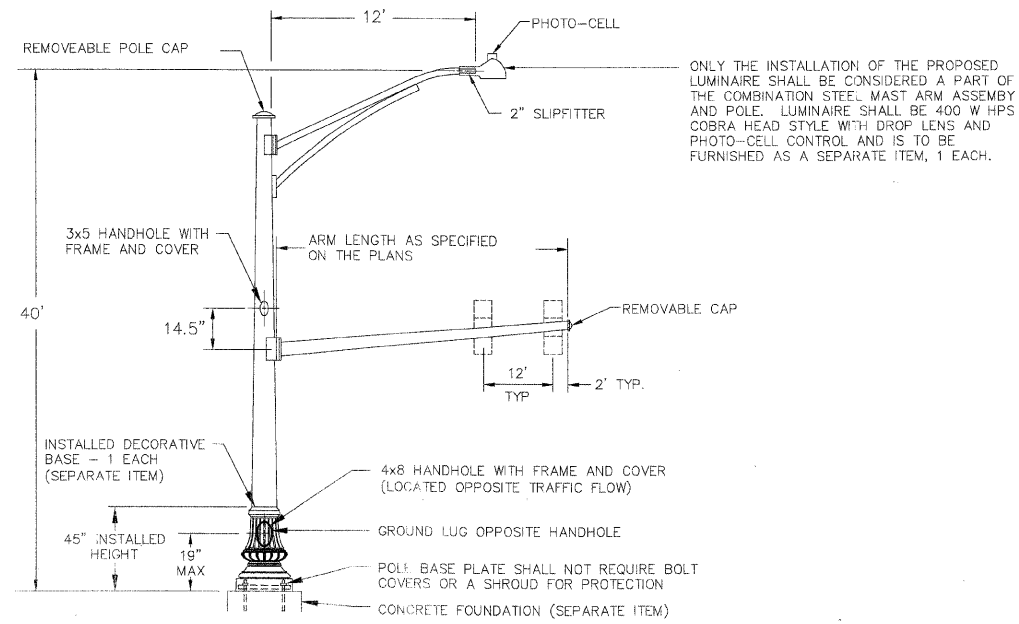
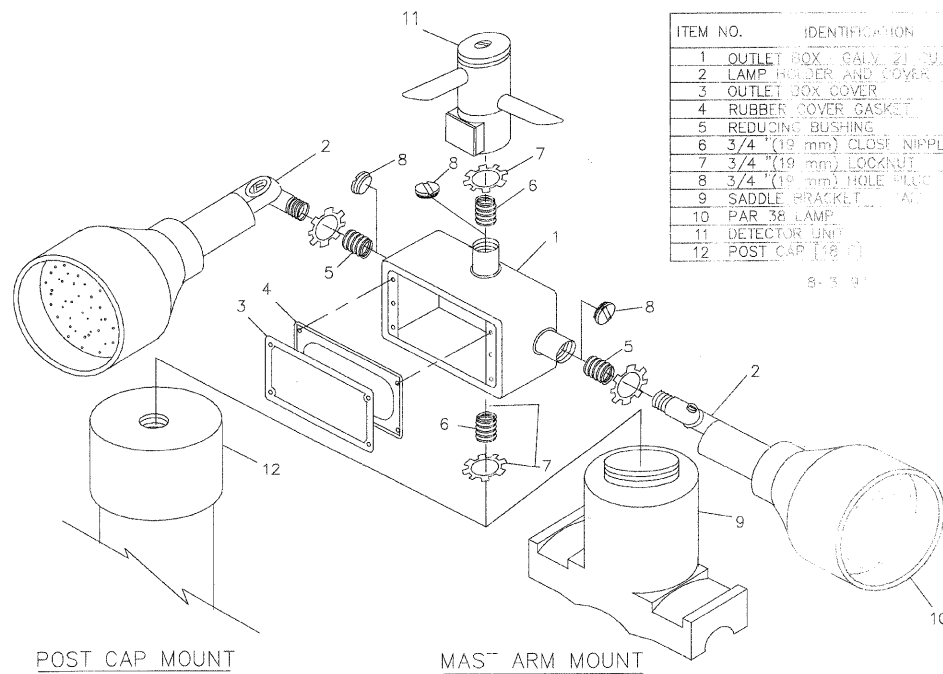


**TRAFFIC SIGNAL MAST ARM POLE
 DECORATIVE BASE DETAIL**



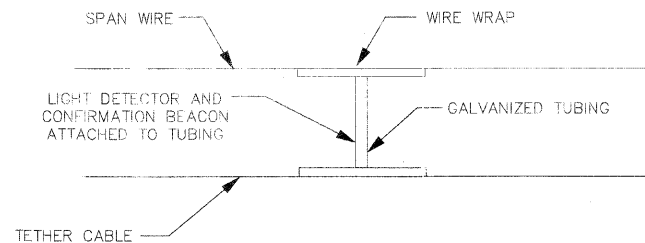
**DETAIL OF COMBINATION STEEL MAST ARM
 ASSEMBLY AND POLE**
 COLOR = GLOSS BLACK



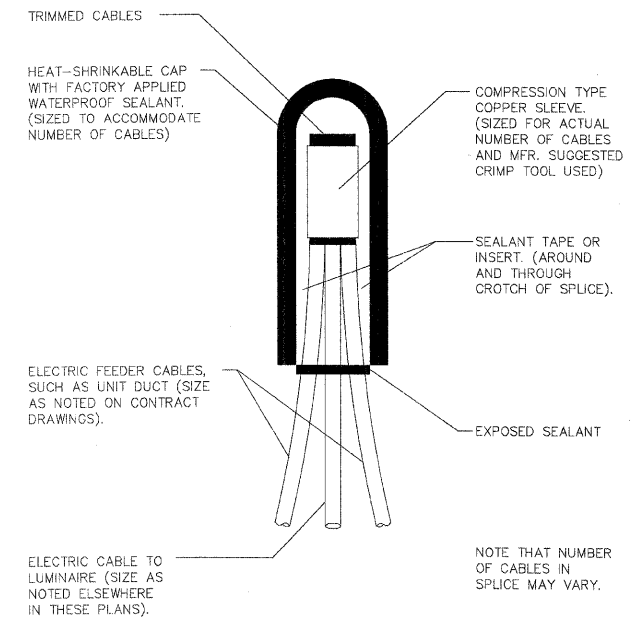
ITEM NO.	IDENTIFICATION
1	OUTLET BOX - GALV. 21 UN. (0.000344 CU-M)
2	LAMP HOLDER AND COVER
3	OUTLET BOX COVER
4	RUBBER COVER GASKET
5	REDUCING BUSHING
6	3/4" (19 mm) CLOSE NIPPLE
7	3/4" (19 mm) LOCKNUT
8	3/4" (19 mm) HOLE PLUG
9	SADDLE BRACKET
10	PAR 38 LAMP
11	DETECTOR UNIT
12	POST CAP [18"] [1/2" T MIN.]

- NOTES:
- ALL ELECTRICAL ITEMS, EXCEPT ITEMS #2 AND #11 SHALL BE ALUMINUM OR GALVANIZED
 - ITEM #1- OZ/GEDNEY FSX-1-50 OR EQUIVALENT
 - ITEM #2- MULBERRY CON-O-SHADE LAMP SHIELD OR EQUIVALENT
 - ITEM #9- "BAND-IT" SADDLE BRACKET OR EQUIVALENT
 - IF A POST MOUNTING IS SPECIFIED, ITEM #9 SHALL NOT BE REQUIRED. THE DETECTOR UNIT SHALL BE MOUNTED DIRECTLY ON TOP OF THE CAP BY DRILLING AND TAPPING A 3/4" (19 mm) HOLE WITH PIPE THREADS. THE POST CAP SHALL EITHER BE SCREWED TO THE TOP OF THE POST OR A MINIMUM OF 3 TIGHTENING SCREWS SHALL BE REQUIRED ON EACH CAP

EMERGENCY VEHICLE DETECTOR WITH CONFIRMATION BEACON MOUNTING DETAIL



**LIGHT DETECTOR AND
 CONFIRMATION BEACON MOUNTING
 FOR TEMPORARY TRAFFIC SIGNALS**
 (NOT TO SCALE)



SPLICING ELECTRIC CABLES BASIC MATERIALS AND METHODS
 N.T.S.

REVISIONS		DATE	VERT. SCALE: NONE	DRAWN BY: AC
			HORZ. SCALE: NONE	CHECKED BY: AS
			DATE: SEPTEMBER 10, 2005	

DIVISION OF TRANSPORTATION

**STANDARD TRAFFIC SIGNAL
 DESIGN DETAILS**